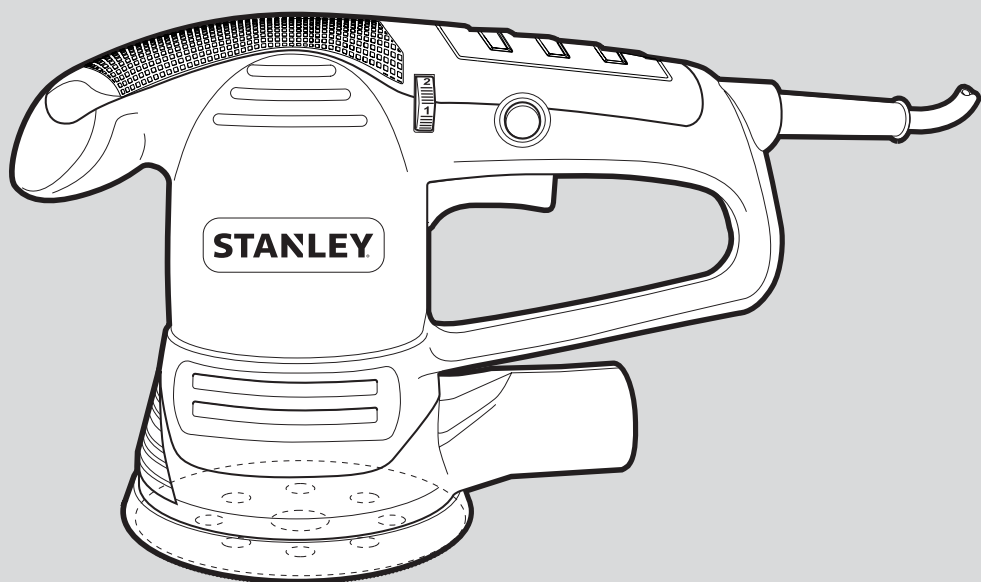
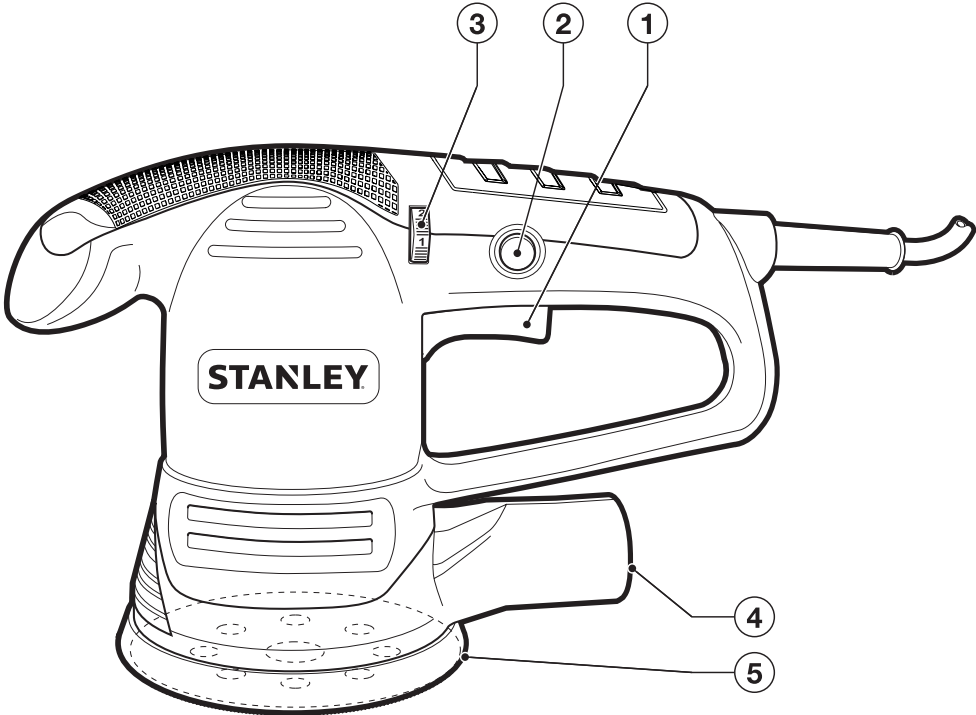


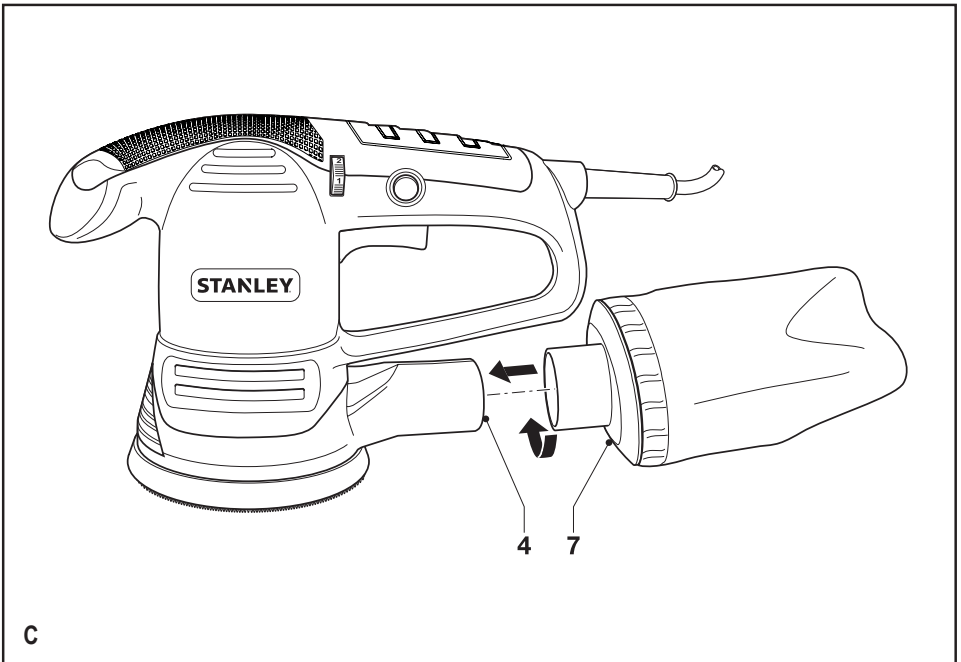
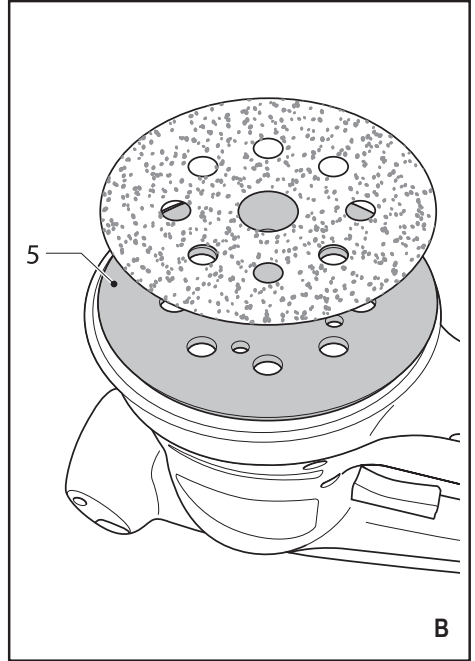
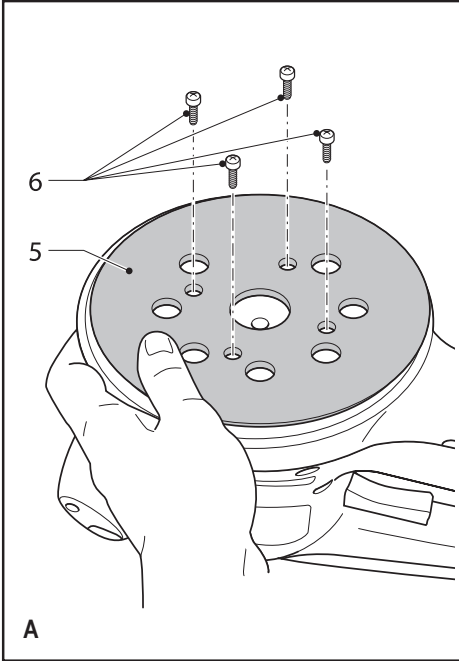
# STANLEY®

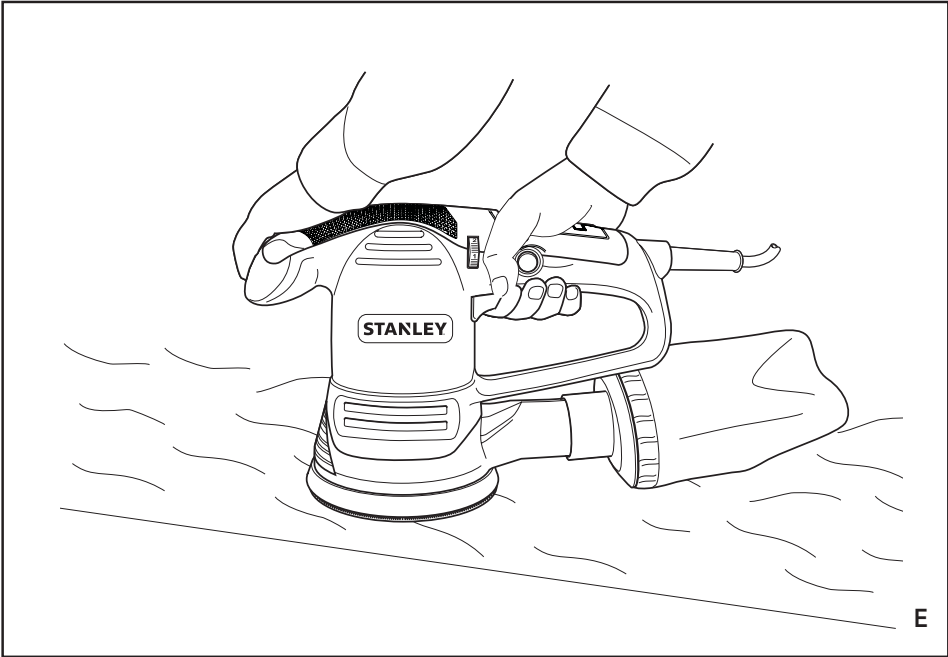
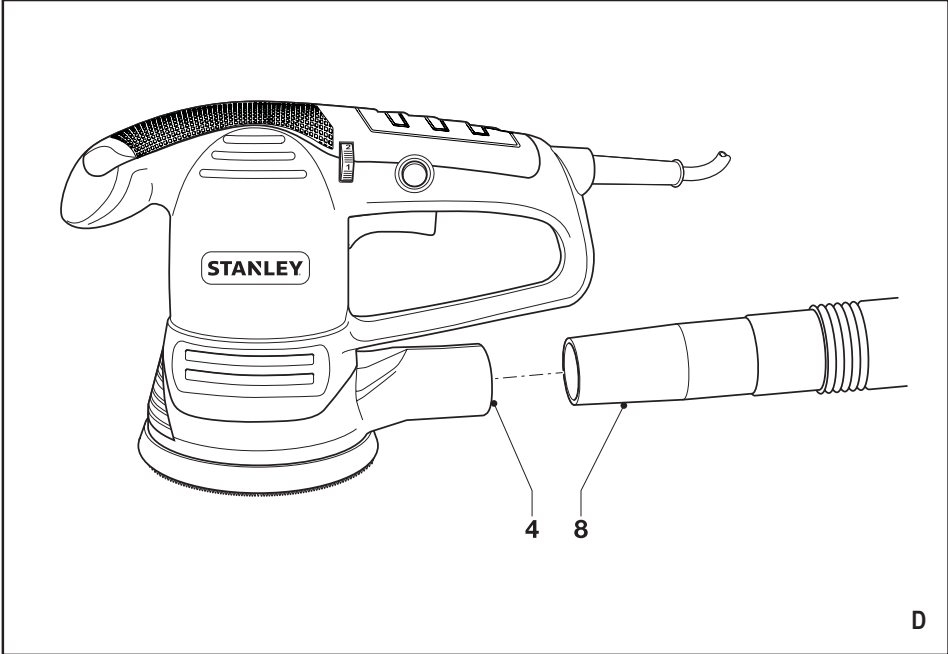


**SRS480**

English	Page	05
Turkish	Page	10
Russian	Page	16
Ukrainian	Page	22







## Intended use

Your Stanley SRS480 Sander has been designed for sanding wood, metal, plastics and painted surfaces. This tool is intended for professional use.

## Safety instructions

### General power tool safety warnings



**Warning! Read all safety warnings and all instructions.** Failure to follow the warnings and instructions listed below may result in electric shock, fire and/or serious injury.

**Save all warnings and instructions for future reference** term "power tool" in all of the warnings listed below refers to your mains operated (corded) power tool or battery operated (cordless) power tool.

#### 1. Work area safety

- a. **Keep work area clean and well lit.** Cluttered or dark areas invite accidents.
- b. **Do not operate power tools in explosive atmospheres, such as in the presence of flammable liquids, gases or dust.** Power tools create sparks which may ignite the dust or fumes.
- c. **Keep children and bystanders away while operating a power tool.** Distractions can cause you to lose control.

#### 2. Electrical safety

- a. **Power tool plugs must match the outlet. Never modify the plug in any way. Do not use any adapter plugs with earthed (grounded) power tools.** Unmodified plugs and matching outlets will reduce risk of electric shock.
- b. **Avoid body contact with earthed or grounded surfaces such as pipes, radiators, ranges and refrigerators.** There is an increased risk of electric shock if your body is earthed or grounded.
- c. **Do not expose power tools to rain or wet conditions.** Water entering a power tool will increase the risk of electric shock.
- d. **Do not abuse the cord. Never use the cord for carrying, pulling or unplugging the power tool. Keep cord away from heat, oil, sharp edges or moving parts.** Damaged or entangled cords increase the risk of electric shock.
- e. **When operating a power tool outdoors, use an extension cord suitable for outdoor use.** Use of a

cord suitable for outdoor use reduces the risk of electric shock.

- f. **If operating a power tool in a damp location is unavoidable, use a residual current device (RCD) protected supply.** Use of an RCD reduces the risk of electric shock.
- ### 3. Personal safety
- a. **Stay alert, watch what you are doing and use common sense when operating a power tool. Do not use a power tool while you are tired or under the influence of drugs, alcohol or medication.** A moment of inattention while operating power tools may result in serious personal injury.
  - b. **Use safety equipment. Always wear eye protection.** Safety equipment such as dust mask, non-skid safety shoes, hard hat, or hearing protection used for appropriate conditions will reduce personal injuries.
  - c. **Prevent unintentional starting. Ensure the switch is in the off-position before connecting to power source and/or battery pack, picking up or carrying the tool.** Carrying power tools with your finger on the switch or energising power tools that have the switch on invites accidents.
  - d. **Remove any adjusting key or wrench before turning the power tool on.** A wrench or a key left attached to a rotating part of the power tool may result in personal injury.
  - e. **Do not overreach. Keep proper footing and balance at all times.** This enables better control of the power tool in unexpected situations.
  - f. **Dress properly. Do not wear loose clothing or jewellery. Keep your hair, clothing and gloves away from moving parts.** Loose clothes, jewellery or long hair can be caught in moving parts.
  - g. **If devices are provided for the connection of dust extraction and collection facilities, ensure these are connected and properly used.** Use of dust collection can reduce dust-related hazards.
- ### 4. Power tool use and care
- a. **Do not force the power tool. Use the correct power tool for your application.** The correct power tool will do the job better and safer at the rate for which it was designed.
  - b. **Do not use the power tool if the switch does not turn it on and off.** Any power tool that cannot be controlled with the switch is dangerous and must be repaired.

- c. **Disconnect the plug from the power source before making any adjustments, changing accessories, or storing power tools.** Such preventive safety measures reduce the risk of starting the power tool accidentally.
  - d. **Store idle power tools out of the reach of children and do not allow persons unfamiliar with the power tool or these instructions to operate the power tool.** Power tools are dangerous in the hands of untrained users.
  - e. **Maintain power tools. Check for misalignment or binding of moving parts, breakage of parts and any other condition that may affect the power tools operation. If damaged, have the power tool repaired before use.** Many accidents are caused by poorly maintained power tools.
  - f. **Keep cutting tools sharp and clean.** Properly maintained cutting tools with sharp cutting edges are less likely to bind and are easier to control.
  - g. **Use the power tool, accessories and tool bits etc., in accordance with these instructions and in the manner intended for the particular type of power tool, taking into account the working conditions and the work to be performed.** Use of the power tool for operations different from those intended could result in a hazardous situation.
- ### 5. Service
- a. **Have your power tool serviced by a qualified repair person using only identical replacement parts.** This will ensure that the safety of the power tool is maintained.

### Additional power tool safety warnings



**Warning!** Additional safety instructions for sanders

- **Hold power tool by insulated gripping surfaces, because the belt may contact its own cord.** Cutting a “live” wire may make exposed metal parts of the power tool “live” and could give the operator an electric shock.
- **Use clamps or another practical way to secure and support the workpiece to a stable platform.** Holding the work by hand or against your body leaves it unstable and may lead to loss of control.



**Warning!** Contact with or inhalation of dusts arising from sanding applications may endanger the health of the operator and possible bystanders. Wear a dust mask specifically designed for protection against dust and fumes and ensure that persons within or entering the work area are also protected.

- Thoroughly remove all dust after sanding.
- Take special care when sanding paint which is possibly lead based or when sanding some woods and metal which may produce toxic dust:
  - Do not let children or pregnant women enter the work area.
  - Do not eat, drink or smoke in the work area.
  - Dispose of dust particles and any other debris safely.
- The intended use is described in this instruction manual. The use of any accessory or attachment or performance of any operation with this tool other than those recommended in this instruction manual may present a risk of personal injury and/or damage to property.

### Residual risks

Even with the application of the relevant safety regulations and the implementation of safety devices, certain residual risks can not be avoided. These include:

- Injuries caused by touching any rotating/moving parts.
- Impairment of hearing.
- Risk of injury when changing any parts, or accessories.
- Health hazards caused by breathing dust developed when using your tool (example:- working with wood, especially oak, beech and MDF.)
- Injuries caused by prolonged use of a tool. When using any tool for prolonged periods ensure you take regular breaks.

### Safety of others

This appliance is not intended for use by persons (including children) with reduced physical, sensory or mental capabilities, or lack of experience and knowledge, unless they have been given supervision or instruction concerning use of the appliance by a person responsible for their safety.

Children should be supervised to ensure that they do not play with the appliance.

### Labels on tool

The following pictograms are shown on the tool along with the date code:



**Warning!** To reduce the risk of injury, the user must read the instruction manual.



Always wear safety goggles



Always wear safety hearing protection

### Position of date barcode

The Date Code, which also includes the year of manufacture, is printed into the housing.

Example:

2016 XX ZY  
Year of manufacturing

### Electrical safety



This tool is double insulated; therefore no earth wire is required. Always check that the power supply corresponds to the voltage on the rating plate.

- If the supply cord is damaged, it must be replaced by the manufacturer or an authorised STANLEY Service Centre in order to avoid a hazard.

### Using an extension cable

- Always use an approved extension cable suitable for the power input of this tool (see technical data). Before use, inspect the extension cable for signs of damage, wear and ageing. Replace the extension cable if damaged or defective. When using a cable reel, always unwind the cable completely. Use of an extension cable not suitable for the power input of the tool or which is damaged or defective may result in a risk of fire and electric shock.

### Features

This tool includes some or all of the following features.

1. On/off switch
2. Lock-on button
3. Variable speed control knob
4. Dust extraction outlet
5. Sanding base

### Assembly



**Warning!** Before assembly, make sure that the tool is switched off and unplugged.

### Fitting the sanding disc (fig.A)

- Place the tool on a table, with the spindle facing up.
- Place the sanding disc (5) onto the spindle.
- Secure the sanding disc using the screws (6).

### Fitting sanding sheets (fig. B)

**Warning!** Never use the tool without a sanding sheet or accessory in place.

- Press the sheet firmly and evenly onto the sanding disc (5), making sure that the holes in the sheet line up with the holes in the base.

### Fitting and removing the dustbag (fig. C)

- Fit the dustbag (7) over the dust extraction outlet (4).
- To remove the dustbag, pull it off the dust extraction outlet.

### Connecting a vacuum cleaner (fig. D)

- Insert the hose (8) of the vacuum cleaner into the dust extraction outlet (4).

### Use

**Warning!** Let the tool work at its own pace. Do not overload.

### Variable speed control

The variable speed control allows you to adapt the speed of the tool to the workpiece material.

- Set the control knob (3) to the desired setting. Use a high speed for wood, medium speed for veneer and synthetics and low speed for acrylic glass, non-ferrous metals and for removing paints.

### Switching on and off

- To switch the tool on, press the on/off switch (1).
- For continuous operation, press the lock-on button (2) and release the on/off switch..
- To switch the tool off, release the on/off switch. To switch the tool off when in continuous operation, press the on/off switch once more and release it.

### Automatic brake system

This feature keeps the speed of the disc limited as long as the tool does not touch the workpiece. As soon as the tool is placed on the workpiece, the disc will reach its normal operating speed.

### Emptying the dustbag

The dustbag should be emptied every 10 minutes.

- Shake the dustbag to empty the contents.

## Hints for optimum use (Fig. E)

- Do not exert too much pressure on the tool.
- Regularly check the condition of the sanding sheet. Replace when necessary.
- Always sand with the grain of the wood.
- When sanding new layers of paint before applying another layer, use extra fine grit.
- On very uneven surfaces, or when removing layers of paint, start with a coarse grit. On other surfaces, start with a medium grit. In both cases, gradually change to a fine grit for a smooth finish.
- Consult your retailer for more information on available accessories.

## Accessories

The performance of your tool depends on the accessory used. STANLEY accessories are engineered to high quality standards and designed to enhance the performance of your tool. By using these accessories you will get the very best from your tool.

## Maintenance

Your tool has been designed to operate over a long period of time with a minimum of maintenance. Continuous satisfactory operation depends upon proper tool care and regular cleaning.



**Warning!** Before performing any maintenance, switch off and unplug the tool.

- Regularly clean the ventilation slots in your tool using a soft brush or dry cloth.
- Regularly clean the motor housing using a damp cloth. Do not use any abrasive or solvent-based cleaner.

## Protecting the environment



Separate collection. This product must not be disposed of with normal household waste.

Should you find one day that your STANLEY product needs replacement, or if it is of no further use to you, do not dispose of it with household waste. Make this product available for separate collection.



STANLEY provides a facility for the collection and recycling of STANLEY products once they have reached the end of their working life. To take advantage of this service please return your product to any authorised repair agent who will collect them on our behalf.

You can check the location of your nearest authorised repair agent by contacting your local STANLEY office at the

address indicated in this manual. Alternatively, a list of authorised STANLEY repair agents and full details of our after-sales service and contacts are available on the Internet at: [www.2helpU.com](http://www.2helpU.com).

## Notes

- STANLEY's policy is one of continuous improvement to our products and as such, we reserve the right to change product specifications without prior notice.
- Standard equipment and accessories may vary by country.
- Product specifications may differ by country.
- Complete product range may not be available in all countries. Contact your local STANLEY dealers for range availability.

## Technical data

SRS480		
Input voltage	V <sub>AC</sub>	220-240
Power input	W	480
Frequency	Hz	50/60
Orbits (no load)	min <sup>-1</sup>	4000-12000
Sanding base surface	mm	Ø 125
Weight	kg	2.47

### Level of sound pressure according to EN 60745:

Sound pressure (L<sub>pA</sub>) 84,0 dB(A), uncertainty (K) 3 dB(A)

Sound power (L<sub>WA</sub>) 95,0 dB(A), uncertainty (K) 3 dB(A)

### Vibration emission value ah:

ah = 5,1 m/s<sup>2</sup>

uncertainty (K) = 1,5 m/s<sup>2</sup>

The declared vibration emission values stated in the technical data and the declaration of conformity have been measured in accordance with a standard test method provided by EN 60745 and may be used for comparing one tool with another. The declared vibration emission value may also be used in a preliminary assessment of exposure.



**Warning!** The vibration emission value during actual use of the power tool can differ from the declared value depending on the ways in which the tool is used. The vibration level may increase above the level stated. When assessing vibration exposure to determine safety measures required by 2002/44/EC to protect persons regularly using power tools in employment, an estimation of vibration exposure should consider, the actual conditions of use and the way the tool is used, including taking account of all parts of the operating cycle such as the times when the tool is switched off and when it is running idle in addition to the trigger time.



## Service Information

STANLEY offers a full network of company-owned and/ or authorized service agents throughout your country. All STANLEY Service Centers are staffed with trained personnel to provide customers with efficient and reliable power tool service. Whether you need technical advice, repair, or genuine factory replacement parts, contact the STANLEY location nearest to you.

### EC declaration of conformity

MACHINERY DIRECTIVE



**SRS480 - ROS Sander**

Stanley Europe declares that these products described under "technical data" are in compliance with:

STANLEY declares that these products described under "technical data" are in compliance with: 2006/42/EC, EN 60745-1:2009 + A11:2010, EN 60745-2-4:2009+A11:2011

These products also comply with Directive 2004/108/EC, 2014/30/EU and 2011/65/EU.

For more information, please contact Stanley Europe at the following address or refer to the back of the manual. The undersigned is responsible for compilation of the technical file and makes this declaration on behalf of Stanley Europe.

A handwritten signature in black ink, appearing to read 'R. Laverick', written in a cursive style.

**R.Laverick**

Engineering Manager  
Stanley Europe, Egide Walschaertsstraat 14-18,  
2800 Mechelen, Belgium  
12.2016

## Two years warranty

If your STANLEY product becomes defective due to faulty materials or workmanship within 24 months from the date of purchase, STANLEY guarantees to replace all defective parts free of charge or – at our discretion – replace the unit free of charge provided that:

- The product has not been misused and has been used in accordance with the instruction manual;
- The product has been subject to fair wear and tear;
- Repairs have not been attempted by unauthorized persons;
- Proof of purchase is produced.
- The STANLEY product is returned complete with all original components
- The product hasn't been used for hire purposes

If you wish to make a claim, contact your seller or check the location of your nearest authorised STANLEY repair agent in the STANLEY catalogue or contact your local STANLEY office at the address indicated in this manual. A list of authorised STANLEY repair agents and full details of our after sales service is available on the internet at: [www.2helpU.com](http://www.2helpU.com)

## Kullanım amacı

Stanley SRS480 eksantrik zımparanız ahşap, metal, plastik ve boyalı yüzeylerin zımparalanması için tasarlanmıştır. Bu alet profesyonel kullanım içindir

## Güvenlik talimatları

### Genel elektrikli alet güvenlik uyarıları



**Uyarı! Bütün güvenlik uyarılarını ve talimatlarını mutlaka okuyun.** Aşağıda yer alan uyarılar ve talimatların herhangi birisine uyulmaması elektrik çarpması, yangın ve/veya ciddi yaralanma riskine neden olabilir.

**Bütün uyarı ve güvenlik talimatlarını ileride bakmak üzere saklayın.** Aşağıda yer alan uyarılardaki «elektrikli alet» terimi şebeke elektrikle (kablolu) veya akü/pille (şarjlı) çalışan elektrikli aletinizi ifade etmektedir.

### 1. Çalışma alanının güvenliği

- Çalışma alanını temiz ve aydınlık tutun.** Dağınık ve karanlık alanlar kazaya davetiyeye çıkarır.
- Elektrikli aletleri, yanıcı sıvılar, gazlar ve tozların bulunduğu yerler gibi yanıcı ortamlarda çalıştırmayın.** Elektrikli aletler, toz veya dumanları ateşleyebilecek kıvılcımlar çıkarır.
- Bir elektrikli aleti çalıştırırken çocuklardan ve etraftaki kişilerden uzak tutun.** Dikkatinizi dağıtıcı şeyler kontrolü kaybetmenize neden olabilir.

### 2. Elektrik güvenliği

- Elektrikli aletlerin fişleri prizlere uygun olmalıdır. Fiş üzerinde kesinlikle hiçbir değişiklik yapmayın.** Topraklı (topraklanmış) elektrikli aletlerde hiçbir adaptor fişi kullanmayın. Değiştirilmemiş fişler ve uygun prizler elektrik çarpması riskini azaltacaktır.
- Borular, radyatörler, ocaklar ve buzdolapları gibi topraklanmış yüzeylerle vücut temasından kaçının.** Vücudunuzun topraklanması halinde yüksek elektrik çarpması riski vardır.
- Elektrikli aletleri yağmura maruz bırakmayın veya ıslatmayın.** Elektrikli alete su girmesi, elektrik çarpması riskini artıracaktır.
- Kablosuna zarar vermeyin.** Elektrikli aleti kesinlikle kablosundan tutarak taşımayın, çekmeyin veya prizden çıkarmayın. Kabloyu sıcağın, yağdan, keskin kenarlardan veya hareketli parçalardan uzak tutun. Hasarlı veya dolaşmış kablolar elektrik çarpması riskini artırır.

- Elektrikli aleti açık havada kullanırken, açık hava kullanımına uygun bir uzatma kablosu kullanın.** Açık havada kullanıma uygun bir kablounun kullanılması elektrik çarpması riskini azaltır.
- Eğer bir elektrikli aleti nemli bir bölgede çalıştırması zorluyorsa, bir artık akım aygıtı (RCD) korumalı bir kaynak kullanın.** Bir RCD kullanılması elektrik çarpması riskini azaltır.

### 3. Kişisel güvenlik

- Elektrikli bir alet kullanırken her zaman dikkatli olun, yaptığınız işe yoğunlaşın ve sağduyulu davranın.** Elektrikli bir aleti yorgunken veya ilaç ya da alkolün etkisi altındayken kullanmayın. Elektrikli aletleri kullanırken bir anlık dikkatsizlik ciddi yaralanmalara yol açabilir.
  - Kişisel koruyucu ekipmanları mutlaka kullanın.** Daima koruyucu gözlük takın. Koşullara uygun toz maskesi, kaymayan güvenlik ayakkabıları, baret veya kulaklık gibi koruyucu donanımların kullanılması kişisel yaralanmaları azaltacaktır.
  - İstem dışı çalıştırılmasını önleyin. Cihazı güç kaynağına ve/veya aküye bağlamadan, kaldırmadan veya taşımadan önce düğmenin kapalı konumda olduğundan emin olun.** Aleti, parmağınız düğme üzerinde bulunacak şekilde taşımak veya açık konumdaki elektrikli aletleri elektrik şebekesine bağlamak kazaya davetiyeye çıkarır.
  - Elektrikli aleti çalıştırmadan önce herhangi bir ayarlama anahtarını veya vida anahtarını çıkarın.** Elektrikli aletin hareketli parçasına takılı bırakılan bir vida anahtarı veya anahtar, kişisel yaralanmaya neden olabilir.
  - Ulaşmakta zorlandığınız yerlerde kullanmayın. Her zaman sağlam ve dengeli basın.** Bu, beklenmedik durumlarda elektrikli aletin daha iyi kontrol edilmesine olanak tanır.
  - Uygun şekilde giyinin. Bol giysiler giymeyin ve takı takmayın. Saçınızı, giysinizi ve eldivenlerinizi hareketli parçalardan uzak tutun.** Bol giysiler, takılar veya uzun saçlar hareketli parçalara takılabilir.
  - Eğer kullandığınız üründe toz emme ve toplama özellikleri olan ataşmalar varsa bunların bağlı olduğundan ve doğru şekilde kullanıldığından emin olun.** Bu toz toplama ataşmaların kullanılması tozla ilgili tehlikeleri azaltabilir.
- ### 4. Elektrikli aletlerin kullanımı ve bakımı

- a. **Elektrikli aleti zorlamayın. Uygulamanız için doğru elektrikli aleti kullanın.** Doğru elektrikli alet, belirlendiği kapasite ayarında kullanıldığında daha iyi ve güvenli çalışacaktır.
  - b. **Düğme açmıyor ve kapatmıyorsa elektrikli aleti kullanmayın.** Düğmeyle kontrol edilemeyen tüm elektrikli aletler tehlikelidir ve tamir edilmesi gerekmektedir.
  - c. **Herhangi bir ayarlama, aksesuar değişimi veya elektrikli aletlerin saklanması öncesinde fişi güç kaynağından çekin.** Bu tür önleyici güvenlik tedbirleri aletin istem dışı çalıştırılması riskini azaltır.
  - d. **Elektrikli aleti, çocukların ulaşamayacağı yerlerde saklayın ve elektrikli aleti tanımayan veya bu talimatları bilmeyen kişilerin elektrikli aleti kullanmasına izin vermeyin.** Elektrikli aletler, eğitimsiz kullanıcıların elinde tehlikelidir.
  - e. **Elektrikli aletlerin bakımını yapın. Hareketli parçalardaki hizalama hatalarını ve tutuklukları, parçalardaki kırılmalar ve elektrikli aletin çalışmasını etkileyebilecek tüm koşulları kontrol edin. Hasarlı ise, elektrikli aleti kullanmadan önce tamir ettirin.** Kazaların çoğu, elektrikli aletlerin bakımının yeterli şekilde yapılmamasından kaynaklanır.
  - f. **Kesim aletlerini keskin ve temiz tutun.** Bakımı uygun şekilde yapılmış keskin kesim uçlu kesim aletlerinin sıkışma ihtimali daha düşüktür ve kontrol edilmesi kolaydır.
  - g. **Elektrikli aleti, aksesuarlarını ve aletin diğer parçalarını vs. kullanırken bu talimatlara mutlaka uyun ve elektrikli alet türü için öngörüldüğü şekilde, çalışma ortamının koşullarını ve yapılacak işin ne olduğunu göz önünde bulundurun.** Elektrikli aletin öngörülen işlemler dışındaki işlemler için kullanılması tehlikeli durumlara neden olabilir.
5. **Servis**
- a. **Elektrikli aletinizi, sadece orijinal yedek parçaların kullanıldığı yetkili servise tamir ettirin.** Bu, elektrikli aletin güvenliğinin muhafaza edilmesini sağlayacaktır.

## Elektrikli el aletleri için ek güvenlik talimatları



**Uyarı!** Zımparalar için ek güvenlik talimatları

- **Aletin zımpara kağıdı kendi kablosuna temas edebileceği için elektrikli el aletini yalıtımlı kavrama yüzeylerinden tutun.** «Akım taşıyan» bir teli kesmesi metal kısımları «akım taşıyor» hale götürür ve operatörün çarpmasına yol açacaktır.

- **Üzerinde çalıştığınız parçayı sabitlemek ve desteklemek için kelepçeler veya başka pratik yöntemler kullanın.** Parçayı elle veya vücudunuza dayamanız dengesiz durmasına neden olacaktır ve aletin kontrolünü kaybetmenize yol açabilir.



**Uyarı!** Zımparalama uygulamaları nedeniyle açığa çıkan tozla temas operatörün ve çevrede bulunanların sağlığını tehlikeye atabilir. Toz ve dumanlara karşı korunma için özel olarak tasarlanmış bir toz maskesi kullanın ve çalışma alanına giren veya bu alanda bulunan kişilerin de korunduğundan emin olun.

- Zımparalama işleminin ardından tüm tozu güzelce temizleyin.
- Kurşun bazlı olma ihtimali olan boyaları ve zehirli toz üretebilecek ahsap ve metalleri zımparalarken özel bir dikkat gösterin:
  - Çocukların veya gebe kadınların çalışma alanına girmesine izin vermeyin.
  - Çalışma alanında bir şey yemeyin, herhangi bir içecek veya sigara içmeyin.
  - Toz partiküllerini ve diğer moloz kalıntıları güvenli bir şekilde atın.
- Kullanım amacı bu kullanım kılavuzunda açıklanmıştır. Herhangi bir aksesuarın veya bağlantının ya da işlemin, bu kılavuzda tavsiye edilen şekilden başka bir şekilde kullanılması şahısların yaralanmalarına ve/veya mal kaybına yol açabilir.

## Diğer tehlikeler

Emniyet tedbirlerini düzenleyen yönetmeliğin uygulanmasına ve emniyet sağlayıcı aygıtların kullanılmasına rağmen, başka belirli risklerden kaçınılamaz. Bunlar:

- Aletin dönen ve hareket eden parçalarına dokunma sonucu ortaya çıkan yaralanmalar.
- Duyma bozukluğu.
- Herhangi bir parçayı veya aksesuarı değiştirirken yaralanma riski.
- Aleti kullanırken ortaya çıkan tozun solunması sonucu ortaya çıkan sağlık sorunları (örnek: ahsapta çalışırken, özellikle meşe, akgürgen ve MDF).
- Aletin uzun süreli kullanılması sonucu ortaya çıkan yaralanmalar. Herhangi bir aleti uzun sürelerle kullanacaksanız düzenli olarak çalışmanıza ara verin.

## Diğer kişilerin güvenliği

Bu alet fiziksel ve zihinsel kapasitesinin yanı sıra algılama gücü azalmış olan veya yeterince deneyim ve bilgisi bulunmayan kişiler (çocuklar dahil) tarafından kullanılmak üzere üretilmemiştir. Bu tür kişiler aleti ancak güvenliklerinden sorumlu bir kişi tarafından aletin kullanımıyla ilgili talimatların verilmesi veya sürekli kontrol altında tutulması durumunda kullanabilir.

Çocuklar, aletle oynamalarını önlemek amacıyla kontrol altında tutulmalıdır.

## Alet üzerindeki etiketler

Aletin etiketinde tarih kodu ile birlikte aşağıdaki semboller bulunabilir:



**Uyarı!** Yaralanma riskini en aza indirmek için kullanıcı kullanım talimatlarını mutlaka okumalıdır.



Daima koruyucu gözlük takın



Daima koruyucu kulaklık takın

## Tarih kodu konumu

İmalat yılını da içeren Tarih Kodu gövdeye basılıdır.

Örnek:

2016 XX ZY  
İmalat Yılı

## Elektrik güvenliği



Bu alet çift yalıtımlıdır. Bu yüzden hiçbir topraklama kablosuna gerek yoktur. Her zaman şebeke geriliminin aletin üretim etiketinde belirtilmiş değerlere uyup uymadığını kontrol edin.

- Elektrik kablosu hasarlı ise, bir tehlike oluşmasını önlemek için üretici ya da yetkili STANLEY Servis Merkezi tarafından değiştirilmelidir.

## Uzatma kablolarının kullanımı

- Daima bu aletin elektrik girişine uygun (teknik özelliklerine bakın), onaylı bir uzatma kablosu kullanın. Kullanmadan önce, uzatma kablosunda hasar, aşınma veya eskime olup olmadığını kontrol edin. Hasarlı veya kusurlu ise, uzatma kablosunu değiştirin. Bir kablo makarası kullanırken, kabloyu daima sonuna kadar açın. Güç girişine uygun olmayan veya hasarlı veya hatalı bir uzatma kablosunun kullanılması yangın ve elektrik çarpmasına yol açabilir.

## Özellikler

Bu alet, aşağıdaki özelliklerin bir kısmını veya tümünü içermektedir.

- Açma/kapama düğmesi
- Kesintisiz çalıştırma düğmesi
- Değişken hız kontrol düğmesi
- Toz atma çıkışı
- Zımpara tabanı

## Montaj



**Uyarı!** Montajdan önce aletin kapalı ve fişinin çekilmiş olduğundan emin olun.

## Zımpara tabanının takılması (Şekil A)

- Aleti, mili yukarı bacak şeklide bir masaya yerleştirin.
- Zımpara tabanını (5) milin üzerine yerleştirin.
- Vidaları (6) kullanarak zımpara tabanını sabitleyin.

## Zımpara kağıtlarının takılması (Şekil B)

**Uyarı!** Aleti, zımpara kağıdı veya aksesuar takılı olmadan kesinlikle kullanmayın.

- Zımpara kağıdını, kağıttaki deliklerin tabandaki deliklerle aynı hizada olduğundan emin olarak zımpara tabanının (5) üzerine yerleştirin ve sıkı ve eşit bir şekilde bastırın.

## Toz torbasının takılması ve çıkartılması (Şekil C)

- Toz torbasını (7) toz atma çıkışına (4) takın.
- Toz torbasını çıkartmak için toz atma çıkışından çekin.

## Bir elektrik süpürgesinin bağlanması (Şekil D)

- Elektrik süpürgesinin hortumunu (8) toz atma çıkışına (4) takın.

## Kullanım

**Uyarı!** Aletin kendi hızında çalışmasına izin verin. Aşırı yüklenmeyin.

## Değişken hız kontrolü

Değişken hız kontrolü, aletin hızını üzerinde çalıştığınız malzemeye göre ayarlamaya olanak tanır.

- Kontrol düğmesini (3) istediğini ayara getirin. Ahşap için yüksek, kaplamalar ve sentetik malzemeler için orta ve akrilik cam, demir içermeyen metaller ve boya kazıma için düşük hızı kullanın.

## Açılması ve kapatılması

- Aleti açmak için, açma/kapama düğmesine (1) basın.
- Sürekli çalışması için kesintisiz çalıştırma düğmesine (2) basın ve değişken hızlı açma/kapama düğmesini bırakın.
- Aleti kapatmak için açma/kapama düğmesini bırakın. Kesintisiz çalışma konumundayken aleti kapatmak için değişken hızlı açma/kapama düğmesine bir kez daha basın ve bırakın.

## Otomatik fren sistemi

Bu özellik, alet malzemeye temas etmediği sürece diskin hızını sınırlı tutar. Alet malzeme üzerine yerleşince disk, normal çalışma hızına ulaşacaktır.

## Toz torbasının boşaltılması

Toz torbası her 10 dakikada bir boşaltılmadır.

- İçindekileri boşaltmak için toz torbasını sallayın.

## Yararlı tavsiyeler (Şekil E)

- Alete çok fazla baskı uygulamayın.
- Zımpara kâğıdının durumunu düzenli olarak kontrol edin. Gerekğinde değiştirin.
- Her zaman ahşabı damar yönünde zımparalayın.
- Yeni boya katlarını başka bir kat vurmadan önce zımparalarken hassas zımpara kâğıdı kullanın.
- Çok bozuk yüzeylerde veya boya katlarını kazırken kaba zımpara kâğıdıyla başlayın. Diğer yüzeylerde orta kabalıkta kâğıtla başlayın. Her iki durumda da, pürüzsüz bir yüzey için dereceli olarak hassas zımpara kâğıdına geçin.
- Mevcut aksesuarlarla ilgili daha ayrıntılı bilgi için satış noktalarına danışın.

## Aksesuarlar

Aletinizin performansı kullanılan aksesuara bağlıdır. STANLEY aksesuarları, yüksek kalite standartlarına göre üretilmiş ve aletinizin performansını arttıracak şekilde tasarlanmıştır. Bu aksesuarları kullanarak, aletinizden en iyi verimi alacaksınız.

## Bakım

Aletinizin minimum bakımla uzun bir süre çalışacak şekilde tasarlanmıştır. Kesintisiz olarak memnuniyet verici bir şekilde çalışması gerekli özenin gösterilmesine ve düzenli temizliğe bağlıdır.



**Uyarı!** Bakımdan önce aletin kapalı ve fişinin çekilmiş olduğundan emin olun.

- Aletinizdeki havalandırma deliklerini yumuşak bir fırça veya kuru bir bezle düzenli olarak temizleyin.
- Motor muhafazasını düzenli olarak nemli bir bezle silin. Aşındırıcı veya çözücü bazlı temizleyiciler kullanmayın.

## Çevrenin korunması



Ayrı olarak atın. Bu ürün, normal evsel atıklarla birlikte atılmamalıdır.

STANLEY ürününüzün değiştirilmesi gerektiğini düşünmeniz veya artık kullanılamaz durumda olması halinde onu, evsel atıklarla birlikte atmayın. Bu ürünü, ayrı olarak toplanacak şekilde atın.



STANLEY, hizmet ömrünün sonuna ulaşan STANLEY ürünlerinin toplanması ve geri dönüşüme sokulması için bir imkân sunmaktadır. Bu hizmetin avantajlarından faydalanmak için, lütfen, ürününüzü bizim adımıza teslim alacak herhangi bir yetkili servise iade edin.

Bu kılavuzda belirtilen listeden size en yakın STANLEY yetkili tamir servisinin yerini öğrenebilirsiniz. Ya da, alternatif olarak internet'ten STANLEY yetkili tamir servislerinin listesini ve satış sonrası hizmetlerimizle ilgili tüm bilgiler ve temas bilgilerine aşağıdaki siteden ulaşabilirsiniz. [www.2helpU.com](http://www.2helpU.com)

## Notlar

- STANLEY olarak, ürünlerimizi sürekli iyileştirme politikası uyguladığımızdan, önceden haber vermeden ürün özelliklerini değiştirme hakkını saklı tutarız.
- Standart ekipman ve aksesuarlar ülkeye göre değişebilir.
- Ürün özellikleri ülkelere göre farklı olabilir.
- Komple ürün çeşidi tüm ülkelerde geçerli olmayabilir. Ürün çeşidi durumu hakkında lütfen en yakın STANLEY yetkili servisiyle temas kurun.

## Teknik özellikleri

SRS480		
Giriş voltajı	V <sub>AC</sub>	220-240
Giriş gücü	W	480
Frekans	Hz	50/60
Yüksüz hızı	dev/dak	4000-12000
Zımpara tabanı	mm	ø 125
Ağırlık	kg	2,47

### EN 60745'e göre ses basıncı düzeyi:

Ses basıncı (L<sub>pA</sub>) 84,0 dB(A), belirsizlik (K) 3 dB(A)

Akustik güç (L<sub>WA</sub>) 95,0 dB(A), belirsizlik (K) 3 dB(A)

### Titreşim emisyon değeri ah:

ah = 5,1 m/s<sup>2</sup>

belirsizlik (K) = 1,5 m/s<sup>2</sup>

Teknik veriler ve uygunluk beyanati içerisinde belirtilen titreşim emisyon değerleri EN60745 tarafından belirlenen standart bir test yöntemine uygun olarak ölçülmektedir ve diğer bir aletle karşılaştırma yaparken kullanılabilir. Beyan edilen titreşim emisyon değeri aynı zamanda maruz kalmanın önceden değerlendirilmesinde de kullanılabilir.



**Uyarı!** Elektrikli aletin mevcut kullanım sırasındaki titreşim emisyon değeri, aletin kullanım yöntemine bağlı olarak, beyan edilen değere göre farklılık sergileyebilir. Titreşim düzeyi belirlenen seviyenin üzerinde artış gösterebilir. İşyerinde düzenli olarak elektrikli alet kullanan çalışanları korumak amacıyla 2002/44/EC tarafından getirilen elektrik güvenliği önlemlerini belirlemek üzere titreşime maruz kalmayı değerlendirirken, çalışma döngüsü içerisinde örneğin aletin kapalı olduğu ve aktif durumda olmasının yanı sıra boşta çalıştığı zamanlar gibi, bütün zaman dilimleri dahil olmak üzere mevcut kullanım durumu ve aletin kullanım şekli göz önünde bulundurularak değerlendirilmelidir.

## Servis bilgileri

STANLEY kendisine ait servis merkezleri ve/veya yetkili servisleriyle tam bir ağı sunmaktadır. Tüm STANLEY Servis Merkezleri müşterilere etkili ve güvenilir elektrikli el aleti hizmeti sunmak için eğitimli personel ile donatılmıştır. Eğer teknik danışmanlık, onarım veya orijinal fabrika yedek parçası ihtiyacınız varsa, size en yakın STANLEY merkezine başvurun.

## AT Uygunluk Beyanati MAKİNE DİREKTİFİ



STANLEY, «teknik özellikleri» bölümünde açıklanan bu ürünlerin aşağıda belirtilen yönergelere uygun olduğunu beyan eder: 2006/42/EC, EN 60745-1:2009 + A11:2010, EN 60745-2-4:2009+A11:2011

Bu ürünler ayrıca 2004/108/EC, 2014/30/EU ve 2011/65/EU Direktifine de uygundur.

Daha fazla bilgi için, lütfen aşağıdaki adresten STANLEY ile irtibata geçin veya kılavuzun arkasına bakın.

Bu belge altında imzası bulunan yetkili, teknik dosyanın derlenmesinden sorumludur ve bu beyanı STANLEY adına vermiştir.

**R.Laverick**

Mühendislik Bölümü Müdürü  
STANLEY , Europe, Egide Walschaertsstraat14-18,  
2800 Mechelen, Belçika  
12.2016

## İki yıl garanti

Sahip olduğunuz STANLEY ürünü satın alma tarihinden itibaren 24 ay içinde hatalı malzeme veya işçilik nedeniyle bozulursa, STANLEY aşağıdaki şartlara uyulması koşuluyla ücretsiz olarak tüm kusurlu parçaların yenilenmesini veya -kendi inisiyatifine bağlı olarak- satın alınan ürünün değiştirilmesini garanti eder:

- Ürün, hatalı kullanılmamış kullanım kılavuzuna uygun kullanılmıştır.
- Ürün yıpranmamış, hırpalanmamış ve aşınmamıştır;
- Yetkili olmayan kişilerce tamire çalışılmamıştır.
- Satın alma belgesi (fatura) ibraz edilmiştir;
- STANLEY ürünü, tüm orijinal parçaları ile birlikte iade edilmiştir;
- Ürün kiralama amacıyla kullanılmamıştır.

Garanti talebinde bulunmak için, lütfen satıcıyla irtibata geçin veya STANLEY katalogunda belirtilen size en yakın STANLEY yetkili satıcı adresini kontrol edin veya ürünün kılavuzunda belirtilen adresteki yerel STANLEY yetkili tamir servisi ile temas kurun. İnternet'ten STANLEY yetkili tamir servislerinin listesine ve satış sonrası hizmetlerimizle ilgili tüm bilgilerine aşağıdaki siteden ulaşabilirsiniz:  
[www.2helpU.com](http://www.2helpU.com)

Sanayi ve Ticaret Bakanlığı tebliğince kullanım ömrü 7 yıldır.

Türkiye Distribütörü  
STANLEY BLACK&DECKER TURKEY ALET ÜRETİM SAN.  
TIC. LTD.STİ.  
Kozyatağı Mh Değirmen Sk. Nida Kule  
No:18 Kat:6 34742 Kadıköy İstanbul  
Tel : (0216) 665 29 00  
Faks : (0216) 665 29 01  
E-posta: [info-tr@sbdinc.com](mailto:info-tr@sbdinc.com)

## Назначение

Ваша шлифовальная машина Stanley SRS480 предназначена для шлифования деревянных, металлических, пластиковых и окрашенных поверхностей. Данный инструмент предназначен для профессионального использования.

## Инструкции по технике безопасности

### Общие правила безопасности при работе с электроинструментами



**Внимание! Внимательно прочтите все инструкции по безопасности и руководство по эксплуатации.**

Несоблюдение всех перечисленных ниже правил безопасности и инструкций может привести к поражению электрическим током, возникновению пожара и/или получению тяжёлой травмы.

Сохраните все инструкции по безопасности и руководство по эксплуатации для их дальнейшего использования. Термин «Электроинструмент» во всех приведённых ниже указаниях относится к вашему сетевому (с кабелем) электроинструменту или аккумуляторному (беспроводному) электроинструменту.

### 1. Безопасность рабочего места

- a. **Содержите рабочее место в чистоте и хорошо освещённым.** Беспорядок на рабочем месте или отсутствие освещения рабочего места может привести к аварии.
- b. **Не работайте с электроинструментом в месте хранения взрывоопасных материалов, например, в присутствии огнеопасных жидкостей, газов или пыли.** Электрические инструменты создают искры, которые могут воспламенить пыль или пары.
- c. **Дети и посторонние лица должны находиться как можно дальше во время работы с электроинструментом.** Вы можете отвлечься и потерять контроль.

### 2. Электробезопасность

- a. **Вилка электроинструмента должна соответствовать розетке. Никогда не модифицируйте вилку каким-либо образом. Не используйте никакие вилки-переходники с заземлёнными (замкнутыми на землю) электроинструментами.** Вилки и розетки, которые не подвергались никаким изменениям снижают риск поражения электрическим током.

- b. **Избегайте контакта тела с заземлёнными поверхностями, такими как трубы, радиаторы, плиты и холодильники.** Существует повышенный риск поражения электрическим током, если ваше тело заземлено.
- c. **Избегайте любого воздействия дождя или влаги на электроинструменты.** Вода, попавшая в электроинструмент, увеличивает риск поражения электрическим током.
- d. **Аккуратно обращайтесь со шнуром питания. Никогда не используйте шнур питания для переноски, перемещения или извлечения вилки из розетки. Держите шнур вдали от источников тепла, масла, острых краёв или движущихся частей.** Поверждённые или запутанные шнуры увеличивают риск поражения электрическим током.
- e. **При работе с электроинструментом на улице, используйте удлинитель, подходящий для наружного использования.** Использование кабеля, пригодного для использования на открытом воздухе, снижает риск поражения электрическим током.
- f. **При необходимости работы с электроинструментом во влажной среде, используйте устройство защитного отключения (УЗО).** Использование УЗО снижает риск поражения электрическим током.

### 3. Личная безопасность

- a. **Будьте внимательны, смотрите, что вы делаете, используйте здравый смысл при работе с электроинструментом. Не используйте электроинструмент, если вы устали или находитесь под влиянием наркотиков, алкоголя или лекарств.** Малейшая неосторожность при работе с электроинструментом может привести к серьёзным травмам.
- b. **Используйте средства индивидуальной защиты. Всегда надевайте защитные очки. Другое защитное оборудование, включая респиратор, ботинки на нескользящей подошве, защитный шлем или средства защиты органов слуха, используемые в надлежащих условиях, уменьшат риск получения травмы.**
- c. **Для предотвращения случайного запуска, убедитесь, что переключатель находится в выключенном положении перед подключением к источнику питания и/или аккумуляторной батарее, поднятия или переноски инструмента.** Не переносите электроинструмент с пальцем на выключателе и не включайте питание на инструмент с включённым выключателем, что может привести к несчастному случаю.



d. **Перед включением электроинструмента снимайте регулировочный или гаечный ключ.** Гаечный или регулировочный ключ, оставленный на вращающейся части электроинструмента, может привести к травме.

e. **Не тянитесь.** Сохраняйте правильную стойку и баланс все время. Это позволяет лучше контролировать инструмент в неожиданных ситуациях.

f. **Одевайтесь правильно.** Не надевайте свободную одежду или украшения. Держите волосы, одежду и перчатки вдали от движущихся частей. Свободная одежда, украшения или длинные волосы могут попасть в движущиеся части.

g. **Если имеются устройства для подключения пылесборника или вытяжки, убедитесь в том, что они подсоединены и используются правильно.** Использование пылесборника снижает вероятность возникновения рисков, связанных с пылью.

#### 4. Использование и уход за электроинструментом

a. **Не перегружайте электроинструмент.** Используйте подходящий электрический инструмент для соответствующего применения. Правильно подобранный электроинструмент позволит выполнить работу лучше и безопаснее при скорости, для которой он был разработан.

b. **Не используйте электроинструмент, если переключатель не может его включить и выключить.** Любой электроинструмент, который нельзя контролировать с помощью переключателя, опасен и должен быть отремонтирован.

c. **Отключите кабель питания от источника питания и/или аккумуляторный блок от электрического инструмента перед выполнением любых регулировок, замены принадлежности или при хранении электроинструмента.** Такие профилактические меры безопасности уменьшают риск непреднамеренного запуска электрического инструмента.

d. **Храните неиспользуемые электроинструменты в недоступном для детей месте и не позволяйте лицам, не знакомым с электроинструментом или данными инструкциями, работать с электроинструментом.** Электроинструменты опасны в руках неопытных пользователей.

e. **Поддержание электроинструмента.** Проверяйте разрегулированность или соединение подвижных частей, поломки частей и любые другие условия, которые могут повлиять на

работу электроинструмента. При наличии повреждения, отремонтируйте электроинструмент перед использованием. Многие несчастные случаи являются следствием плохого ухода за электроинструментом.

f. **Держите режущий инструмент острым и чистым.** Хорошо ухоженный режущий инструмент с острыми режущими кромками легче контролировать.

g. **Используйте электроинструмент, принадлежности, насадки и т.д. в соответствии с этими инструкциями, принимая во внимание рабочие условия и характер выполняемой работы.** Использование электроинструмента иным способом может привести к опасным ситуациям.

#### 5. Обслуживание

a. **Обеспечьте, чтобы обслуживание и ремонт вашего электроинструмента проводился в авторизованном сервисном центре по ремонту с использованием только оригинальных запасных частей.** Это станет гарантией безопасности электроинструмента.

#### Дополнительные меры безопасности при работе с электроинструментами



**Внимание!** Дополнительные инструкции по технике безопасности при работе шлифовальными машинами

- Держите электроинструмент за изолированные поверхности, поскольку шлифовальная лента может задеть собственный кабель. Разрезание находящегося под напряжением провода делает не покрытые изоляцией металлические части электроинструмента также «живыми», что создаёт опасность поражения оператора электрическим током.
- Используйте струбины или другие приспособления для фиксации обрабатываемой детали, устанавливая их только на неподвижной поверхности. Если держать обрабатываемую деталь руками или с упором в собственное тело, то можно потерять контроль над инструментом или обрабатываемой деталью.



**Внимание!** Контакт с пылью или вдыхание пыли, возникающей в ходе шлифовальных работ, может представлять опасность для здоровья оператора и окружающих лиц. Надевайте респиратор, специально разработанный для защиты от пыли и паров, и следите, чтобы лица, находящиеся в рабочей зоне, также были обеспечены средствами индивидуальной защиты.

- После окончания работы тщательно убирайте всю образовавшуюся пыль.
- Соблюдайте особую осторожность при удалении краски, которая может иметь свинцовую основу, или при шлифовании некоторых сортов дерева или металла, которые могут быть источником токсичной пыли:
  - Не позволяйте детям или беременным женщинам находиться в рабочей зоне.
  - Не принимайте пищу, не пейте и не курите в рабочей зоне.
  - Удаляйте частицы пыли и прочие отходы безопасным для окружающей среды способом.
- Назначение инструмента описывается в данном руководстве по эксплуатации. Использование любых принадлежностей или приспособлений, а также выполнение данным инструментом любых видов работ, не рекомендованных данным руководством по эксплуатации, может привести к несчастному случаю и/или повреждению личного имущества.

### Остаточные риски

Несмотря на соблюдение соответствующих инструкций по технике безопасности и использование предохранительных устройств, некоторые остаточные риски невозможно полностью исключить. К ним относятся:

- Травмы в результате касания вращающихся/двигающихся частей инструмента.
- Ухудшение слуха.
- Риск получения травмы во время смены деталей инструмента или насадок.
- Ущерб здоровью в результате вдыхания пыли в процессе работы с инструментом (например, при обработке древесины, в особенности, дуба, бука и ДВП).
- Риск получения травмы, связанный с продолжительным использованием инструмента. При использовании инструмента в течение продолжительного периода времени делайте регулярные перерывы в работе.

### Безопасность посторонних лиц

Данный инструмент не может использоваться людьми (включая детей) со сниженными физическими, сенсорными и умственными способностями или при отсутствии необходимого опыта или навыка, за исключением, если они выполняют работу под

присмотром или получили инструкции относительно работы с этим инструментом от лица, отвечающего за их безопасность.

Не позволяйте детям играть с электроинструментом.

### Маркировка инструмента

Наравне с кодом даты на инструменте имеются следующие знаки:



**Внимание!** Полное ознакомление с руководством по эксплуатации снизит риск получения травмы.



Всегда работайте в защитных очках.



Всегда используйте устройства для защиты органов слуха.

### Местоположение кода даты

Код даты, который также включает в себя год изготовления, отштампован на поверхности корпуса инструмента.

Пример:

2016 XX ZY  
Год изготовления

### Электробезопасность



Данный инструмент защищён двойной изоляцией, что исключает потребность в заземляющем проводе. Следите за напряжением электрической сети, оно должно соответствовать величине, обозначенной на информационной табличке инструмента.

- Во избежание несчастного случая, замена повреждённого кабеля питания должна производиться только на заводе-изготовителе или в авторизованном сервисном центре STANLEY.

### Использование удлинительного кабеля

- Всегда используйте удлинительные кабели установленного образца, соответствующие входной мощности данного электроинструмента (см. раздел «Технические характеристики»). Перед использованием проверьте удлинительный кабель на наличие признаков повреждения, старения и износа. В случае обнаружения повреждений удлинительный кабель подлежит замене. При использовании кабельного барабана, всегда полностью разматывайте кабель. Использование не соответствующего входному напряжению инструмента и повреждённого или неисправного удлинительного кабеля может привести к возгоранию и поражению электрическим током.

## Составные части

Данный инструмент может содержать все или некоторые из перечисленных ниже составных частей:

1. Клавиша пускового выключателя
2. Кнопка блокировки пускового выключателя
3. Поворотный переключатель скорости вращения электродвигателя
4. Отверстие пылеотвода
5. Шлифовальная подошва

## Сборка



**Внимание!** Перед началом сборки убедитесь, что инструмент выключен и отсоединён от электросети.

## Крепление шлифовальной подошвы (Рис. А)

- Положите инструмент на стол шпинделем вверх.
- Установите шлифовальную подошву (5) на шпиндель.
- Зафиксируйте шлифовальную подошву винтами (6).

## Крепление шлифовальной бумаги (Рис. В)

**Внимание!** Никогда не используйте инструмент без установленной шлифовальной бумаги или насадок.

- Плотно и равномерно прижмите шлифовальную бумагу к шлифовальной подошве (5) таким образом, чтобы отверстия в листе совместились с отверстиями в подошве.

## Установка и снятие пылесборника (Рис. С)

- Установите пылесборник (7) на отверстие пылеотвода (4).
- Чтобы снять пылесборник, стяните его с отверстия пылеотвода.

## Подключение к пылесосу (Рис. D)

- Вставьте шланг (8) пылесоса в отверстие пылеотвода (4).

## Эксплуатация

**Внимание!** Не форсируйте рабочий процесс. Избегайте перегрузки инструмента.

## Регулировка скорости

Поворотный переключатель скорости вращения электродвигателя позволит отрегулировать скорость в

соответствии с материалом обрабатываемой поверхности.

- Установите поворотный переключатель (3) в нужное положение. Используйте высокую скорость для обработки древесины, среднюю скорость для обработки фанеры и синтетических материалов и низкую скорость для обработки акриловых пластиков, цветных металлов, а также для удаления краски.

## Включение и выключение

- Чтобы включить инструмент, нажмите на клавишу пускового выключателя (1).
- Для непрерывного режима работы нажмите кнопку блокировки пускового выключателя (2) и отпустите клавишу пускового выключателя.
- Чтобы выключить инструмент, отпустите клавишу пускового выключателя. Для выключения непрерывного режима работы инструмента снова нажмите и отпустите клавишу пускового выключателя.

## Автоматическая тормозная система

Данная функция ограничивает скорость подошвы всё время, пока подошва не касается заготовки. Как только инструмент опустится на заготовку, нормальная рабочая скорость будет достигнута.

## Опорожнение пылесборника

Пылесборник должен опорожняться каждые 10 минут использования инструмента.

- Потрясите пылесборник, опорожняя его содержимое.

## Рекомендации по оптимальному использованию (Рис. E)

- Не надавливайте слишком сильно на электроинструмент.
- Регулярно проверяйте состояние шлифовальной бумаги. При необходимости замените.
- Всегда шлифуйте вдоль волокон древесины.
- При шлифовании свежеекрашенной поверхности перед нанесением нового слоя краски используйте мелкозернистую наждачную бумагу
- На неровных поверхностях, а также для удаления толстых слоёв краски предварительно используйте обдирочную (крупнозернистую) шлифовальную бумагу. На прочих поверхностях предварительно используйте получистовую (средней зернистости) шлифовальную бумагу. В обоих случаях при последующем шлифовании перейдите на чистовую (мелкозернистую) шлифовальную бумагу, чтобы получить ровную, гладкую поверхность.

- По вопросу приобретения дополнительных принадлежностей обращайтесь к Вашему дилеру.

## Дополнительные принадлежности

Производительность Вашего электроинструмента напрямую зависит от используемых принадлежностей. Принадлежности STANLEY изготовлены в соответствии с самыми высокими стандартами качества и способны увеличить производительность вашего электроинструмента. Используя эти принадлежности, Вы достигнете наилучших результатов в работе.

## Техническое обслуживание

Ваш инструмент рассчитан на работу в течение продолжительного времени при минимальном техническом обслуживании. Срок службы и надёжность инструмента увеличивается при правильном уходе и регулярной чистке.



**Внимание!** Перед любыми видами работ по техническому обслуживанию выключайте инструмент и отключайте его от источника питания.

- Регулярно очищайте вентиляционные отверстия Вашего инструмента мягкой щёткой или сухой тканью.
- Регулярно очищайте корпус двигателя влажной тканью. Не используйте абразивные чистящие средства, а также чистящие средства на основе растворителей.

## Защита окружающей среды



Раздельный сбор. Данное изделие нельзя утилизировать вместе с обычными бытовыми отходами.

Если однажды Вы захотите заменить Ваш электроинструмент STANLEY, или Вы больше в нем не нуждаетесь, не выбрасывайте его вместе с бытовыми отходами. Отнесите изделие в специальный приемный пункт.



Фирма STANLEY обеспечивает прием и переработку отслуживших свой срок изделий STANLEY. Чтобы воспользоваться этой услугой, Вы можете сдать Ваше изделие в любой авторизованный сервисный центр, который собирает их по нашему поручению. Вы можете узнать место нахождения Вашего

ближайшего авторизованного сервисного центра, обратившись в Ваш местный офис STANLEY по адресу, указанному в данном руководстве по эксплуатации. Кроме того, список авторизованных сервисных центров

STANLEY и полную информацию о нашем послепродажном обслуживании и контактах Вы можете найти в интернете по адресу: [www.2helpU.com](http://www.2helpU.com).

## Примечания

- Политика STANLEY нацелена на постоянное усовершенствование нашей продукции, поэтому фирма оставляет за собой право изменять технические характеристики изделий без предварительного уведомления.
- Стандартное оборудование и дополнительные принадлежности могут меняться в зависимости от страны продаж.
- Технические характеристики продуктов могут различаться в зависимости от страны продаж.
- Полная линия продуктов присутствует на рынках не всех стран. Для получения информации касательно линии продуктов в Вашей стране обратитесь в ближайший сервисный центр STANLEY.

## Технические характеристики

SRS480		
Входное напряжение	В перем. тока	220-240
Потребляемая мощность	Вт	480
Частота	Гц	50/60
Частота движения эксцентрика (без нагрузки)	д/мин.	4000-12000
Диаметр шлифовальной подошвы	мм	125
Вес	кг	2,47

## Информация по техническому обслуживанию

STANLEY имеет обширную сеть принадлежащих компании и/или авторизованных сервисных центров по всей стране. В целях предоставления клиентам эффективного и надёжного технического обслуживания электроинструментов во всех сервисных центрах STANLEY работает обученный персонал. Если Вы нуждаетесь в технической консультации, ремонте или покупке оригинальных запасных частей, обратитесь в ближайший к Вам сервисный центр STANLEY.

# STANLEY

## Гарантийные условия

### Уважаемый покупатель!

1. Поздравляем Вас с покупкой высококачественного изделия STANLEY и выражаем признательность за Ваш выбор.
2. При покупке изделия требуйте проверки его комплектности и исправности в Вашем присутствии, инструкцию по эксплуатации и заполненный гарантийный талон на русском языке.

В гарантийном талоне должны быть внесены: модель, дата продажи, серийный номер, дата производства инструмента; название, печать и подпись торговой организации. При отсутствии у Вас правильно заполненного гарантийного талона, а также несоответствия указанных в нем данных мы будем вынуждены отклонить Ваши претензии по качеству данного изделия.

3. Во избежание недоразумений убедительно просим Вас перед началом работы с изделием внимательно ознакомиться с инструкцией по его эксплуатации. Правовой основой настоящих гарантийных условий является действующее Законодательство. Гарантийный срок на данное изделие составляет 24 месяца и исчисляется со дня продажи. В случае устранения недостатков изделия, гарантийный срок продлевается на период его нахождения в ремонте. Срок службы изделия составляет 5 лет со дня продажи.
4. В случае возникновения каких-либо проблем в процессе эксплуатации изделия рекомендуем Вам обращаться только в уполномоченные сервисные центры STANLEY, адреса и телефоны которых Вы сможете найти в гарантийном талоне, на сайте [www.2helpU.com](http://www.2helpU.com) или узнать в магазине. Наши сервисные станции - это не только квалифицированный ремонт, но и широкий ассортимент запчастей и принадлежностей.
5. Производитель рекомендует проводить периодическую проверку и техническое обслуживание изделия в уполномоченных сервисных центрах.

6. Наши гарантийные обязательства распространяются только на неисправности, выявленные в течение гарантийного срока и вызванные дефектами производства и/или материалов.
7. **Гарантийные условия не распространяются на неисправности изделия, возникшие в результате:**
  - 7.1. Несоблюдения пользователем предписаний инструкции по эксплуатации изделия, применения изделия не по назначению, неправильному хранении, использования принадлежностей, расходных материалов и запчастей, не предусмотренных производителем.
  - 7.2. Механического повреждения (скопы, трещины и разрушения) внутренних и внешних деталей изделия, основных и вспомогательных рукояток, сетевого электрического кабеля, вызванного внешним ударным или любым иным воздействием
  - 7.3. Попадания в вентиляционные отверстия и проникновение внутрь изделия посторонних предметов, материалов или веществ, не являющихся отходами, сопровождающими применение изделия по назначению, такими как: стружка, опилки, песок, и пр.
  - 7.4. Воздействий на изделие неблагоприятных атмосферных и иных внешних факторов, таких как дождь, снег, повышенная влажность, нагрев, агрессивные среды, несоответствие параметров питающей электросети, указанных на инструменте.
  - 7.5. Стихийного бедствия. Повреждение или утрата изделия, связанное с непредвиденными бедствиями, стихийными явлениями, в том числе вследствие действия непреодолимой силы (пожар, молния, потоп и другие природные явления), а так же вследствие перепадов напряжения в электросети и другими причинами, которые находятся вне контроля производителя.
8. **Гарантийные условия не распространяются:**
  - 8.1. На инструменты, подвергавшиеся вскрытию, ремонту или модификации вне уполномоченного сервисного центра.
  - 8.2. На детали и узлы, имеющие следы естественного износа, такие как: приводные ремни и колеса, угольные щетки, смазка, подшипники, зубчатое зацепление редукторов, резиновые уплотнения, сальники, направляющие ролики, муфты, выключатели, бойки, толкатели, стволы, и т.п.
  - 8.3. На сменные части: патроны, цанги, зажимные гайки и фланцы, фильтры, аккумуляторные батареи, ножи, шлифовальные подошвы, цепи, звездочки, пыльные шины, защитные кожухи, пилки, абразивы, пыльные и абразивные диски, фрезы, сверла, буры и т.п.
  - 8.4. На неисправности, возникшие в результате перегрузки инструмента (как механической, так и электрической), повлекшей выход из строя одновременно двух и более деталей и узлов, таких как: ротора и статора, обеих обмоток статора, ведомой и ведущей шестерни редуктора или других узлов и деталей. К безусловным признакам перегрузки изделия относятся, помимо прочих: появление цветов побежалости, деформация или оплавление деталей и узлов изделия, потемнение или облуживание изоляции проводов электродвигателя под воздействием высокой температуры.



Изготовитель

Блэк энд Деккер Холдингс ГмбХ  
Германия, 65510, Идштайн,  
ул. Блэк энд Деккер, 40

## Призначення

Шліфувальна машина виробництва Stanley SRS480 призначена для шліфування дерев'яних, металевих, пластмасових та пофарбованих поверхонь. Цей інструмент призначений для професійного використання.

## Вказівки з техніки безпеки

### Загальні застереження техніки безпеки



**Увага! Уважно прочитайте всі попереджувальні написи та вказівки щодо техніки безпеки.** Недотримання

попереджувальних написів і вказівок щодо безпечної роботи може призвести до ураження електричним струмом, пожежі та/або серйозних травм персоналу.

**Зберігайте всі попереджувальні написи та вказівки щодо безпечної роботи для використання в майбутньому.** Термін «електричний інструмент», що використовується у всіх застережливих написах та вказівках щодо техніки безпеки, представлених нижче, відноситься до електричного інструменту, який працює від мережі (зі шнуром електроживлення) або від акумуляторної батареї (без шнура живлення).

### 1. Вказівки з безпеки на робочому місці

- a. **Робоче місце має утримуватися в чистоті та має бути обладнане належним освітленням.** Безлад або погане освітлення на робочому місці може призвести до нещасного випадку.
- b. **Забороняється використання електричного інструменту у вибухонебезпечному середовищі, наприклад, в умовах наявності легкозаймистих рідин, газів або пилу.** Іскри, що виникають при роботі електричного інструменту, можуть запалити пил, пари і гази.
- c. **Забороняється перебування дітей та сторонніх осіб поблизу працюючого електричного інструменту.** Відволікаючі фактори можуть призвести до втрати контролю за роботою інструменту.

### 2. Електрична безпека

- a. **Вилка шнура електричного інструменту повинна відповідати мережевій розетці.** Забороняється вносити будь-які зміни у вилку електричного шнура. Забороняється використання будь-яких штепсельних перехідників при роботі заземленого електричного інструменту. Відсутність змін у вилках електричних шнурів та

відповідність електричних вилок і розеток знижує ризик ураження електричним струмом.

- b. **Не допускайте контакту тіла із заземленими поверхнями таких об'єктів, як труби, радіатори, електророзетки та холодилики.** Якщо ваше тіло заземлене, ризик ураження електричним струмом підвищується.
- c. **Електричні інструменти не мають піддаватися впливу дощу та знаходитися в умовах підвищеної вологості.** При попаданні вологи всередину електричного інструменту підвищується ризик ураження електричним струмом.
- d. **Забороняється використовувати електричний шнур не за призначенням.** Ніколи не беріть, не тягніть та не виймайте електричний інструмент за шнур. Електричний шнур не має знаходитися поблизу джерел тепла, масла, гострих країв та рухомих деталей. Пошкоджені та закручені електричні шнури підвищують ризик ураження електричним струмом.
- e. **При роботі електричного інструменту на відкритому повітрі використовуйте відповідний подовжувач.** Використання подовжувача, призначеного для роботи на відкритому повітрі, знижує ризик ураження електричним струмом.
- f. **Якщо роботи за допомогою електричного інструменту всередині вологого приміщення обов'язково мають бути виконані, в такому випадку необхідно використовувати пристрій захисного відключення (ПЗВ) електричної мережі.** Використання ПЗВ знижує ризик ураження електричним струмом.

### 3. Безпека персоналу

- a. **При роботі з електричним інструментом необхідно бути обачним, бачити виконувану роботу та керуватися здоровим глуздом.** Забороняється працювати з електричним інструментом у стані втоми та під впливом наркотиків, алкоголю і лікарських препаратів. Ослаблення уваги навіть на мить може призвести до серйозної травми.
- b. **Використовуйте засоби індивідуального захисту.** Завжди надягайте засоби захисту очей. Використовувані у відповідних умовах засоби індивідуального захисту, такі як пилезахисна маска, не ковзаюче захисне взуття, захисна каска або засоби захисту органів слуху завжди знижують ризик травмування.

- c. Не допускайте ненавмисного вмикання інструменту. Перш ніж підключити джерело живлення або акумулятор, піднімаючи або несучи інструмент, переконайтесь, що його вимикач знаходиться у вимкненому положенні. Розташування пальця на вимикачі під час перенесення інструмента або перенесення увімкненого інструменту підвищує ризик нещасного випадку.
- d. Перед включенням інструменту завжди знімайте з нього регульовальний та гайковий ключ. Залишений ключ на деталі інструменту, що обертається, може призвести до травмування.
- e. Не прикладайте до інструменту надмірне зусилля під час роботи. Завжди міцно тримайтеся на ногах та зберігайте рівновагу під час роботи. Це дозволяє краще контролювати електричний інструмент в непередбачених ситуаціях.
- f. Одягайте відповідний одяг. Забороняється одягати вільний одяг та прикраси. Волосся, одяг та рукавиці повинні знаходитися на відстані від рухомих деталей інструменту. Вільний одяг, прикраси або довге волосся можуть бути захоплені рухомими деталями.
- g. Якщо встановлені пристрої підключення засобів пиловловлювання та пилозбірників, необхідно перевіряти, щоб вони були підключені та використовувалися належним чином. Використання засобів пиловловлювання знижує рівень ризику, пов'язаного з наявністю пилу в повітрі.
4. Використання та догляд за електричним інструментом
- a. Не застосовуйте надмірне зусилля до електричного інструменту. Використовуйте електричний інструмент, відповідний виконуваному завданню. При використанні належного інструменту ви виконаєте роботу краще, з меншим ризиком та зі швидкістю, на яку розрахований ваш інструмент.
- b. Забороняється використовувати інструмент, якщо його вимикач не вмикається та не вимикається. Будь-який електричний інструмент, роботою якого не можна керувати за допомогою його вимикача, являє собою небезпеку та підлягає обов'язковому ремонту.
- c. Перед виконанням регулювання електричного інструменту, заміною його приладдя і постановкою на зберігання необхідно вийняти вилку його електричного шнура з розетки та/або дістати з нього акумулятор. Така превентивна міра безпеки знижує ризик випадкового увімкнення інструменту.
- d. Зберігайте електричний інструмент, який в даний момент не використовується, в недоступному для дітей місці та не дозволяйте працювати з інструментом особам, які не знайомі з ним або з цими вказівками. Електричний інструмент є небезпечним в руках ненавченої людини.
- e. Підтримуйте інструмент в робочому стані. Перевіряйте центровку та з'єднання рухомих деталей, наявність пошкоджених деталей та будь-які фактори, які можуть негативно позначитися на роботі електричного інструменту. У разі виявлення пошкодження електричний інструмент необхідно відремонтувати. Багато нещасних випадків відбувається внаслідок того, що інструмент знаходиться в неналежному стані.
- f. Ріжучі інструменти повинні бути гостро заточеними і чистими. Підтримуваний в належному робочому стані ріжучий інструмент з гострими ріжучими крайками менше застряє та легше управляється.
- g. Використовуйте електричний інструмент, приладдя, вставні різці та ін. відповідно до даних вказівок, враховуючи умови експлуатації та роботу, яка повинна бути виконана. Використання електричного інструменту з метою, відмінною від передбаченого призначення, може призвести до небезпечної ситуації.
5. Обслуговування
- a. Обслуговувати електричний інструмент повинен тільки кваліфікований ремонтний персонал, і при цьому мають використовуватися тільки оригінальні запасні деталі. Завдяки цьому буде підтримуватися безпечний робочий стан електричного інструменту.

### Додаткові вказівки щодо безпечної роботи з електричним інструментом



**Увага!** Додаткові вказівки з техніки безпеки при роботі з шліфувальними машинами.

- Під час виконання робіт, коли шліфувальна стрічка електричного інструменту може торкнутися прихованої електропроводки, інструмент необхідно тримати за діелектричну поверхню. При перерізання проводу під напругою, під напругою можуть потрапити металеві деталі електричного інструменту, внаслідок чого виникає небезпека ураження оператора електричним струмом.

- Для фіксації положення оброблюваної деталі на стійкій основі використовуйте затискачі або інші зручні і практичні засоби. Якщо тримати деталь руками або притискати її до тіла, вона буде перебувати в незакріпленому положенні, що може призвести до втрати контролю за роботою інструменту.



**Увага!** Контакт з пилом або вдихання того пилу, що виникає внаслідок шліфувальної обробки, може становити небезпеку для здоров'я шліфувальника і тих, хто перебуває поруч. Одягайте пилозахисну маску, яка спеціально розроблена для захисту від пилу й отруйних газів і гарантує захист всіх осіб, які знаходяться на робочій ділянці або заходять на неї.

- Ретельно видаліть весь пил після виконання шліфування.
- Будьте особливо уважні при шліфуванні поверхонь, покритих фарбою, яка, можливо, містить свинець, і при шліфуванні деяких дерев'яних і металевих поверхонь, які можуть бути джерелом отруйного пилу.
- Дітям і вагітним жінкам забороняється перебувати на робочій ділянці.
- Приймати їжу, пити і курити на робочому ділянці заборонено.
- Утилізуйте безпечним чином всі частинки пилу та інші відходи.
- Призначення інструменту описане в цій інструкції з експлуатації. Використання будь-якого приладдя і додаткових пристосувань разом з цим інструментом або використання інструменту з метою, не рекомендованою в цій інструкції, може призвести до виникнення ризику травмування персоналу та пошкодження майна.

## Залишковий ризик

Навіть за дотримання всіх відповідних правил техніки безпеки та використанні захисних пристроїв деякий залишковий ризик все ж залишається. Він включає:

- травми, отримані при торканні обертових і рухомих деталей;
- погіршення слуху;
- травмування при заміні деталей або аксесуарів;

- шкоду для здоров'я, викликану вдиханням пилу, що з'являється під час роботи інструменту (наприклад, при роботі з деревом, особливо з дубом, буком або ДВП);
- травми, отримані внаслідок тривалого використання інструменту. При тривалому використанні інструменту необхідно робити регулярні перерви в роботі.

## Безпека інших осіб

Цей інструмент не призначений для використання особами (включаючи дітей) з обмеженими фізичними, сенсорними або розумовими здібностями або особами, у яких відсутній необхідний досвід і знання, крім випадків, коли вони знаходяться під наглядом і отримали належні інструкції з роботи з інструментом від особи, відповідальної за їхню безпеку.

Щоб діти не гралися з інструментом, вони повинні знаходитися під наглядом.

## Наклейки на інструменті

На додаток до піктограм у цьому посібнику, на шліфувальній машині розташовані наклейки наступного змісту.



**Увага!** Перед використанням прочитайте посібник з експлуатації.



Завжди вдягайте захисні окуляри.



Застосовуйте засоби захисту органів слуху.

## Розташування дати (рис. А)

Штрих-код з датою, який також включає рік виготовлення, надрукований на корпусі.

Приклад:

2016 XX ZY  
Рік виготовлення

## Електрична безпека



Цей інструмент має подвійну ізоляцію, тому дріт заземлення йому не потрібен. Завжди перевіряйте, чи відповідає мережева напруга значенню, зазначеному в таблиці з паспортними даними.

- У разі виходу з ладу мережевого шнура відправте його в сервісний центр STANLEY для заміни.



## Використання подовжувача

- Завжди використовуйте тільки затверджений до застосування подовжувач, який відповідає вхідний (споживаний) потужності цього інструменту (дивіться технічні дані). Перевірте подовжувач перед використанням на відсутність пошкоджень, зносу і ознак старіння. У разі виявлення пошкоджень або дефектів замініть подовжувач. У разі використання кабельної котушки завжди розмотуйте подовжувач до кінця. При використанні подовжувача, який не відповідає вхідній потужності інструменту, або пошкодженого чи дефектного подовжувача, виникає небезпека виникнення пожежі та враження електричним струмом.

## Функції

Цей побутовий прилад може бути оснащений усіма або деякими з перерахованих нижче функцій.

1. Вимикач
2. Кнопка фіксації
3. Перемикач кількості обертів
4. Отвір для відведення пилу
5. Шліфувальна підшва

## Збирання



**Увага!** Перед монтажем переконайтесь, що інструмент вимкнений, а вилка шнура вийнята з розетки.

## Встановлення наждакового кола (рис. А)

- Розмістіть інструмент на столі шпинделем догори.
- Установіть наждакове коло (5) на шпindel.
- Закріпіть наждакове коло за допомогою гвинтів (6).

## Встановлення наждакового аркуша (рис. В)

**Увага!** Забороняється використовувати інструмент без встановленого наждакового аркуша або приладдя.

- Притисніть щільно і рівномірно аркуш до диска (5) так, щоб отвори в аркуші співпадали з отворами в диску.

## Установка і зняття пилозбірного мішка (рис. С)

- Розмістіть пилозбірний мішок (7) на отворі для видалення пилу (4).

- Щоб зняти мішок, зніміть його з отвору для видалення пилу.

## Підключення пилососа (рис. D)

- Під'єднайте шланг (8) пилососа до отвору для видалення пилу (4).

## Експлуатація

**Увага!** Дайте можливість інструменту працювати з природною швидкістю. Не перевантажуйте його.

## Перемикач кількості обертів

Регулятор обертів дозволяє підбирати швидкість роботи інструменту залежно від типу роботи.

- Встановіть регулятор обертів (3) в необхідне положення. Використовуйте високі обороти для дерева, середні обороти для одношарової фанери та синтетичних матеріалів і низькі обороти для акрилового скла, кольорових металів та для видалення фарби.

## Вмикання та вимкнення

- Щоб увімкнути інструмент, натисніть вимикач (1).
- Для тривалої роботи натисніть кнопку фіксації (2) і відпустіть вимикач.
- Щоб вимкнути інструмент, відпустіть вимикач. Щоб вимкнути інструмент після тривалої роботи, натисніть вимикач ще раз і відпустіть його.

## Автоматичне уповільнення

Ця функція обмежує оберти диска, поки він не торкається оброблюваної поверхні. Коли диск торкнеться поверхні, він почне обертатися з нормальною швидкістю.

## Очищення пилозбірного мішка

Мішок для пилу слід спорозняти кожні 10 хвилин роботи.

- Витрусіть вміст мішка, щоб спорозняти його.

## Поради щодо ефективного використання інструменту (рис.Е)

- Не застосовуйте силу до інструмента.
- Регулярно перевіряйте стан наждакового аркуша. За необхідності міняйте аркуш.
- Шліфування дерев'яних деталей завжди виконуйте вздовж волокон.

- При шліфуванні новонанесених шарів фарби, перед нанесенням нового шару використовуйте наддрібнозернистий абразив.
- При шліфуванні дуже нерівних поверхонь або зняті шарів фарби починайте роботу з грубозернистим абразивом. Обробку інших поверхонь починайте з використанням абразиву середньої зернистості. В обох випадках поступово зменшуйте зернистість абразиву і для фінішної обробки використовуйте дрібнозернистий абразив.
- Детальну інформацію про доступне приладдя можна дізнатися у роздрібного продавця.

## Приладдя

Ефективність роботи вашого інструменту залежить від використовуваного приладдя. Аксесуари STANLEY розроблені відповідно до високих стандартів якості. Їхня конструкція покращує робочі характеристики вашого інструменту. При використанні цього приладдя ви отримуєте від вашого інструменту максимальну користь.

## Технічне обслуговування

Конструкція вашого інструменту розрахована на роботу протягом тривалого періоду часу при мінімальному технічному обслуговуванні. Тривала задовільна робота інструментом забезпечується належним доглядом та регулярним очищенням.



**Увага!** Перед виконанням будь-якої операції техобслуговування вимкніть інструмент та вимкніть його шнур з мережевої розетки.

- Регулярно очищуйте вентиляційні прорізи в інструменті і зарядному пристрої за допомогою м'якої щіточки або сухої тканини.
- Регулярно очищуйте корпус двигуна за допомогою вологої тканини. Не використовуйте для очищення абразивні матеріали та засоби очищення на основі неводних розчинників.

## Захист навколишнього середовища



Окреме збирання. Цей продукт не можна викидати разом зі звичайним побутовим сміттям.

Якщо якимось ви вирішите, що ваш виріб фірми STANLEY має бути замінено, або він вам більше не потрібний, не викидайте його на смітник побутового сміття. Зробіть цей виріб доступним для спеціального збирання.



Компанія STANLEY має можливість для збору та переробки продуктів власного виробництва після закінчення їхнього терміну служби. Щоб

скористатися цією послугою, поверніть виріб компанії в офіційний сервісний центр, які збирають відпрацьовані продукти за наш рахунок.

Ви можете знайти місцезнаходження найближчого до Вас сервісного центру, зв'язавшись з місцевим офісом компанії STANLEY за адресою, вказаною в цих інструкціях. Крім того, список офіційних сервісних центрів компанії STANLEY з усіма подробицями нашого післяпродажного обслуговування та контактною інформацією міститься в Інтернеті за адресою: [www.2helpU.com](http://www.2helpU.com)

## Примітки

- Одним із принципів політики STANLEY є постійне вдосконалення наших продуктів, тому ми залишаємо за собою право змінювати характеристики наших продуктів без попереднього сповіщення.
- Перелік стандартного та додаткового обладнання може відрізнятися в залежності від країни.
- Технічні характеристики продукту в різних країнах можуть відрізнятися.
- Повна лінійка продуктів може бути в наявності не у всіх країнах. З питання наявності наших продуктів зверніться до дилерів STANLEY.

## Технічні дані

SRS480		
Вхідна напруга	Взм.ст.	220—240 В
Споживана потужність	Вт	480
Частота	Гц	50/60
Траєкторії (без навантаження)	хв <sup>-1</sup>	4000—12000
Поверхня шліфувальної підставки	мм	Ø 125
Вага	мм	2,47

## Інформація з обслуговування

STANLEY пропонує широку мережу авторизованих сервісних центрів, якими володіє компанія. Всі сервісні центри STANLEY укомплектовані навченим персоналом, який виконує ефективне і надійне сервісне обслуговування власників електричних інструментів. З питань технічних консультацій, ремонту або придбання оригінальних деталей зверніться до найближчого представництва компанії STANLEY.

# STANLEY

## Гарантійні умови

Шановний покупець!

1. Вітаємо Вас з покупкою високоякісного виробу STANLEY і висловлюємо вдячність за Ваш вибір.
2. При покупці виробу вимагайте перевірки його комплектності і справності у Вашій присутності, інструкцію з експлуатації та заповнений гарантійний талон українською мовою

В гарантійному талоні повинні бути внесені: модель, дата продажу, серійний номер, дата виробництва інструменту; назва, печатка і підпис торгової організації. За відсутності у Вас правильно заповненого гарантійного талону, а також при невідповідності зазначених у ньому даних ми будемо змушені відхилити Ваші претензії щодо якості даного виробу.

3. Щоб уникнути непорозумінь, переконливо просимо Вас перед початком роботи з виробом уважно ознайомитися з інструкцією з його експлуатації. Правовою основою справжніх гарантійних умов є чинне Законодавство. Гарантійний термін на даний виріб складає 24 місяці і обчислюється з дня продажу. У разі усунення недоліків виробу, гарантійний строк продовжується на період його перебування в ремонті. Термін служби виробу становить 5 років з дня продажу.
4. У разі виникнення будь-яких проблем у процесі експлуатації виробу рекомендуємо Вам звертатися тільки в уповноважені сервісні центри STANLEY, адреси та телефони яких Ви зможете знайти в гарантійному талоні, на сайті [www.2helpU.com](http://www.2helpU.com) або дізнатися в магазині. Наші сервісні станції - це не тільки кваліфікований ремонт, але і широкий асортимент запчастин і аксесуарів.
5. Виробник рекомендує проводити періодичну перевірку і технічне обслуговування виробу в уповноважених сервісних центрах.
6. Наші гарантійні зобов'язання поширюються тільки на несправності, виявлені протягом гарантійного терміну і викликані дефектами виробництва та \ або матеріалів.
7. Гарантійні умови не поширюються на несправності виробу, що виникли в результаті:
  - 7.1 Недотримання користувачем приписів інструкції з експлуатації виробу, застосування виробу не за призначенням, неправильного зберігання, використання приладдя, витратних матеріалів і запчастин, що не передбачені виробником.
  - 7.2 Механічного пошкодження (відколи, тріщини і руйнування) внутрішніх і зовнішніх деталей виробу, основних і допоміжних рукояток, мережевого кабелю, що викликані зовнішнім ударним або будь-яким іншим впливом

- 7.3 Потрапляння у вентиляційні отвори та проникнення всередину виробу сторонніх предметів, матеріалів або речовин, що не є відходами, які супроводжують застосування виробу за призначенням, такими як: стружка, тирса, пісок, та ін.
- 7.4 Впливу на виріб несприятливих атмосферних і інших зовнішніх факторів, таких як дощ, сніг, підвищена вологість, нагрівання, агресивні середовища, невідповідність параметрів електромережі, що зазначені на інструменті.
- 7.5 Стихійного лиха. Пошкодження або втрати виробу, що пов'язані з непередбаченими лихами, стихійними явищами, у тому числі внаслідок дії непереборної сили (пожежа, блискавка, потоп і інші природні явища), а також внаслідок перепадів напруги в електромережі та іншими причинами, які знаходяться поза контролем виробника.
8. Гарантійні умови не поширюються:
  - 8.1 На інструменти, що піддавались розкриттю, ремонту або модифікації поза уповноваженим сервісним центром.
  - 8.2 На деталі, вузли та матеріали, що мають сліди природного зносу, такі як: приводні ремені і колеса, вугільні щітки, мастило, підшипники, зубчасті зчеплення редукторів, гумові ущільнення, сальники, направляючі ролики, муфти, вимикачі, бойки, штовхачі, стволи тощо.
  - 8.3 На змінні частини: патрони, цанги, затискні гайки і фланці, фільтри, акумуляторні батареї, ножі, шліфувальні підшви, ланцюги, зірочки, пильні шини, захисні кожухи, пилки, абразиви, пильні і абразивні диски, фрези, свердла, бури тощо
  - 8.4 На несправності, що виникли в результаті перевантаження інструменту (як механічного, так і електричного), що спричинили вихід з ладу одночасно двох і більше деталей і вузлів, таких як: ротора і статора, обох обмоток статора, веденої і ведучої шестерень редуктора або інших вузлів і деталей. До безумовних ознак перевантаження виробу відносяться, крім інших: поява кольорів мінливості, деформація або оплавлення деталей і вузлів виробу, потемніння або обуглювання ізоляції проводів електродвигуна під впливом високої температури.



Виробник:

"Stanley Black & Decker Deutschland GmbH" Black-&-Decker Str.40, D-65510 Idstein, Німеччина

