

**7108**

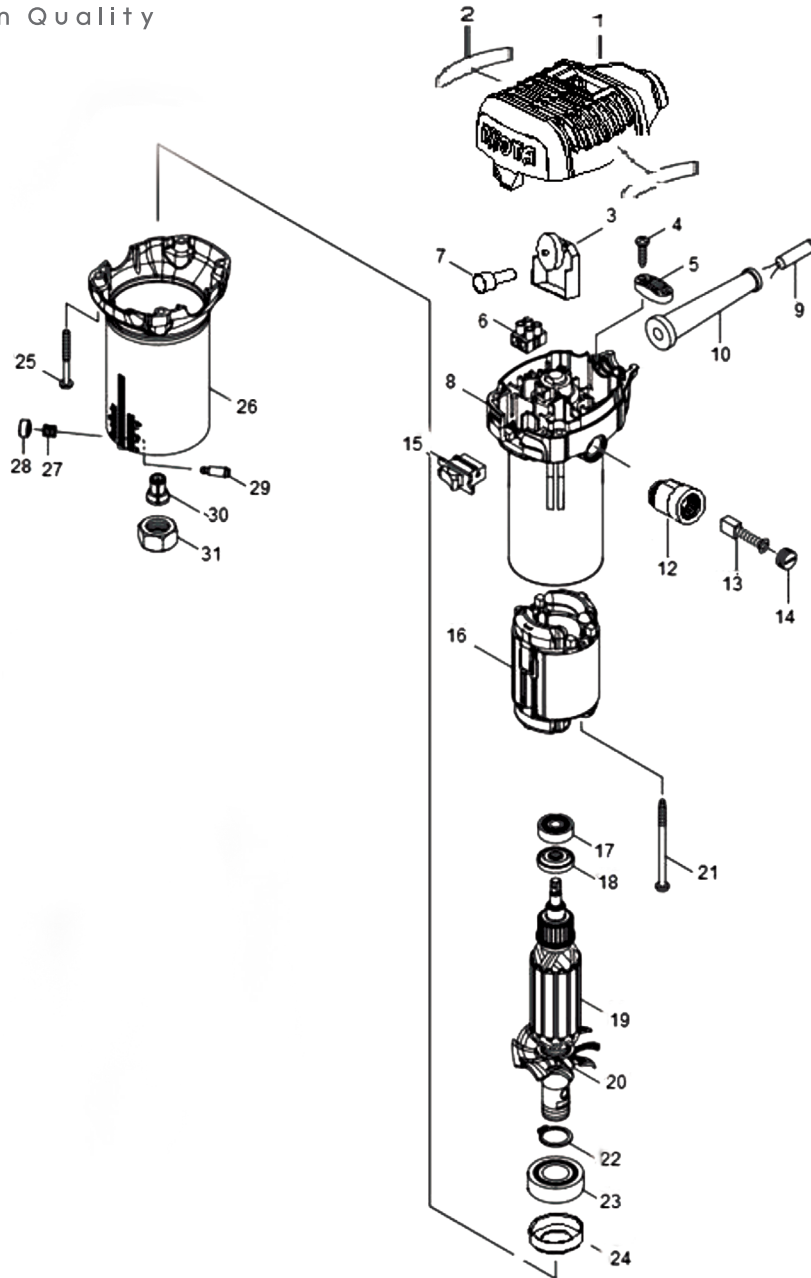
**Dual Electric Router 710W**

Number	Name
01	Screw
02	Flat Washer
03	Rectangular guide
04	Guide plate
05	Knob Grip
06	Nut
07	Open spanner
1	Airfoil screw
2	Graduated ring
3	Jump Ring
4	Flat Washer
5	Rubber ring
6	Knob
7	Self-Lock Spring
8	Instructs the circle
9	Circlip
10	Washer
11	Rod
12	Self-Lock Spring
13	Screw
14	Right Handle
15	Movable Guard
16	Pin
17	Cam Seat
18	Flat Washer
019	Screw
20	Left Handle
21	Flat Washer
22	Screw

Number	Name
23	Rod
24	Self-Lock Spring
25	Lock Lever Assy
26	Rubber Cap
27	Lock Nut
28	Chuck Nut
29	Knob spring
30	Knob Grip
31	Flat Washer
32	Spring Washer
33	Screw
34	Cam Seat
35	Screw
36	Hexagonal nut
37	Locating block
38	Steel ball
39	Self-Lock Spring
40	Screw
41	Screw
42	Disc type screw
43	Self-Lock Spring
44	Protective piece
45	Thumb knob
46	Nut
47	Guide rod support
48	Flat Washer
49	Screw
50	Round iron
51	pedestal

Number	Name
54	Base Floor
55	Screw
56	Spring Washer
57	Flat Washer
58	Flat Base Screw

## POWER TOOLS



Number	Name
01	Head Cover
03	Speed controler
04	Pointed self-Tapping Screws
05	Tension Disc
06	Line Bank
07	Line Bank
08	Plastic housing
09	Cord Plug
10	Cord Sleeve
12	Carbon Brush Holder
13	Carbon Brush
14	Carbon Cover
15	Switch
16	Stator Assy
17	Bearing
18	Creepage Retaining Ring
20	Fan
21	Tapping Screw
22	Jump Ring
23	Bearing
24	Bearing Block
25	Tapping Screw
26	Housing
27	Self-Lock Spring
28	Self-Lock Cap
29	Self-lock Pin
30	Chuck 6
30	Chuck 8
31	Chuck Nut
32	Armature