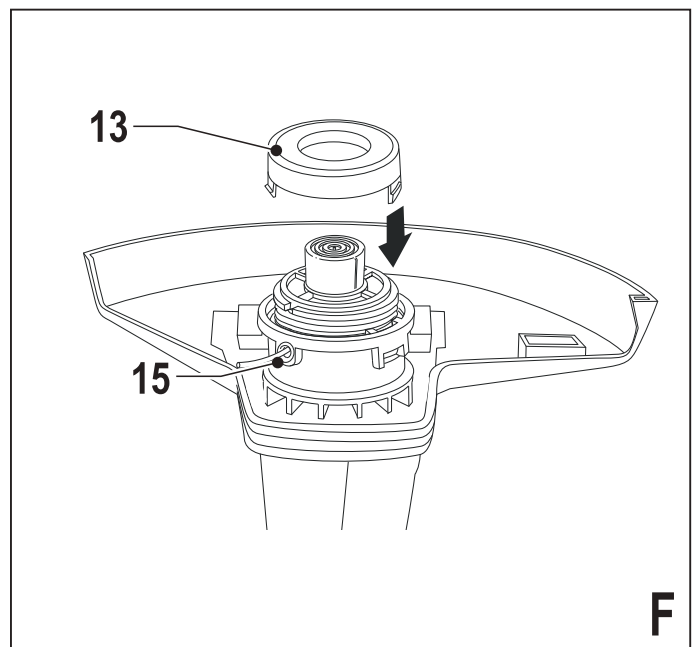
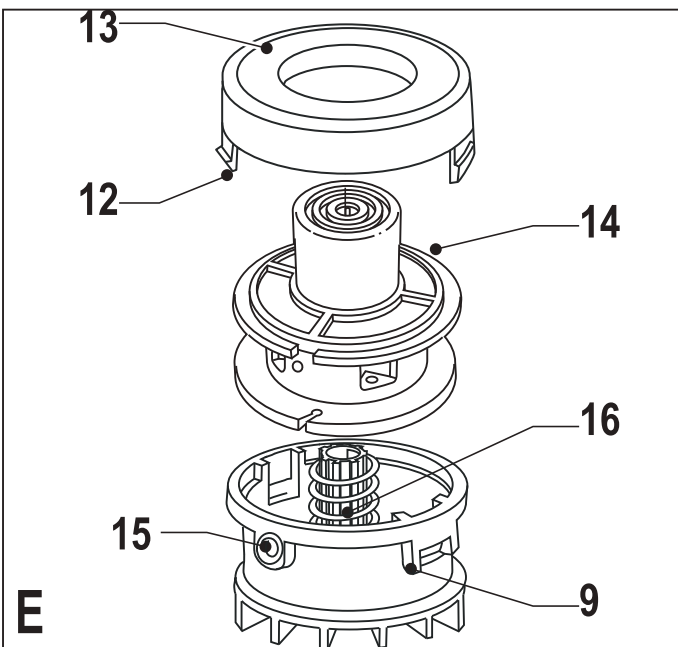
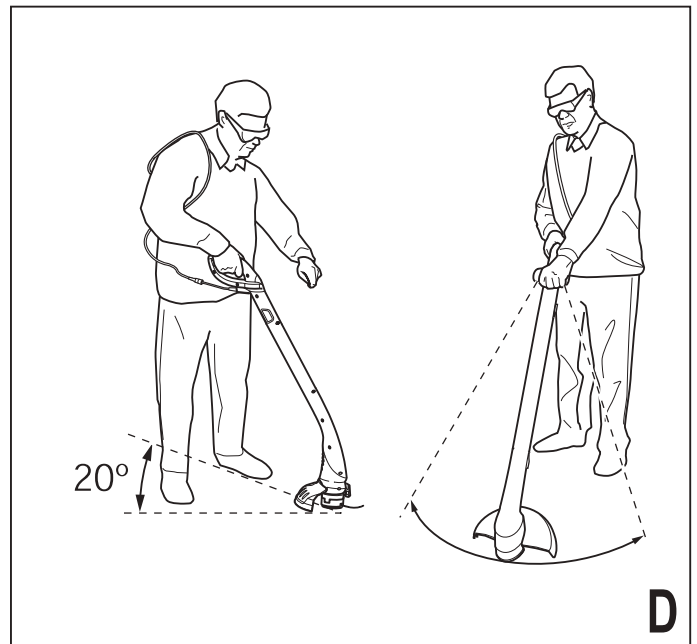
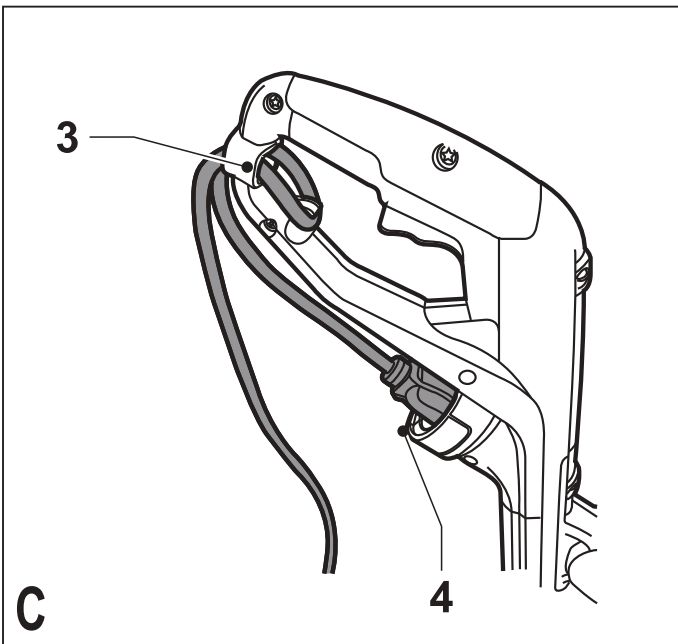
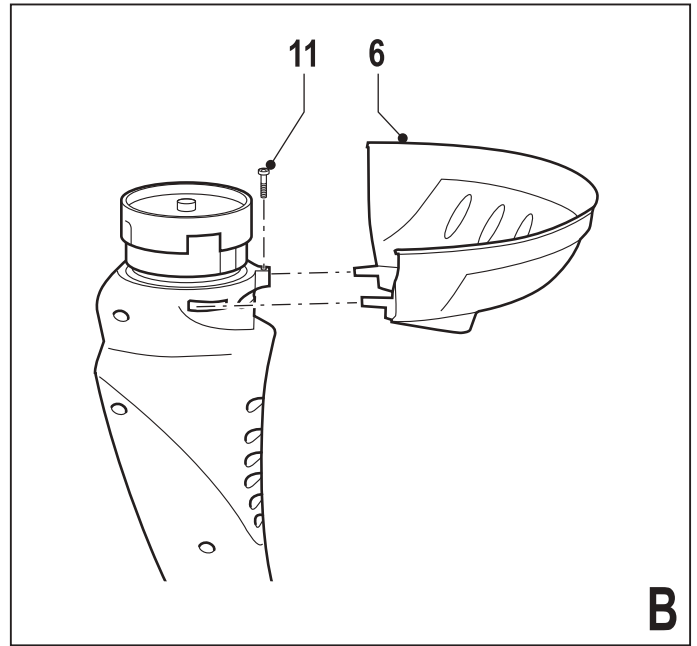
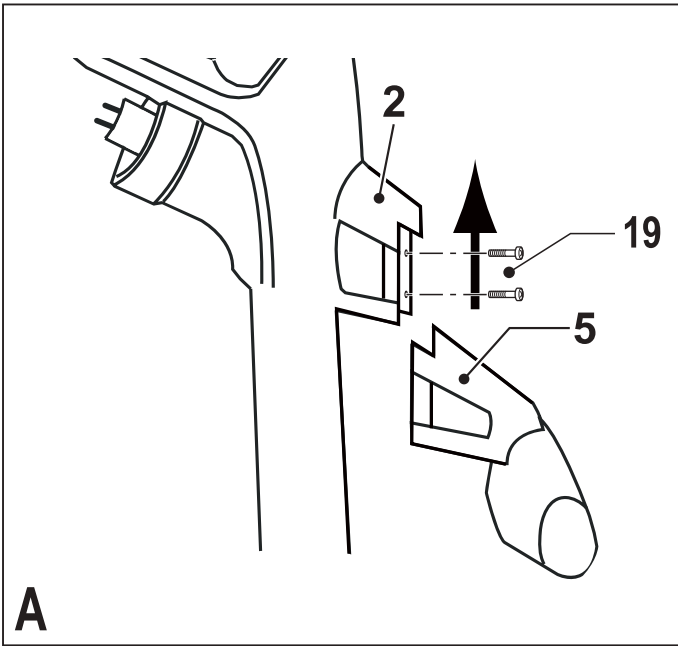
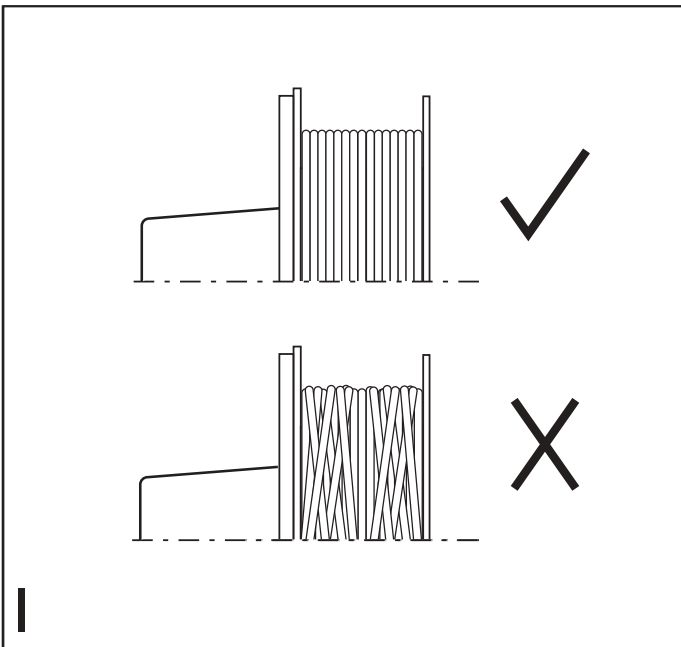
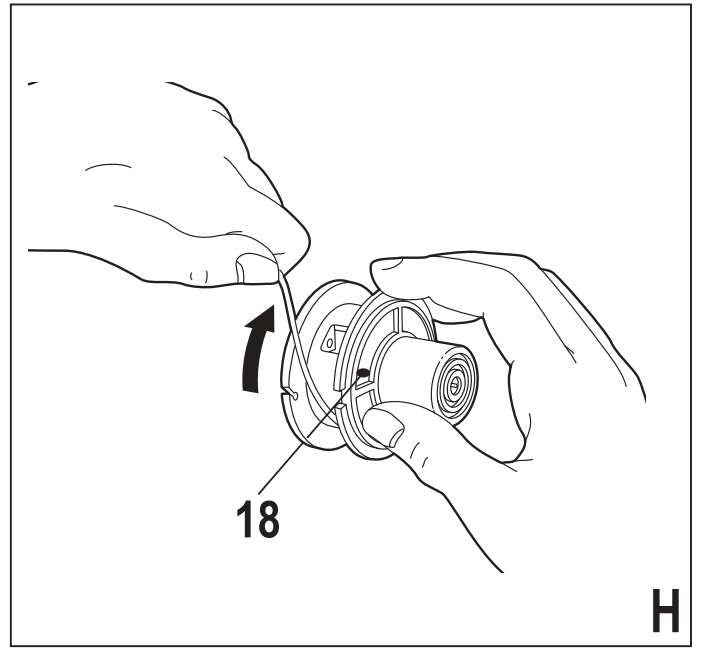
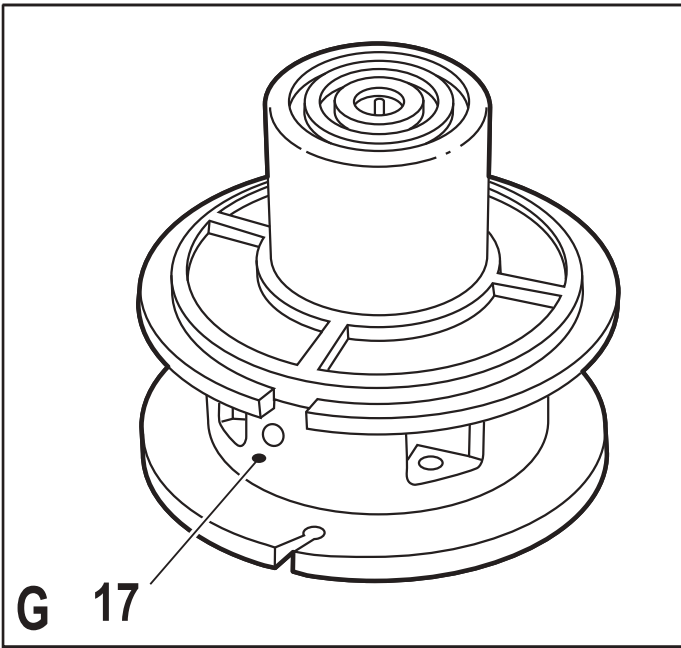


GL250
GL310
GL360

| | | |
|---------------------|--|-----------|
| English | (Original instructions) | 5 |
| Deutsch | (Übersetzung der Originalanleitung) | 11 |
| Français | (Traduction des instructions d'origine) | 17 |
| Česky | (Přeloženo z původního návodu) | 23 |
| Magyar | (Fordítás az eredeti kezelési utasítás alapján készült) | 29 |
| Polski | (Tłumaczenie oryginalnej instrukcji) | 36 |
| Slovenčina | (Preložené z pôvodného návodu) | 43 |
| Русский язык | (Перевод с оригинала инструкции) | 49 |
| Українська | (Переклад оригінальних інструкцій) | 56 |
| Türkçe | (Çevirisi orijinal talimatlardan yapılmıştır) | 63 |





Intended use

Your Black & Decker trimmer has been designed for trimming and finishing lawn edges and to cut grass in confined spaces. This appliance is intended for consumer use only.

Safety instructions

Warning! When using mains-powered appliances, basic safety precautions, including the following, should always be followed to reduce the risk of fire, electric shock, personal injury and material damage.

Warning! When using the machine the safety rules must be followed. For your own safety and bystanders please read these instructions before operating the machine. Please keep the instructions safe for later use.

- ◆ Read all of this manual carefully before operating the appliance.
- ◆ The intended use is described in this manual. The use of any accessory or attachment or the performance of any operation with this appliance other than those recommended in this instruction manual may present a risk of personal injury.
- ◆ Retain this manual for future reference.

Using your appliance

Always take care when using the appliance.

- ◆ Always use safety glasses or goggles.
- ◆ Never allow children or people unfamiliar with the instructions to use the appliance.
- ◆ Do not allow children or animals to come near the work area or to touch the appliance or power supply cord.
- ◆ Close supervision is necessary when the appliance is used near children.
- ◆ This appliance is not intended for use by young or infirm persons without supervision.
- ◆ This appliance is not to be used as a toy.
- ◆ Only use the appliance in daylight or good artificial light.
- ◆ Use in a dry location only. Do not allow the appliance to become wet.
- ◆ Do not immerse the appliance in water.
- ◆ Do not open the body casing. There are not user-serviceable parts inside.
- ◆ Do not operate the appliance in explosive atmospheres, such as in the presence of flammable liquids, gases or dust.
- ◆ To reduce the risk of damage to plugs or cords, never pull the cable to remove the plug from a socket.

Safety of others

- ◆ This appliance is not intended for use by persons (including children) with reduced physical, sensory or mental capabilities, or lack of experience and knowledge, unless they have been given supervision or instruction concerning use of the appliance by a person responsible for their safety.
- ◆ Children must be supervised to ensure that they do not play with the appliance.

Residual risks.

Additional residual risks may arise when using the tool which may not be included in the enclosed safety warnings. These risks can arise from misuse, prolonged use etc.

Even with the application of the relevant safety regulations and the implementation of safety devices, certain residual risks can not be avoided. These include:

- ◆ **Injuries caused by touching any rotating/moving parts.**
- ◆ **Injuries caused when changing any parts, blades or accessories.**
- ◆ **Injuries caused by prolonged use of a tool. When using any tool for prolonged periods ensure you take regular breaks.**
- ◆ **Impairment of hearing.**
- ◆ **Health hazards caused by breathing dust developed when using your tool (example: working with wood, especially oak, beech and MDF.)**

After use

- ◆ When not in use, the appliance should be stored in a dry, well ventilated place out of reach of children.
- ◆ Children should not have access to stored appliances.
- ◆ When the appliance is stored or transported in a vehicle it should be placed in the boot or restrained to prevent movement following sudden changes in speed or direction.

Inspection and repairs

- ◆ Before use, check the appliance for damaged or defective parts. Check for breakage of parts and any other conditions that may affect its operation.
- ◆ Do not use the appliance if any part is damaged or defective.
- ◆ Have any damaged or defective parts repaired or replaced by an authorised repair agent.
- ◆ Never attempt to remove or replace any parts other than those specified in this manual.

Using an extension cable

Always use an approved extension cable suitable for the power input of this appliance (see technical data). The extension cable must be suitable for outdoor use and marked accordingly. Up to 30 m of 1.5 mm² HO5VV-F extension cable can be used without loss of product performance. Before use, inspect the extension cable for signs of damage, wear and ageing. Replace the extension cable if damaged or defective. When using a cable reel, always unwind the cable completely.

Additional safety instructions for grass trimmers

Warning! Cutting elements continue to rotate after the motor is switched off.

- ◆ Be familiar with the controls and the proper use of the appliance.
- ◆ Before use, check the power supply cord and extension cord for signs of damage, ageing and wear. If a cord becomes damaged during use, disconnect the cord from the mains supply immediately. **DO NOT TOUCH THE CORD BEFORE DISCONNECTING THE SUPPLY.**
- ◆ Do not use the appliance if the cords are damaged or worn.
- ◆ Wear stout shoes or boots to protect your feet.
- ◆ Wear long trousers to protect your legs.
- ◆ Before using the appliance, check that your cutting path is free from sticks, stones, wire and any other obstacles.
- ◆ Only use the appliance in the upright position, with the cutting line near the ground. Never switch the appliance on in any other position.
- ◆ Move slowly when using the appliance. Be aware that freshly cut grass is damp and slippery.
- ◆ Do not work on steep slopes. Work across the face of slopes, not up and down.
- ◆ Never cross gravel paths or roads while the appliance is running.
- ◆ Never touch the cutting line while the appliance is running.
- ◆ Do not put the appliance down until the cutting line has come to a complete standstill.
- ◆ Use only the appropriate type of cutting line. Never use metal cutting line or fishing line.
- ◆ Be careful not to touch the line trimming blade.
- ◆ Take care to keep the mains cable away from the cutting line. Always be aware of the position of the cable.
- ◆ Keep hands and feet away from the cutting line at all times, especially when switching on the motor.

- ◆ Before using the appliance and after any impact, check for signs of wear or damage and repair as necessary.
- ◆ Never operate the appliance with damaged guards or without guards in place.
- ◆ Take care against injury from any device fitted for trimming the filament line length. After extending new cutter line always return the machine to its normal operating position before switching on.
- ◆ Always ensure that the ventilation slots are kept clear of debris.
- ◆ Do not use the lawn trimmer (edge trimmer), if the cords are damaged or worn.
- ◆ Keep extension cords away from cutting elements.

Labels on appliance

The following warning symbols are found on the appliance:



Read the manual prior to operation.



Wear safety glasses or goggles when operating this appliance.



Wear suitable ear protectors when operating this appliance.



Always remove the plug from the socket before inspecting a damaged cable. Be careful not to use your strimmer if the cable is damaged.



Beware of flying objects. Keep bystanders away from the cutting area.



Do not expose the appliance to rain or high humidity.



Directive 2000/14/EC guaranteed sound power.

Electrical safety



This appliance is double insulated; therefore no earth wire is required. Always check that the power supply corresponds to the voltage on the rating plate.

- ◆ If the supply cord is damaged, it must be replaced by the manufacturer or an authorised Black & Decker Service Centre in order to avoid a hazard.

- ◆ Electric safety can be further improved by using a high-sensitivity 30 mA Residual Current Device (RCD).

Features

This appliance includes some or all of the following features.

1. On/off switch
2. Handle
3. Cable restraint
4. Power inlet
5. Second handle
6. Guard
7. Line trimming blade
8. Cutting line
9. Spool housing
10. Head

Assembly

Warning! Before assembly, make sure that the tool is switched off and unplugged.

Attaching the second handle (fig. A) (GL310 & GL360 only)

- ◆ Slide the second handle (5) on to the main handle (2) in an upwards direction.
- ◆ Secure the second handle in place with the two screws provided.

Fitting the guard (fig. B)

- ◆ Place the guard onto the tool as shown.
- ◆ Firmly press the guard (6) until it snaps into place.
- ◆ Secure the guard with the screw.

Warning! Never use the tool unless the guard is properly fitted.

Releasing the cutting line

In transit, the cutting line is taped to the spool housing.

- ◆ Remove the tape holding the cutting line (8) to the spool housing (9).

Connecting the tool to the mains (fig. C)

- ◆ Connect the female plug of a suitable extension cable to the power inlet (4).
- ◆ Loop the cable through the cable restraint (3).
- ◆ Insert the mains plug into a mains outlet.

For wired in cable units: Make sure the cable is looped through the cable restraint prior to connecting the plug to the mains outlet.

Warning! The extension cable must be suitable for outdoor use.

Use

Warning! Let the tool work at its own pace. Do not overload.

Switching on and off

- ◆ To switch the tool on, squeeze the trigger lever (1).
- ◆ To switch the tool off, release the trigger lever.

Warning! Never attempt to lock the trigger lever in the on position.

Hints for optimum use

General

- ◆ In order to achieve optimum cutting results, only cut dry grass.

Trimming

- ◆ Hold the tool as shown in fig. D.
- ◆ Gently swing the trimmer from side to side.
- ◆ When cutting long grass, work in stages from the top. Take small cuts.
- ◆ Keep the tool away from hard objects and delicate plants.
- ◆ Cutting line will wear faster and require more feeding if the cutting is done along pavements or other abrasive surfaces or heavier weeds are being cut.
- ◆ As you use the trimmer, the string will get shorter due to wear. Gently bump the unit on the ground whilst running and the line will feed.
- ◆ If the tool starts running slowly, reduce the load.

Fitting a new spool of cutting line (fig. E - F)

Replacement spools of cutting line are available from your Black & Decker dealer (cat. no. A6226).

- ◆ Keep the tabs (12) depressed and remove the spool cover (13) from the housing (9).
- ◆ Remove the empty spool (14) from the spool housing.
- ◆ Remove any dirt and grass from the spool cover and housing.
- ◆ Take the new spool and unwind approximately 10 cm of cutting line.
- ◆ Feed the cutting line through the eyelet (15).
- ◆ Push the spool onto the drive shaft (16) and rotate it slightly until it is seated. Make sure that the cutting line is not trapped under the spool and that 10 cm of cutting line protrudes from the housing.
- ◆ Align the tabs (12) on the spool cover with the holes in the housing (15).
- ◆ Push the cover onto the housing until it snaps securely into place.

Warning! If the cutting line protrudes beyond the trimming blade (7), cut it off so that it just reaches the blade.

Winding a new cutting line onto an empty spool (fig. G - I)

You may wind new cutting line onto an empty spool. Replacement packs of cutting line are available from your Black & Decker dealer (cat. no. A6170 (25 m), A6046 (37.5 m) & A6171 (40 m)).

- ◆ Remove the empty spool from the tool as described above.
- ◆ Remove any remaining cutting line from the spool.
- ◆ Feed 2 cm of cutting line into one of the holes (17) in the spool as shown.
- ◆ Wind the cutting line onto the spool in the direction of the arrow (18). Make sure to wind the line on neatly and in layers. Do not criss-cross.
- ◆ Let the line protrude approximately 10 cm from the spool and hold a finger on the line to keep it in place.
- ◆ Proceed as described above to fit the spool on the tool.

Warning! Only use the appropriate type of Black & Decker cutting line.

Mains plug replacement (U.K. & Ireland only)

If a new mains plug needs to be fitted:

- ◆ Safely dispose of the old plug.
- ◆ Connect the brown lead to the live terminal in the new plug.
- ◆ Connect the blue lead to the neutral terminal.

Warning! No connection is to be made to the earth terminal. Follow the fitting instructions supplied with good quality plugs. Recommended fuse: 5 A.

Troubleshooting

If your tool seems not to operate properly, follow the instructions below. If this does not solve the problem, please contact your local Black & Decker repair agent.

Warning! Before proceeding, unplug the tool.

Appliance runs slowly

- ◆ Check that the spool housing can rotate freely. Carefully clean it if necessary.
- ◆ Check that the cutting line does not protrude more than 11 cm from the spool housing. If it does, cut it off so that it just reaches the line trimming blade.

If the bump feed does not work

- ◆ Keep the tabs depressed and remove the spool cover from the housing.
- ◆ Pull the cutting line until it protrudes 11 cm from the housing. If insufficient cutting line is left on the spool, install a new spool of cutting line as instructed above.
- ◆ Align the tabs on the spool cover with the cut outs in the housing.
- ◆ Push the cover onto the housing until it snaps securely into place.
- ◆ If the cutting line protrudes beyond the trimming blade, cut it off so that it just reaches the blade.

If the bump feed still does not work or the spool is jammed, try the following suggestions:

- ◆ Carefully clean the spool cover and housing.
- ◆ Remove the spool and check that the spring is in place.
- ◆ Remove the spool and unwind the cutting line, then wind it on neatly again as described above. Replace the spool as instructed.

Maintenance

Your Black & Decker corded/cordless appliance/tool has been designed to operate over a long period of time with a minimum of maintenance. Continuous satisfactory operation depends upon proper tool/appliance care and regular cleaning.

Warning! Before performing any maintenance on corded/ cordless power tools:

- ◆ Switch off and unplug the appliance/tool.
- ◆ Or switch off and remove the battery from the appliance/ tool if the appliance/tool has a separate battery pack.
- ◆ Or run the battery down completely if it is integral and then switch off.
- ◆ Unplug the charger before cleaning it. Your charger does not require any maintenance apart from regular cleaning.
- ◆ Regularly clean the ventilation slots in your tool/appliance and charger using a soft brush or dry cloth.
- ◆ Regularly clean the motor housing using a damp cloth. Do not use any abrasive or solvent-based cleaner.

Protecting the environment



Separate collection. This product must not be disposed of with normal household waste.

Should you find one day that your Black & Decker product needs replacement, or if it is of no further

use to you, do not dispose of it with household waste. Make this product available for separate collection.



Separate collection of used products and packaging allows materials to be recycled and used again. Re-use of recycled materials helps prevent environmental pollution and reduces the demand for raw materials.

Local regulations may provide for separate collection of electrical products from the household, at municipal waste sites or by the retailer when you purchase a new product.

Black & Decker provides a facility for the collection and recycling of Black & Decker products once they have reached the end of their working life. To take advantage of this service please return your product to any authorised repair agent who will collect them on our behalf.

You can check the location of your nearest authorised repair agent by contacting your local Black & Decker office at the address indicated in this manual. Alternatively, a list of authorised Black & Decker repair agents and full details of our after-sales service and contacts are available on the Internet at: www.2helpU.com

Technical data

| | | GL250 | GL310 | GL360 |
|---------------|-------------------|--------|--------|--------|
| | | Type 1 | Type 1 | Type 1 |
| Input Voltage | V _{AC} | 230 | 230 | 230 |
| Power Input | W | 250 | 300 | 350 |
| No-Load Speed | min ⁻¹ | 11500 | 11500 | 11500 |
| Weight | kg | 1.3 | 1.6 | 1.6 |

Hand/arm weighted vibration value according to EN 786: = 7.5 m/s², uncertainty (K) = 1.5 m/s².

L_{PA} (sound pressure) 80 dB(A), uncertainty (K) = 1.5 dB(A)

EC declaration of conformity

MACHINERY DIRECTIVE
OUTDOOR NOISE DIRECTIVE



GL250/GL310/GL360

Black & Decker declares that these products described under “technical data” are in compliance with: 2006/42/EC, EN 60335-1, EN 60335-2-91

2000/14/EC, Lawn Trimmer, L ≤ 50 cm, Annex VIII
KEMA Quality B.V., Utrechtseweg 310, 6802 ED
Arnhem, The Netherlands
Notified Body ID No.: 0344

Level of accoustic power according to 2000/14/EC (Article 12, Annex III, L ≤ 50 cm):

L_{WA} (measured sound power) 94 dB(A)
uncertainty (K) = 1.5 dB(A)
L_{WA} (guaranteed sound power) 96 dB(A)
uncertainty (K) = 1.5 dB(A)

These products also comply with directive 2004/108/EC. For more information, please contact Black & Decker at the following address or refer to the back of the manual. The undersigned is responsible for compilation of the technical file and makes this declaration on behalf of Black & Decker.

Kevin Hewitt
Vice-President
Global Engineering
Black & Decker Europe,
210 Bath Road, Slough,
Berkshire, SL1 3YD
United Kingdom
25.10.2010

Guarantee

Black & Decker is confident of the quality of its products and offers an outstanding guarantee. This guarantee statement is in addition to and in no way prejudices your statutory rights. The guarantee is valid within the territories of the Member States of the European Union and the European Free Trade Area.

If a Black & Decker product becomes defective due to faulty materials, workmanship or lack of conformity, within 24 months from the date of purchase, Black & Decker guarantees to replace defective parts, repair products subjected to fair wear and tear or replace such products to ensure minimum inconvenience to the customer unless:

ENGLISH

- ◆ The product has been used for trade, professional or hire purposes;
- ◆ The product has been subjected to misuse or neglect;
- ◆ The product has sustained damage through foreign objects, substances or accidents;
- ◆ Repairs have been attempted by persons other than authorised repair agents or Black & Decker service staff.

To claim on the guarantee, you will need to submit proof of purchase to the seller or an authorised repair agent. You can check the location of your nearest authorised repair agent by contacting your local Black & Decker office at the address indicated in this manual. Alternatively, a list of authorised Black & Decker repair agents and full details of our after-sales service and contacts are available on the Internet at: **www.2helpU.com**

Please visit our website

www.blackanddecker.co.uk to register your new Black & Decker product and to be kept up to date on new products and special offers. Further information on the Black & Decker brand and our range of products is available at **www.blackanddecker.co.uk**.

Bestimmungsgemäße Verwendung

Ihr Black & Decker Rasentrimmer wurde für das Trimmen und Zuschneiden von Rasenkanten sowie für das Schneiden von Gras in beengten Platzverhältnissen entwickelt. Dieses Gerät ist nicht für den gewerblichen Einsatz vorgesehen.

Sicherheitshinweise

Achtung! Beachten Sie beim Umgang mit netzstrombetriebenen Geräten stets die grundlegenden Sicherheitshinweise, die im Folgenden beschrieben werden. Dadurch verhindern Sie Brände, Stromschläge sowie Sach- und Personenschäden.

Achtung! Beachten Sie beim Verwenden des Geräts unbedingt die Sicherheitsregeln. Lesen Sie zu Ihrer eigenen Sicherheit und zum Schutz in der Nähe befindlicher Personen vor Gebrauch des Geräts die folgende Bedienungsanleitung.

Heben Sie diese Anleitung zur späteren Verwendung gut auf.

- ◆ Lesen Sie diese Anleitung vollständig und aufmerksam durch, bevor Sie das Gerät verwenden.
- ◆ Der vorgesehene Verwendungszweck ist in dieser Anleitung beschrieben. Bei Verwendung von Zubehör oder Anbauteilen, die nicht in dieser Anleitung empfohlen werden, sowie bei der Verwendung des Geräts in Abweichung von den in dieser Anleitung beschriebenen Verfahren besteht Verletzungsgefahr.
- ◆ Bewahren Sie diese Anleitung auf.

Verwendung des Geräts

Verwenden Sie das Gerät stets mit Umsicht.

- ◆ Tragen Sie stets eine Schutzbrille.
- ◆ Das Gerät darf nicht von Kindern und Personen genutzt werden, die die vorliegenden Anleitungen nicht gelesen haben.
- ◆ Achten Sie darauf, dass sich im Arbeitsbereich keine Kinder oder Tiere aufhalten. Verhindern Sie, dass Kinder das Gerät oder das Netzkabel berühren.
- ◆ Seien Sie besonders vorsichtig, wenn Sie das Gerät in der Nähe von Kindern verwenden.
- ◆ Das Gerät ist nicht für die unbeaufsichtigte Verwendung durch Kinder oder gebrechliche Personen vorgesehen.
- ◆ Das Gerät ist kein Spielzeug.
- ◆ Betreiben Sie das Gerät nur bei Tageslicht oder bei ausreichender Beleuchtung.
- ◆ Verwenden Sie das Gerät nur in trockener Umgebung. Achten Sie darauf, dass das Gerät nicht nass wird.
- ◆ Tauchen Sie das Gerät nicht in Wasser.

- ◆ Versuchen Sie nicht, das Gehäuse zu öffnen. Im Inneren befinden sich keine zu wartenden Teile.
- ◆ Betreiben Sie das Gerät nicht in explosionsgefährdeter Umgebung, in der sich brennbare Flüssigkeiten, Gase oder Staub befinden.
- ◆ Ziehen Sie niemals am Kabel, wenn Sie den Stecker aus der Steckdose ziehen möchten. Kabel und Stecker könnten sonst beschädigt werden.

Sicherheit anderer Personen

- ◆ Dieses Gerät darf nicht von Personen (einschließlich Kindern) mit eingeschränkten körperlichen, sensorischen oder geistigen Fähigkeiten sowie mangelnder Erfahrung und Kenntnissen bedient werden, es sei denn, sie werden bei der Verwendung des Geräts von einer erfahrenen Person beaufsichtigt oder angeleitet.
- ◆ Kinder müssen beaufsichtigt werden, um sicherzustellen, dass sie nicht mit dem Gerät spielen.

Restrisiken.

Für den Gebrauch dieses Geräts verbleiben zusätzliche Restrisiken, die möglicherweise nicht in den Sicherheitswarnungen genannt werden. Diese Risiken bestehen beispielsweise bei Missbrauch oder längerem Gebrauch.

Auch bei der Einhaltung der entsprechenden Sicherheitsvorschriften und der Verwendung aller Sicherheitsgeräte bestehen weiterhin bestimmte Restrisiken. Diese werden im Folgenden aufgeführt:

- ◆ **Verletzungen, die durch das Berühren von sich drehenden/bewegenden Teilen verursacht werden.**
- ◆ **Verletzungen, die durch das Austauschen von Teilen, Messern oder Zubehör verursacht werden.**
- ◆ **Verletzungen, die durch längeren Gebrauch eines Geräts verursacht werden. Legen Sie bei längerem Gebrauch regelmäßige Pausen ein.**
- ◆ **Beeinträchtigung des Gehörs.**
- ◆ **Gesundheitsrisiken durch das Einatmen von Staub bei Verwendung des Geräts (beispielsweise bei Holzarbeiten, insbesondere Eiche, Buche und Pressspan).**

Nach dem Gebrauch

- ◆ Bewahren Sie das Gerät bei Nichtgebrauch an einem trockenen, gut belüfteten Ort außerhalb der Reichweite von Kindern auf.
- ◆ Kinder sollten keinen Zugang zu aufbewahrten Geräten haben.

- ◆ Wenn das Gerät in einem Fahrzeug transportiert oder gelagert wird, bewahren Sie es im Kofferraum oder einer geeigneten Ablage auf, damit es bei plötzlichen Geschwindigkeits- oder Richtungsänderungen nicht in Bewegung geraten kann.

Inspektion und Reparaturen

- ◆ Prüfen Sie das Gerät vor der Verwendung auf beschädigte oder defekte Teile. Prüfen Sie, ob Teile beschädigt sind oder andere Bedingungen vorliegen, die die Funktion beeinträchtigen können.
- ◆ Betreiben Sie das Gerät nicht, wenn ein Teil beschädigt oder defekt ist.
- ◆ Lassen Sie beschädigte oder defekte Teile in einer Vertragswerkstatt reparieren oder austauschen.
- ◆ Ersetzen oder entfernen Sie keine Teile, für die in dieser Anleitung keine entsprechende Beschreibung enthalten ist.

Verwenden eines Verlängerungskabels

Verwenden Sie ausschließlich geprüfte Verlängerungskabel, die für die Leistungsaufnahme dieses Geräts ausgelegt sind (siehe „Technische Daten“). Das Verlängerungskabel muss für die Verwendung im Außenbereich geeignet und entsprechend markiert sein. Es kann ein 1,5 mm²-HO5VV-F-Verlängerungskabel mit einer Länge von bis zu 30 m verwendet werden, ohne dass die Leistung des Geräts beeinträchtigt wird. Prüfen Sie vor der Inbetriebnahme das Netzkabel auf Verschleiß und Beschädigungen. Wechseln Sie beschädigte oder fehlerhafte Verlängerungskabel aus. Beim Verwenden einer Kabeltrommel muss das Kabel stets vollständig abgewickelt sein.

Zusätzliche Sicherheitshinweise für Rasentrimmer

Achtung! Die Schneidevorrichtung rotiert nach Abschalten des Geräts einige Sekunden lang weiter.

- ◆ Machen Sie sich mit den Bedienelementen und dem ordnungsgemäßen Gebrauch des Geräts vertraut.
- ◆ Prüfen Sie vor der Inbetriebnahme Netz- und Verlängerungskabel auf Beschädigungen und Verschleiß. Trennen Sie das Gerät sofort vom Stromnetz, wenn ein Kabel während des Betriebs beschädigt wird. **BERÜHREN SIE DAS KABEL NICHT, SOLANGE DER STECKER NOCH IN DER NETZSTECKDOSE STECKT.**
- ◆ Verwenden Sie das Gerät nicht, wenn die Kabel beschädigt oder abgenutzt sind.

- ◆ Tragen Sie stabile Schuhe oder Stiefel, um Ihre Füße zu schützen.
- ◆ Tragen Sie lange Hosen, um Ihre Beine zu schützen.
- ◆ Vergewissern Sie sich vor Verwenden des Geräts, dass die zu beschneidende Fläche frei von Ästen, Steinen, Draht und anderen Objekten ist.
- ◆ Verwenden Sie das Gerät ausschließlich in aufrechter Stellung und mit Schneidfaden in Bodennähe. Schalten Sie das Gerät keinesfalls in einer anderen Stellung ein.
- ◆ Achten Sie bei Verwendung des Geräts auf langsame Bewegungen. Bedenken Sie, dass frisch gemähtes Gras feucht und rutschig sein kann.
- ◆ Arbeiten Sie nie an steilen Hängen. Schieben Sie das Gerät immer parallel zum Hang, nie den Hang hinauf oder hinunter.
- ◆ Schalten Sie das Gerät vor dem Überqueren von Kieswegen und Straßen aus.
- ◆ Berühren Sie niemals den Schneidfaden, während sich das Gerät in Betrieb befindet.
- ◆ Warten Sie stets, bis der Schneidfaden vollständig zum Stillstand gekommen ist, bevor Sie das Gerät absetzen.
- ◆ Verwenden Sie ausschließlich geeignete Schneidfäden. Verwenden Sie keinesfalls Schneidfäden aus Metall oder Angelschnur.
- ◆ Berühren Sie auf keinen Fall das Fadenschneidmesser.
- ◆ Achten Sie darauf, dass das Stromkabel nicht in die Nähe des Schneidfadens gerät. Achten Sie stets auf die Lage des Stromkabels.
- ◆ Halten Sie Hände und Füße stets vom Schneidfaden fern, insbesondere beim Einschalten des Geräts.
- ◆ Überprüfen Sie das Gerät vor Gebrauch und nach Stößen auf Beschädigungen und Verschleiß, und veranlassen Sie notwendige Reparaturmaßnahmen.
- ◆ Betreiben Sie keinesfalls das Gerät, wenn die Schutzvorrichtungen beschädigt oder nicht ordnungsgemäß angebracht sind.
- ◆ Schützen Sie sich vor Verletzungen beim Verwenden von Geräten zum Verkürzen des Schneidfadens. Bringen Sie nach Herausziehen des neuen Schneidfadens das Gerät vor dem Einschalten in die normale Betriebsposition.
- ◆ Stellen Sie stets sicher, dass die Lüftungsschlitze frei von Verschmutzungen sind.
- ◆ Verwenden Sie den Rasentrimmer (Kantentrimmer) nicht, wenn die Kabel beschädigt oder abgenutzt sind.

- ◆ Halten Sie Verlängerungskabel von der Schneidvorrichtung fern.

Warnsymbole am Gerät

Am Gerät sind die folgenden Warnsymbole angebracht:



Lesen Sie vor Inbetriebnahme die Bedienungsanleitung.



Tragen Sie eine Schutzbrille, wenn Sie mit dem Gerät arbeiten.



Tragen Sie einen geeigneten Gehörschutz, wenn Sie mit dem Gerät arbeiten.



Ziehen Sie stets den Stecker aus der Netzsteckdose, bevor Sie das Kabel auf Schäden überprüfen. Verwenden Sie den Rasentrimmer auf keinen Fall, wenn das Kabel beschädigt ist.



Achten Sie auf Gegenstände, die eventuell umhergeschleudert werden. Halten Sie andere Personen von der Schneidzone fern.



Schützen Sie das Gerät vor Feuchtigkeit und Regen.



Garantierter Schalldruckpegel, gemessen nach Richtlinie 2000/14/EG.

Elektrische Sicherheit



Dieses Gerät ist schutzisoliert, daher ist keine Masseleitung erforderlich. Überprüfen Sie stets, ob die Netzspannung der auf dem Typenschild des Geräts angegebenen Spannung entspricht.

- ◆ Ist das Netzkabel beschädigt, muss es durch den Hersteller oder eine Black & Decker Vertragswerkstatt ausgetauscht werden, um eine mögliche Gefährdung zu vermeiden.
- ◆ Die Verwendung eines Fehlerstromschutzschalters (30 mA) erhöht die elektrische Sicherheit.

Merkmale

Dieses Gerät verfügt über einige oder alle der folgenden Merkmale:

1. Ein-/Ausschalter
2. Handgriff
3. Kabelhalterung
4. Netzanschluss
5. Zusatzgriff
6. Schutzvorrichtung
7. Fadenschneidemesser

8. Schneidfaden
9. Spulengehäuse
10. Kopf

Montage

Achtung! Vergewissern Sie sich vor der Montage, dass das Gerät ausgeschaltet ist und der Netzstecker gezogen wurde.

Anbringen des Zusatzgriffs (Abb. A) (nur GL310 und GL360)

- ◆ Schieben Sie den Zusatzgriff (5) von unten auf den Hauptgriff (2).
- ◆ Fixieren Sie den Zusatzgriff mithilfe der beiden mitgelieferten Schrauben.

Anbringen der Schutzvorrichtung (Abb. B)

- ◆ Bringen Sie die Schutzvorrichtung wie dargestellt am Gerät an.
- ◆ Drücken Sie die Schutzvorrichtung (6) in ihre Position, bis sie einrastet.
- ◆ Fixieren Sie die Schutzvorrichtung mit der Schraube.

Achtung! Verwenden Sie das Gerät ausschließlich mit ordnungsgemäß angebrachter Schutzvorrichtung.

Freigeben des Schneidfadens

Während des Transports ist der Schneidfaden mit Klebeband am Spulengehäuse befestigt.

- ◆ Entfernen Sie das Klebeband, mit dem der Schneidfaden (8) am Spulengehäuse (9) befestigt ist.

Anschließen des Geräts an die Netzstromversorgung (Abb. C)

- ◆ Verbinden Sie die Steckerbuchse eines geeigneten Verlängerungskabels mit dem Netzanschluss (4).
- ◆ Führen Sie das Kabel durch die Kabelhalterung (3).
- ◆ Stecken Sie den Netzstecker in die Steckdose. Bei der Verwendung von Kabelaufrollvorrichtungen: Stellen Sie sicher, dass das Kabel in der Kabelhalterung befestigt ist, bevor Sie den Netzstecker in die Steckdose stecken.

Achtung! Das Verlängerungskabel muss für die Verwendung im Freien geeignet sein.

Gebrauch

Achtung! Beschleunigen Sie den Arbeitsvorgang nicht mit Gewalt. Vermeiden Sie eine Überlastung des Geräts.

Ein- und Ausschalten

- ◆ Zum Einschalten des Geräts drücken Sie den Ein-/ Ausschalter (1).
- ◆ Zum Ausschalten des Geräts lassen Sie den Ein-/ Ausschalter wieder los.

Achtung! Versuchen Sie niemals, den Ein-/Aus- schalter in der Einschaltstellung zu arretieren.

Hinweise für optimale Arbeitsergebnisse

Allgemeine Hinweise

- ◆ Um optimale Schneideergebnisse zu erzielen, sollten Sie nur trockenen Rasen beschneiden.

Trimmen

- ◆ Halten Sie das Gerät wie in Abb. D abgebildet.
- ◆ Führen Sie den Trimmer mit langsamen Schwenkbewegungen hin und her.
- ◆ Schneiden Sie längeren Rasen in Zwischenschritten bis zur gewünschten Länge. Schneiden Sie stets nur geringe Längen.
- ◆ Halten Sie das Gerät von harten Gegenständen und empfindlichen Pflanzen fern.
- ◆ Der Schneidfaden nutzt sich schneller ab und muss häufiger erneuert werden, wenn Schneidarbeiten entlang Gehwegen oder anderen abrasiven Untergründen ausgeführt werden oder dichtes Unkraut geschnitten wird.
- ◆ Bei fortschreitender Verwendung des Trimmers verkürzt sich der Faden aufgrund von Abnutzung. Wenn Sie das eingeschaltete Gerät vorsichtig auf den Boden stoßen, wird der Schneidfaden verlängert.
- ◆ Verringern Sie die Belastung, wenn das Gerät sich verlangsamt.

Einsetzen einer neuen Schneidfadenspule (Abb. E bis F)

Neue Schneidfadenspulen erhalten Sie im Black & Decker Fachhandel (Katalognr. A6226).

- ◆ Nehmen Sie bei heruntergedrückten Laschen (12) den Spulendeckel (13) vom Gehäuse (9) ab.
- ◆ Entfernen Sie die leere Spule (14) aus dem Spulengehäuse.
- ◆ Entfernen Sie Verschmutzungen und Gras von Spulendeckel und -gehäuse.
- ◆ Ziehen Sie ca. 10 cm Schneidfaden aus der neuen Spule heraus.
- ◆ Führen Sie den Schneidfaden durch das Loch (15).
- ◆ Drücken Sie die Spule auf die Antriebsachse (16), und positionieren Sie sie durch leichte Drehbewegungen ordnungsgemäß. Vergewissern Sie sich, dass der Schneidfaden nicht unter der Spule eingeklemmt ist und 10 cm des Schneidfadens aus dem Gehäuse herausragen.

- ◆ Richten Sie die Laschen (12) des Spulendeckels an den Löchern des Gehäuses (15) aus.
- ◆ Drücken Sie den Deckel auf das Gehäuse, bis dieser sicher einrastet.

Achtung! Wenn der Schneidfaden über das Fadenschneidmesser (7) hinausreicht, schneiden Sie ihn entsprechend zu, sodass der Faden lediglich an das Messer heranreicht.

Aufwickeln eines neuen Schneidfadens auf eine leere Spule (Abb. G bis I)

Es besteht die Möglichkeit, einen neuen Schneidfaden auf eine leere Spule aufzuwickeln. Neue Schneidfadenspulen erhalten Sie im Black & Decker Fachhandel (Katalognr. A6170 (25 m), A6046 (37,5 m) und A6171 (40 m)).

- ◆ Entnehmen Sie, wie oben beschrieben, die leere Spule aus dem Gerät.
- ◆ Entfernen Sie ggf. vorhandenen Restschneidfaden von der Spule.
- ◆ Führen Sie entsprechend der Abbildung 2 cm Schneidfaden durch eines der Löcher (17) in der Spule.
- ◆ Wickeln Sie den Schneidfaden in Pfeilrichtung auf die Spule (18). Achten Sie darauf, dass Sie den Faden in gleichmäßigen Schichten aufwickeln. Vermeiden Sie, den Faden zu überkreuzen.
- ◆ Lassen Sie 10 cm des Fadenendes aus der Spule herausragen. Fixieren Sie den Faden mithilfe eines Fingers.
- ◆ Fahren Sie wie oben beschrieben fort, um die Spule in das Gerät einzusetzen.

Achtung! Verwenden Sie ausschließlich geeignete Black & Decker Schneidfäden.

Austauschen des Netzsteckers (nur Großbritannien und Irland)

Gehen Sie folgendermaßen vor, wenn ein neuer Netzstecker angebracht werden muss:

- ◆ Entsorgen Sie den alten Stecker auf sachgerechte Weise.
- ◆ Verbinden Sie die braune Leitung mit dem spannungsführenden Anschluss des Steckers.
- ◆ Verbinden Sie die blaue Leitung mit dem neutralen Anschluss.

Achtung! Der Erdleiter wird nicht angeschlossen. Befolgen Sie die Anleitungen, die dem Stecker beiliegen. Empfohlene Sicherung: 5 A.

Problembeseitigung

Beachten Sie folgende Hinweise, wenn das Gerät nicht richtig zu funktionieren scheint. Sollte sich das Problem nicht beheben lassen, wenden Sie sich an eine Black & Decker Vertragswerkstatt in Ihrer Nähe.

Achtung! Ziehen Sie den Netzstecker, bevor Sie fortfahren.

Das Gerät läuft langsam

- ◆ Vergewissern Sie sich, dass sich das Spulengehäuse frei drehen kann. Reinigen Sie dieses ggf. sorgfältig.
- ◆ Stellen Sie sicher, dass der Schneidfaden nicht weiter als 11 cm aus dem Spulengehäuse herausragt. Schneiden Sie ggf. den Schneidfaden so zu, dass dieser lediglich bis an das Fadenschneidmesser reicht.

Wenn die stoßgeführte Schneidkopfvorrichtung nicht funktioniert

- ◆ Nehmen Sie bei heruntergedrückten Laschen den Spulendeckel vom Gehäuse ab.
- ◆ Ziehen Sie den Schneidfaden heraus, bis dieser 11 cm aus dem Gehäuse herausragt. Bringen Sie eine neue Spule mit Schneidfaden wie oben angegeben an, wenn der Schneidfaden auf der Spule nicht mehr ausreicht.
- ◆ Richten Sie die Laschen der Spule an den Löchern des Gehäuses aus.
- ◆ Drücken Sie den Deckel auf das Gehäuse, bis dieser sicher einrastet.
- ◆ Schneiden Sie den Schneidfaden ggf. so zu, dass dieser lediglich bis an das Fadenschneidmesser heranreicht.

Versuchen Sie folgende Vorgehensweisen, wenn die stoßgeführte Schneidkopfvorrichtung weiterhin nicht funktioniert oder die Spule klemmt:

- ◆ Reinigen Sie sorgfältig Spulendeckel und Gehäuse.
- ◆ Nehmen Sie die Spule ab, und stellen Sie sicher, dass die Feder richtig angebracht ist.
- ◆ Entnehmen Sie die Spule, und wickeln Sie den Schneidfaden ab und anschließend sorgfältig, wie oben beschrieben, wieder auf. Ersetzen Sie die Spule gemäß dieser Anleitung.

Wartung

Ihr Black & Decker Gerät (mit und ohne Netzkabel) wurde im Hinblick auf eine lange Lebensdauer und einen möglichst geringen Wartungsaufwand entwickelt. Ein dauerhafter, einwandfreier Betrieb setzt eine regelmäßige Pflege und Reinigung voraus.

Achtung! Vor dem Ausführen jeglicher Wartungsarbeiten an Geräten mit und ohne Netzkabel:

- ◆ Schalten Sie das Gerät aus, und ziehen Sie den Netzstecker.
- ◆ Wenn das Gerät über einen separaten Batteriepack oder Akku verfügt, schalten Sie das Gerät ab, und entnehmen Sie die Batterien aus dem Gerät.

- ◆ Wenn der Akku integriert ist, entladen Sie diesen vor dem Abschalten vollständig.
- ◆ Ziehen Sie das Ladegerät aus der Netzsteckdose, bevor Sie es reinigen. Das Ladegerät benötigt keine Wartung, es sollte jedoch regelmäßig gereinigt werden.
- ◆ Reinigen Sie regelmäßig die Lüftungsschlitze des Geräts und des Ladegeräts mit einer weichen Bürste oder einem trockenen Tuch.
- ◆ Reinigen Sie das Motorgehäuse regelmäßig mit einem feuchten Tuch. Verwenden Sie keine scheuernden Reinigungsmittel oder Reinigungsmittel auf Lösungsmittelbasis.

Umweltschutz



Getrennte Entsorgung. Dieses Produkt darf keinesfalls mit dem Hausmüll entsorgt werden.

Sollten Sie Ihr Black & Decker Produkt eines Tages ersetzen oder nicht mehr benötigen, entsorgen Sie es nicht mit dem Hausmüll. Führen Sie das Produkt einer getrennten Sammlung zu.



Durch die getrennte Sammlung von ausgedienten Produkten und Verpackungsmaterialien können Rohstoffe recycelt und wiederverwendet werden. Die Wiederverwendung aufbereiteter Materialien trägt zur Vermeidung der Umweltverschmutzung bei und senkt den Rohstoffbedarf.

Die Verordnung zur Abfallentsorgung Ihrer Gemeinde sieht möglicherweise vor, dass Elektrogeräte getrennt vom Hausmüll gesammelt, an der örtlichen Abfallentsorgungseinrichtung abgegeben oder beim Kauf eines neuen Produkts vom Fachhandel zur Entsorgung angenommen werden müssen.

Black & Decker nimmt Ihre ausgedienten Black & Decker Geräte gern zurück und sorgt für eine umweltfreundliche Entsorgung bzw. Wiederverwertung. Um diese Dienstleistung in Anspruch zu nehmen, geben Sie das Gerät bitte bei einer autorisierten Reparaturwerkstatt ab, die für uns die Einsammlung übernimmt.

Bitte fragen Sie Ihre zuständige Black & Decker Niederlassung (Adresse in dieser Anleitung) nach einer Vertragswerkstatt in Ihrer Nähe. Eine Liste der Vertragswerkstätten und aller Kundendienststellen von Black & Decker sowie der zuständigen Ansprechpartner finden Sie auch im Internet unter: www.2helpU.com

Technische Daten

| | | GL250 | GL310 | GL360 |
|-------------------|-------------------|-------|-------|-------|
| | | Typ 1 | Typ 1 | Typ 1 |
| Eingangsspannung | V_{AC} | 230 | 230 | 230 |
| Leistungsaufnahme | W | 250 | 300 | 350 |
| Leerlaufdrehzahl | min^{-1} | 11500 | 11500 | 11500 |
| Gewicht | kg | 1,3 | 1,6 | 1,6 |

Gewichteter Hand-/Arm-Vibrationswert nach EN 786: = 7,5 m/s^2 , Unsicherheitsfaktor (K) = 1,5 m/s^2 .

L_{PA} (Schallleistung) 80 dB(A), Unsicherheitsfaktor (K) = 1,5 dB(A)

EG-Konformitätserklärung

MASCHINENRICHTLINIE
AUSSENLAUTSTÄRKERICHTLINIE



GL250/GL310/GL360

Black & Decker erklärt, dass diese unter „Technische Daten“ beschriebenen Geräte übereinstimmen mit: 2006/42/EG, EN 60335-1, EN 60335-2-91

2000/14/EG, Rasentrimmer, $L \leq 50$ cm, Anhang VIII

KEMA Quality B.V., Utrechtseweg 310, 6802 ED Arnhem, Niederlande
Gemeldet unter ID Nr.: 0344

Schallpegel gemäß 2000/14/EG (Artikel 12, Anhang III, , $L \leq 50$ cm):

L_{WA} (gemessene Schallleistung) 94 dB(A)
Unsicherheitsfaktor (K) = 1,5 dB(A)

L_{WA} (garantierte Schallleistung) 96 dB(A)
Unsicherheitsfaktor (K) = 1,5 dB(A)

Diese Produkte entsprechen außerdem der Richtlinie 2004/108/EG. Weitere Informationen erhalten Sie von Black & Decker unter der folgenden Adresse. Diese befindet sich auch auf der Rückseite dieser Anleitung. Der Unterzeichnete ist verantwortlich für die Zusammenstellung der technischen Daten und gibt diese Erklärung im Namen von Black & Decker ab.

Kevin Hewitt
Vice-President
Global Engineering
Black & Decker Europe,
210 Bath Road, Slough,
Berkshire, SL1 3YD
Großbritannien
25.10.2010

Garantie

Black & Decker vertraut auf die Qualität der eigenen Geräte und bietet dem Käufer eine außergewöhnliche Garantie. Diese Garantiezusage versteht sich unbeschadet der gesetzlichen Gewährleistungsansprüche und schränkt diese keinesfalls ein. Sie gilt in sämtlichen Mitgliedstaaten der Europäischen Union und der Europäischen Freihandelszone EFTA.

Tritt innerhalb von 24 Monaten ab Kaufdatum an einem Gerät von Black & Decker ein auf Material- oder Verarbeitungsfehler zurückzuführender Mangel auf, garantiert Black & Decker den Austausch defekter Teile, die Reparatur von Geräten mit üblichem Verschleiß bzw. den Austausch eines mangelhaften Gerätes, ohne den Kunden dabei mehr als unbedingt nötig in Anspruch zu nehmen, allerdings vorbehaltlich folgender Ausnahmen:

- ◆ wenn das Gerät gewerblich, beruflich oder im Verleihgeschäft benutzt wurde;
- ◆ wenn das Gerät missbräuchlich verwendet oder mit mangelnder Sorgfalt behandelt wurde;
- ◆ wenn das Gerät durch irgendwelche Fremdeinwirkung beschädigt wurde;
- ◆ wenn ein unbefugter Reparaturversuch durch anderes Personal als das einer Vertragswerkstatt oder des Black & Decker Kundendienstes unternommen wurde.

Zur Inanspruchnahme dieser Garantie ist dem Verkäufer bzw. der Vertragswerkstatt ein Kaufnachweis vorzulegen. Die Adresse der zuständigen Niederlassung von Black & Decker steht in dieser Anleitung. Dort teilt man Ihnen gerne die nächstgelegene Vertragswerkstatt mit. Eine Liste der Vertragswerkstätten und aller Kundendienststellen von Black & Decker sowie der zuständigen Ansprechpartner finden Sie auch im Internet unter: **www.2helpU.com**

Bitte besuchen Sie unsere Website **www.blackanddecker.de**, um Ihr neues Black & Decker Produkt zu registrieren. Dort erhalten Sie auch Informationen über neue Produkte und Sonderangebote. Weitere Informationen über die Marke Black & Decker und unsere Produkte finden Sie unter **www.blackanddecker.de**.

Utilisation

Votre taille-bordures Black & Decker est conçu pour la coupe et la finition des bordures de pelouse ainsi que pour couper l'herbe dans les espaces restreints. Cet outil est destiné à une utilisation exclusivement domestique.

Consignes de sécurité

Attention! De simples précautions sont à prendre pour l'utilisation d'appareil branché à l'alimentation principale. Les conseils suivants doivent toujours être appliqués, ceci afin de réduire le risque d'incendie, les chocs électriques, les blessures et les dommages matériels.

Attention! Les consignes de sécurité doivent être respectées pendant l'utilisation. Pour votre propre sécurité et pour celle des personnes autour, lisez ces instructions avant d'utiliser l'outil. Veuillez conserver les instructions pour un usage ultérieur.

- ◆ Lisez attentivement et entièrement le manuel avant d'utiliser l'outil.
- ◆ Ce manuel décrit la manière d'utiliser cet outil. L'utilisation d'un accessoire ou d'une fixation, ou bien l'utilisation de cet appareil à d'autres fins que celles recommandées dans ce manuel d'instruction peut présenter un risque de blessures.
- ◆ Gardez ce manuel pour référence ultérieure.

Utilisation de votre appareil

Prenez toutes les précautions nécessaires pour l'utiliser.

- ◆ Portez toujours des lunettes de sécurité ou de protection.
- ◆ Ne laissez jamais les enfants ou toute autre personne ne connaissant pas ces instructions, utiliser l'appareil.
- ◆ Ne laissez pas les enfants ou les animaux s'approcher de la zone de travail ou toucher l'appareil ou le fil électrique.
- ◆ Les enfants doivent être surveillés avec attention s'ils se trouvent près de l'appareil pendant l'utilisation.
- ◆ Cet appareil n'est pas destiné à être utilisé par des personnes jeunes ou déficientes sans surveillance.
- ◆ Cet appareil ne doit pas être utilisé comme jouet.
- ◆ Utilisez cet appareil uniquement dans la journée ou avec un éclairage artificiel approprié.
- ◆ Il doit toujours être utilisé dans des endroits secs et en aucun cas être mouillé.
- ◆ Ne plongez pas l'appareil dans l'eau.
- ◆ N'ouvrez pas le boîtier. Les pièces à l'intérieur ne sont pas réparables par l'utilisateur.

- ◆ N'utilisez pas l'appareil dans un environnement présentant des risques d'explosion, ni en présence de liquides, gaz ou poussières inflammables.
- ◆ Pour limiter le risque d'endommagement des prises ou des fils électriques, ne débranchez jamais l'appareil en tirant sur le câble.

Sécurité des personnes

- ◆ Cet appareil ne doit pas être utilisé par des personnes (y compris les enfants) ayant des déficiences physiques, mentales ou sensorielles. Cette consigne s'applique aussi aux personnes manquant d'expérience et de connaissance du matériel, à moins que celles-ci n'aient reçu les instructions appropriées ou qu'elles ne soient encadrées par une personne responsable de leur sécurité pour utiliser l'appareil.
- ◆ Pour éviter que les enfants ne jouent avec cet appareil, ne les laissez jamais sans surveillance.

Risques résiduels.

L'utilisation d'un outil non mentionné dans les consignes de sécurité données peut entraîner des risques résiduels supplémentaires. Ces risques peuvent survenir si l'outil est mal utilisé, si l'utilisation est prolongée, etc.

Malgré l'application des normes de sécurité correspondantes et la présence de dispositifs de sécurité, les risques résiduels suivants ne peuvent être évités.

Ceci comprend:

- ◆ **Les blessures dues au contact avec une pièce mobile/ en rotation.**
- ◆ **Les blessures causées en changeant des pièces, lames ou accessoires.**
- ◆ **Les blessures dues à l'utilisation prolongée d'un outil. Une utilisation prolongée de l'outil nécessite des pauses régulières.**
- ◆ **Déficiences auditives.**
- ◆ **Risques pour la santé causés par l'inhalation de poussières produites pendant l'utilisation de l'outil (exemple: travail avec du bois, surtout le chêne, le hêtre et les panneaux en MDF).**

Après l'utilisation

- ◆ Quand il n'est pas utilisé, l'appareil doit être rangé dans un endroit suffisamment aéré, sec et hors de portée des enfants.
- ◆ Les enfants ne doivent pas avoir accès aux appareils rangés.
- ◆ Quand l'appareil est rangé ou transporté dans un véhicule, il doit être installé dans le coffre ou correctement calé pour éviter les mouvements dus aux changements de direction ou de vitesse.

Vérification et réparations

- ◆ Avant l'utilisation, vérifiez si l'appareil est en bon état ou si aucune pièce ne manque. Recherchez des pièces cassées et d'autres anomalies susceptibles de nuire au bon fonctionnement de l'appareil.
- ◆ N'utilisez pas l'appareil si une pièce est endommagée ou défectueuse.
- ◆ Faites réparer ou remplacer les pièces défectueuses ou endommagées par un réparateur agréé.
- ◆ Ne tentez jamais de retirer ou de remplacer des pièces autres que celles citées dans ce manuel.

Utilisation d'une rallonge

La rallonge utilisée doit être conforme aux normes et doit s'adapter exactement à la prise de cet appareil (voir les caractéristiques techniques). La rallonge doit être adaptée à une utilisation à l'extérieur et signalée comme tel. Une rallonge Black & Decker HO5VV-F de 1,5 mm² allant jusqu'à 30 m peut être utilisée sans que les performances de l'appareil ne soient limitées. Avant d'utiliser la rallonge, assurez-vous qu'elle est en bon état et récente. Remplacez la rallonge si elle est en mauvais état. Si vous utilisez un dévidoir, le câble doit être complètement déroulé.

Consignes de sécurité supplémentaires pour le taille-bordures

Attention! Les éléments de coupe continuent de tourner juste après la mise hors tension du moteur.

- ◆ Familiarisez-vous avec les commandes et la manière appropriée d'utiliser l'appareil.
- ◆ Avant l'utilisation, vérifiez l'état du fil électrique et de la rallonge (dommages, usures et vieillissement). Si un câble est endommagé pendant l'utilisation, débranchez immédiatement l'appareil. **NE TOUCHEZ SURTOUT PAS LE CÂBLE AVANT DE L'AVOIR DÉBRANCHÉ.**
- ◆ N'utilisez pas l'appareil si les câbles sont endommagés ou défectueux.
- ◆ Portez des chaussures épaisses pour protéger vos pieds.
- ◆ Portez un pantalon pour protéger vos jambes.
- ◆ Avant de commencer, retirez les bâtons, cailloux, câbles et autres corps étrangers de la zone à couper.
- ◆ N'utilisez l'appareil que verticalement avec le fil de coupe au niveau du sol. Ne démarrez jamais l'appareil dans une autre position.
- ◆ Déplacez-vous lentement pendant l'utilisation de l'appareil. N'oubliez pas que l'herbe fraîchement coupée est glissante.
- ◆ Ne travaillez pas sur des pentes trop raides. Ne travaillez jamais de haut en bas.

- ◆ Ne traversez jamais des passages recouvert de gravier quand l'appareil fonctionne.
- ◆ Ne touchez jamais le fil de coupe quand l'appareil fonctionne.
- ◆ Ne posez pas l'appareil avant l'arrêt complet du fil de coupe.
- ◆ N'utilisez que le type de fil de coupe approprié. N'utilisez jamais un fil de coupe en métal ou un fil de pêche.
- ◆ Prenez les précautions nécessaires pour ne pas toucher la lame.
- ◆ Prenez les précautions nécessaires pour que le câble secteur soit éloigné du fil de coupe. Vérifiez toujours la position du câble.
- ◆ Gardez toujours les pieds et les mains éloignés du fil de coupe particulièrement au démarrage du moteur.
- ◆ Avant d'utiliser l'appareil et après un choc, recherchez des signes d'usure ou de dommages et réparez, le cas échéant.
- ◆ Ne faites jamais fonctionner l'appareil avec des protections endommagées ou sans protection.
- ◆ Prenez les précautions nécessaires pour éviter de vous blesser avec les dispositifs de réglage du fil. Une fois le nouveau fil de coupe tiré, avant de remettre l'appareil en marche, replacez-le en position normale de fonctionnement.
- ◆ Aucun débris ne doit se trouver sur les aérations.
- ◆ N'utilisez pas le taille-bordures si les câbles sont endommagés ou défectueux.
- ◆ Éloignez les rallonges des zones de coupe.

Étiquettes sur l'appareil

Les symboles d'avertissement suivants se trouvent sur l'outil:



Lisez le manuel avant la mise en marche.



Portez toujours des lunettes de sécurité pour utiliser cet appareil.



Portez toujours des protections auditives appropriées pour utiliser cet appareil.



Débranchez toujours la prise du courant avant de vérifier un câble endommagé. N'utilisez pas votre taille-bordures si un câble est endommagé.



Attention aux projections. Éloignez toute personne des zones de découpe.



N'exposez pas l'appareil à la pluie ou à l'humidité.



Normes 2000/14/CE, puissance sonore garantie.

Sécurité électrique



Cet appareil est doublement isolé. Par conséquent, aucun câble de mise à la terre n'est nécessaire. Vérifiez si l'alimentation mentionnée sur la plaque signalétique de l'outil correspond bien à la tension présente sur le lieu.

- ◆ Si le câble d'alimentation est endommagé, il doit être remplacé par le fabricant ou par un Centre de réparation agréé Black & Decker pour éviter tout risque.
- ◆ Utilisez un dispositif de courant résiduel à grande sensibilité, 30 mA (RCD) pour améliorer la sécurité électrique.

Caractéristiques

Cet appareil comprend certains, ou tous, les éléments suivants:

1. Bouton marche/arrêt
2. Poignée
3. Fixation du câble
4. Prise
5. Poignée secondaire
6. Protection
7. Lame de taille
8. Fil de coupe
9. Boîtier du bobine
10. Bloc

Assemblage

Attention! Avant l'assemblage, assurez-vous que l'outil est éteint et débranché.

Fixation de la poignée secondaire (figure A) (GL310 et GL360 uniquement)

- ◆ Glissez la poignée secondaire (5) sur la poignée principale (2) vers le haut.
- ◆ Serrez la poignée secondaire avec les deux vis fournies.

Fixation de la protection (figure B)

- ◆ Placez la protection sur l'outil comme indiqué.
- ◆ Appuyez fermement sur la protection (6) jusqu'à l'enclenchement.
- ◆ Fixez la protection avec la vis.

Attention! N'utilisez jamais l'outil si la protection n'est pas correctement installée.

Dégagement du fil de coupe

Pendant le transport, le fil de coupe est scotché sur le boîtier de la bobine.

- ◆ Retirez le scotch fixant le fil de coupe (8) sur le boîtier de la bobine (9).

Branchement de l'outil au secteur (figure C)

- ◆ Branchez la rallonge à la prise (4).
- ◆ Entourez le câble dans la fixation du câble (3).
- ◆ Branchez la prise secteur.

Pour le branchement, vérifiez que le câble est entouré sur la fixation avant de brancher la prise au secteur.

Attention! La rallonge doit être adaptée à une utilisation à l'extérieur.

Utilisation

Attention! Laissez l'outil fonctionner à sa propre vitesse. Ne le poussez pas au-delà de sa limite.

Mise en marche et arrêt

- ◆ Pour mettre l'outil en marche, utilisez le levier déclencheur (1).
- ◆ Pour arrêter l'outil, relâchez le levier déclencheur.

Attention! N'essayez jamais de bloquer un levier déclencheur en position marche.

Conseils pour une utilisation optimale

Généralités

- ◆ Pour obtenir les meilleurs résultats, l'herbe doit être sèche.

Taille

- ◆ Tenez l'outil comme indiqué, figure D.
- ◆ Balancez légèrement le taille-bordures d'un côté à l'autre.
- ◆ Pour l'herbe haute, coupez progressivement. Faites des petites coupes.
- ◆ Éloignez l'outil des plantes délicates et des objets durs.
- ◆ Le fil de coupe s'use rapidement et doit être changé plus souvent si la coupe est le long des trottoirs ou autres surfaces abrasives ainsi que pour la coupe de racines épaisses.
- ◆ En utilisant le taille-bordures, le fil se raccourcit à l'usure. Appuyez légèrement l'appareil sur le sol pendant le fonctionnement et le fil se renouvelle.
- ◆ Si l'outil commence à ralentir, réduisez la charge.

Installation d'une nouvelle bobine de fil de coupe (figures E-F)

Vous trouverez des bobines de fil de coupe chez votre revendeur Black & Decker (cat. n° A6226).

- ◆ Appuyez sur les pattes (12) et retirez le cache-bobine (13) du boîtier (9).

- ◆ Retirez la bobine vide (14) du boîtier.
- ◆ Éliminez la poussière et l'herbe du cache-bobine et le boîtier.
- ◆ De la nouvelle bobine, déroulez environ 10 cm de fil de coupe.
- ◆ Passez le fil de coupe par l'oeillet (15).
- ◆ Poussez la bobine sur l'arbre d'entraînement (16) et tournez-la légèrement pour l'installer. Assurez-vous que le fil de coupe n'est pas coincé sous la bobine et que 10 cm dépasse du boîtier.
- ◆ Alignez les pattes (12) sur le cache-bobine avec les trous sur le boîtier (15).
- ◆ Enclenchez le cache sur le boîtier.

Attention! Si le fil de coupe dépasse de la lame (7), coupez-le pour qu'il soit au niveau de la lame.

Rembobinage d'un nouveau fil de coupe sur une bobine vide (figures G - I)

Vous pouvez rembobiner un nouveau fil de coupe sur une bobine vide. Les packs de remplacement de fil de coupe sont disponibles chez votre revendeur Black & Decker (cat. n° A6170 (25 m), A6046 (37,5 m) et A6171 (40 m)).

- ◆ Retirez la bobine vide de l'outil, comme décrit ci-dessus.
- ◆ Retirez le reste de fil de coupe de la bobine.
- ◆ Passez 2 cm de fil de coupe dans un des trous (17) de la bobine, comme indiqué.
- ◆ Enroulez le fil de coupe sur la bobine dans la direction de la flèche (18). Enroulez correctement le fil et de manière progressive. Ne croisez pas les fils.
- ◆ Laissez le fil dépasser d'environ 10 cm de la bobine et gardez un doigt sur le fil pour le maintenir.
- ◆ Suivez la procédure ci-dessus pour placer la bobine sur l'outil.

Attention! N'utilisez que le type de fil de coupe Black & Decker approprié.

Remplacement des prises secteur (RU et Irlande uniquement)

Si une nouvelle prise secteur doit être installée:

- ◆ Mettez au rebut la vieille prise.
- ◆ Branchez le fil brun dans la borne de la nouvelle prise.
- ◆ Branchez le fil bleu à la borne neutre.

Attention! Aucune connexion ne doit être faite à la borne de terre. Suivez les instructions de montage fournies avec les prises de bonne qualité. Fusibles recommandés: 5 A.

Dépannage

Si l'outil ne fonctionne pas, suivez les instructions ci-dessous. Si le problème n'est pas résolu, veuillez contacter votre réparateur local Black & Decker.

Attention! Débranchez l'outil avant de commencer.

Fonctionnement lent

- ◆ Vérifiez le mouvement de rotation du boîtier de bobine. Nettoyez-le, le cas échéant.
- ◆ Assurez-vous que le fil de coupe ne dépasse pas de plus de 11 cm du boîtier de la bobine. Si c'est le cas, coupez-le pour qu'il soit au niveau de la lame.

Défaillance du déroulement de fil par contact au sol

- ◆ Appuyez sur les pattes et retirez le cache-bobine du boîtier.
- ◆ Tirez sur le fil de coupe jusqu'à ce qu'il dépasse de 11 cm du boîtier. S'il n'y a pas assez de fil dans la bobine, installez une nouvelle bobine, en suivant le processus ci-dessus.
- ◆ Alignez les pattes sur le cache-bobine avec les trous sur le boîtier.
- ◆ Enclenchez le cache sur le boîtier.
- ◆ Si le fil de coupe dépasse de la lame, coupez-le pour qu'il soit au niveau de la lame.

Si le déroulement du fil par contact au sol ne fonctionne pas ou si la bobine est emmêlée, effectuez ce qui suit:

- ◆ Nettoyez avec précaution le cache-bobine et le boîtier.
- ◆ Retirez la bobine et vérifiez l'installation du ressort.
- ◆ Retirez la bobine et déroulez le fil de coupe, puis rembobinez-le correctement, comme décrit ci-dessus. Remplacez la bobine, comme indiqué.

Entretien

Votre appareil/outil sans fil/avec fil Black & Decker a été conçu pour fonctionner pendant longtemps avec un minimum d'entretien. Un fonctionnement continu satisfaisant dépend d'un nettoyage régulier et d'un entretien approprié de l'appareil/outil.

Attention! À ne pas oublier avant l'entretien des appareils électriques sans fil/avec fil:

- ◆ Arrêtez l'appareil/outil, puis débranchez-le.
- ◆ Ou, arrêtez l'appareil et retirez la batterie de l'appareil/outil si celui-ci est muni d'un bloc-batterie séparé.
- ◆ Ou bien déchargez complètement la batterie si elle est intégrée au système, puis arrêtez l'appareil (position Off).

- ◆ Débranchez le chargeur avant de le nettoyer. Aucun entretien particulier n'est nécessaire pour le chargeur en dehors du nettoyage régulier.
- ◆ Nettoyez régulièrement les orifices de ventilation de votre appareil/outil/chargeur à l'aide d'une brosse souple ou d'un chiffon sec.
- ◆ Nettoyez régulièrement le compartiment du moteur à l'aide d'un chiffon humide. N'utilisez pas de produit abrasif ou à base de solvant.

Protection de l'environnement



Recyclage. Cet appareil ne doit pas être jeté avec les déchets ménagers.

Si votre appareil/outil Black & Decker doit être remplacé ou si vous ne l'utilisez plus, ne le jetez pas avec les ordures ménagères. Songez à la protection de l'environnement et recyclez-le.



La collecte séparée des produits et des emballages usagés permet de recycler et de réutiliser des matériaux. La réutilisation de matériaux recyclés évite la pollution de l'environnement et réduit la demande de matières premières.

Des réglementations locales peuvent stipuler la collecte séparée des produits électriques et des produits ménagers, dans des déchetteries municipales ou par le revendeur lorsque vous achetez un nouveau produit.

Black & Decker offre une solution permettant de recycler les produits Black & Decker lorsqu'ils ont atteint la fin de leur cycle de vie. Pour pouvoir profiter de ce service, veuillez retourner votre produit à un réparateur agréé qui se chargera de le collecter pour nous.

Pour connaître l'adresse du réparateur agréé le plus proche de chez vous, contactez le bureau Black & Decker à l'adresse indiquée dans ce manuel. Vous pourrez aussi trouver une liste de réparateurs agréés de Black & Decker et de plus de détails concernant notre service après-vente sur le site Internet à l'adresse suivante: **www.2helpU.com**

Caractéristiques techniques

| | | GL250 | GL310 | GL360 |
|--------------------------|-------------------|--------|--------|--------|
| | | Type 1 | Type 1 | Type 1 |
| Tension d'entrée | V_{AC} | 230 | 230 | 230 |
| Puissance | W | 250 | 300 | 350 |
| Aucune vitesse de charge | min^{-1} | 11500 | 11500 | 11500 |
| Poids | kg | 1,3 | 1,6 | 1,6 |

Niveau de vibration main/bras selon la norme EN 786: = 7,5 m/s^2 , incertitude (K) = 1,5 m/s^2 .

L_{PA} (puissance sonore) 80 dB(A), Incertitude (K) = 1,5 dB(A)

Déclaration de conformité CE

CONSIGNES DE MACHINERIE
CONSIGNES NUISANCES SONORES
EXTÉRIEURES



GL250/GL310/GL360

Black & Decker confirme que les produits décrits dans les «Données techniques» sont conformes aux normes: 2006/42/EC, EN 60335-1, EN 60335-2-91

2000/14/EC, Taille-bordures, $L \leq 50$ cm, Annexe VIII

KEMA Quality B.V., Utrechtseweg 310, 6802 ED Arnhem, The Netherlands
Notified Body ID No.: 0344

Niveau de puissance sonore selon la norme 2000/14/CE

(Article 12, Annex III, $L \leq 50$ cm):

L_{WA} (puissance sonore mesurée) 94 dB(A)
Incertitude (K) = 1,5 dB(A)

L_{WA} (puissance sonore garantie) 96 dB(A)
Incertitude (K) = 1,5 dB(A)

Ces produits sont conformes aux normes 2004/108/CE. Pour plus de détails, veuillez contacter Black & Decker à l'adresse suivante ou reportez-vous au dos du manuel. Le soussigné est responsable des données de la fiche technique et fait cette déclaration au nom de Black & Decker.

Kevin Hewitt
Vice-Président - ingénierie internationale
Black & Decker Europe,
210 Bath Road, Slough,
Berkshire, SL1 3YD
Royaume-Uni
25.10.2010

Garantie

Black & Decker assure la qualité de ses produits et vous offre une garantie très élargie. Ce certificat de garantie est un document supplémentaire et ne peut en aucun cas se substituer à vos droits légaux. La garantie est valable sur tout le territoire des États

Membres de l'Union Européenne et de la Zone de Libre Échange Européenne.

Si un produit Black & Decker s'avère défectueux en raison de matériaux en mauvaises conditions, d'une erreur humaine, ou d'un manque de conformité dans les 24 mois suivant la date d'achat, Black & Decker garantit le remplacement des pièces défectueuses, la réparation des produits usés ou cassés ou remplace ces produits à la convenance du client, sauf dans les circonstances suivantes:

- ◆ Le produit a été utilisé dans un but commercial, professionnel, ou a été loué;
- ◆ Le produit a été mal utilisé ou utilisé avec négligence;
- ◆ Le produit a subi des dommages à cause d'objets étrangers, de substances ou à cause d'accidents;
- ◆ Des réparations ont été tentées par des techniciens ne faisant pas partie du service technique de Black & Decker.

Pour avoir recours à la garantie, il est nécessaire de fournir une preuve d'achat au vendeur ou à un réparateur agréé. Pour connaître l'adresse du réparateur agréé le plus proche de chez vous, contactez le bureau Black & Decker à l'adresse indiquée dans ce manuel. Vous pourrez aussi trouver une liste de réparateurs agréés de Black & Decker et de plus amples détails sur notre service après-vente sur le site Internet à l'adresse suivante: **www.2helpU.com**

Visitez notre site Web

www.blackanddecker.fr pour enregistrer votre nouveau produit Black & Decker et être informé des nouveaux produits et des offres spéciales. Pour plus d'informations concernant la marque Black & Decker et notre gamme de produits, consultez notre site **www.blackanddecker.fr**

Použití výrobku

Vaše strunová sekačka Black & Decker je určena pro sekání a úpravu okrajů trávníků a pro sekání trávy na špatně přístupných místech. Tento výrobek je určen pouze pro spotřebitelské použití.

Bezpečnostní pokyny

Varování! Při použití elektrického nářadí napájeného kabelem by měly být vždy dodržovány základní bezpečnostní pokyny, včetně následujících, abyste snížili riziko vzniku požáru, riziko úrazu elektrickým proudem nebo jiného poranění a materiálních škod.

Varování! Při použití tohoto stroje musí být dodržovány základní bezpečnostní pokyny. Z důvodu vaší vlastní bezpečnosti i bezpečnosti ostatních osob si prosím před použitím stroje přečtěte tyto pokyny. Uchovejte prosím tyto pokyny pro pozdější možné použití.

- ◆ Před použitím výrobku si pečlivě přečtěte celý tento návod.
- ◆ Určené použití tohoto výrobku je popsáno v tomto návodu. Použití jiného příslušenství nebo přídatného zařízení a provádění jiných pracovních operací, než je doporučeno tímto návodem, může způsobit poranění obsluhy.
- ◆ Uchovejte tento návod pro případné další použití.

Použití výrobku

Při použití tohoto výrobku buďte vždy opatrní.

- ◆ Vždy používejte ochranné brýle nebo jinou vhodnou ochranu zraku.
- ◆ Nikdy nedovolte, aby s tímto výrobkem pracovaly děti nebo osoby, které nejsou seznámeny s těmito pokyny.
- ◆ Nedovolte dětem, ostatním osobám nebo zvířatům, aby se dostaly do blízkosti pracovního prostoru nebo se dotýkaly zařízení a přívodního napájecího kabelu.
- ◆ Je-li zařízení používáno v blízkosti dětí, je nezbytné zajištění přísného dohledu.
- ◆ Toto nářadí není určeno pro použití nezletilými nebo nezkušenými osobami bez dozoru.
- ◆ Tento výrobek nesmí být používán jako hračka.
- ◆ Používejte tento výrobek pouze za denního světla nebo při kvalitním umělém osvětlení.
- ◆ Používejte tento výrobek pouze v suchém prostředí. Zabraňte tomu, aby se výrobek dostal do vlhkého prostředí.
- ◆ Neponořujte tento výrobek do vody.
- ◆ Nepokoušejte se tento výrobek demontovat. Uvnitř se nenachází žádné opravitelné části.
- ◆ Nepoužívejte tento výrobek v prostředích s výbušnou atmosférou, ve kterých se vyskytují hořlavé kapaliny, plyny nebo prachové směsi.

- ◆ Chcete-li snížit riziko poškození zástrčky a napájecího kabelu, nikdy netahejte za kabel, chcete-li uvolnit zástrčku ze zásuvky.

Bezpečnost ostatních osob

- ◆ Tento výrobek není určen k použití osobami (včetně dětí) se sníženými fyzickými, smyslovými nebo duševními schopnostmi, nebo s nedostatkem zkušeností a znalostí, pokud těmto osobám nebyl stanoven dohled, nebo pokud jim nebyly poskytnuty instrukce týkající se použití výrobku osobou odpovědnou za jejich bezpečnost.
- ◆ Děti musí být pod dozorem, aby si s nářadím nehrály.

Zbytková rizika

Je-li nářadí používáno jiným způsobem, než je uvedeno v příložených bezpečnostních varováních, mohou se objevit dodatečná zbytková rizika. Tato rizika mohou vzniknout v důsledku nesprávného použití, dlouhodobého použití atd.

Přestože jsou dodržovány příslušné bezpečnostní předpisy a jsou používána bezpečnostní zařízení, určitá zbytková rizika nemohou být vyloučena. Tato rizika jsou následující:

- ◆ **Zranění způsobená kontaktem s jakoukoli rotující nebo pohybující se částí.**
- ◆ **Zranění způsobená při výměně dílů, pracovního nástroje nebo příslušenství.**
- ◆ **Zranění způsobená dlouhodobým použitím nářadí. Používáte-li jakékoli nářadí delší dobu, zajistěte, aby byly prováděny pravidelné přestávky.**
- ◆ **Poškození sluchu.**
- ◆ **Zdravotní rizika způsobená vdechováním prachu vytvářeného při použití nářadí (příklad: - práce se dřevem, zejména s dubovým, bukovým a MDF).**

Po použití

- ◆ **Není-li výrobek používán, měl by být uložen na suchém a dobře odvětrávaném místě, mimo dosah dětí.**
- ◆ Uložené nářadí musí být vhodně zabezpečeno před dětmi.
- ◆ Je-li nářadí uloženo nebo přepravováno ve vozidle, mělo by být umístěno v kufru nebo zajištěno tak, aby bylo zabráněno jeho pohybu při náhlých změnách rychlosti nebo směru jízdy.

Kontroly a opravy

- ◆ Před použitím vždy zkontrolujte, zda není nářadí poškozeno nebo zda nemá vadné části. Ujistěte se, zda nejsou jeho části rozbity a zkontrolujte

všechny ostatní funkce, které by mohly ovlivnit jeho provoz.

- ◆ Nepoužívejte toto nářadí, je-li jakákoli jeho část poškozena.
- ◆ Poškozené a zničené díly nechejte opravit či vyměnit v autorizovaném servisním středisku.
- ◆ Nikdy se nepokoušejte demontovat nebo vyměnit jiné díly než ty, které jsou uvedeny v tomto návodu.

Použití prodlužovacího kabelu

Vždy používejte schválený typ prodlužovacího kabelu, který je vhodný pro příkon tohoto nářadí (viz technické údaje). Prodlužovací kabel musí být vhodný pro venkovní použití a musí být také tak označen. Může být použit prodlužovací kabel HO5VV-F s délkou až 30 m a s průřezem vodiče 1,5 mm², aniž by docházelo k výkonovým ztrátám při provozu nářadí. Před použitím prodlužovací kabel řádně prohlédněte, zda není poškozen nebo opotřeben. Je-li prodlužovací kabel poškozen, vyměňte jej. V případě použití navinovacího kabelu odviňte vždy celou délku kabelu.

Doplňující bezpečnostní pokyny pro strunové sekačky

Varování! Po vypnutí motoru se bude struna sekačky ještě chvíli otáčet.

- ◆ Seznamte se s ovládacími prvky a se správným použitím nářadí.
- ◆ Před použitím řádně prohlédněte napájecí kabel, zda není poškozen nebo opotřeben. Pokud dojde během práce k poškození napájecího kabelu, okamžitě nářadí vypněte a odpojte od elektrické zásuvky. **NEDOTÝKEJTE SE NAPÁJECÍHO KABELU DŘÍVE, NEŽ BUDE ODPOJEN.**
- ◆ Pokud je napájecí kabel poškozen nebo opotřeben, nářadí nepoužívejte.
- ◆ Nazujte si pevné boty nebo holínky, aby byla vaše chodidla chráněna.
- ◆ Noste dlouhé kalhoty, abyste si chránili nohy.
- ◆ Před použitím nářadí zkontrolujte, zda je prostor, ve kterém budete sekat, zbaven větviček, kamenů, drátů a jiných překážek.
- ◆ Používejte nářadí pouze ve svislé poloze se sekačí strunou těsně nad zemí. Nikdy nespouštějte nářadí v jiné poloze.
- ◆ Při práci s tímto nářadím se pohybujte pomalu. Uvědomte si, že čerstvě posečená tráva je kluzká a vlhká.
- ◆ Nepracujte na příkrých svazích. Na svazích pracujte po vrstevnicích, nikdy ne směrem nahoru a dolů.

- ◆ Je-li nářadí v chodu, nikdy nepřecházejte přes štěrkové chodníky nebo cesty.
- ◆ Nikdy se nedotýkejte struny, je-li nářadí v chodu.
- ◆ Nepokládejte nářadí na zem, dokud se struna zcela nezastaví.
- ◆ Používejte pouze odpovídající typ struny. Nikdy nepoužívejte kovovou strunu nebo rybářský vlasec.
- ◆ Dávejte pozor, abyste se nedotkli struny sekačky.
- ◆ Dávejte pozor, aby se napájecí kabel nedostal do blízkosti struny. Stále sledujte polohu napájecího kabelu.
- ◆ Udržujte ruce a nohy trvale mimo dosah struny, a to zejména při zapínání motoru.
- ◆ Před použitím nářadí a po každém nárazu nářadí zkontrolujte, zda nedošlo k jeho poškození a zda není nutné provedení opravy.
- ◆ Nikdy nepoužívejte nářadí s poškozenými ochrannými kryty nebo bez řádně nasazených ochranných krytů.
- ◆ Dávejte pozor, abyste se nezranili o zařízení, které upravuje délku struny. Po vysunutí nové struny nářadí před spuštěním vždy nastavte do jeho obvyklé pracovní polohy.
- ◆ Zajistěte, aby byly větrací drážky na nářadí stále čisté a průchozí.
- ◆ Pokud je napájecí kabel poškozen nebo opotřeben, strunovou sekačku (vyžínač trávy) nepoužívejte.
- ◆ Dbejte na to, aby se prodlužovací napájecí kabely nedostaly do blízkosti struny.

Štítky na nářadí

Na nářadí lze nalézt následující varovné symboly:



Před zahájením obsluhy si řádně prostudujte tento návod.



Při práci s tímto nářadím používejte ochranné brýle.



Při práci s tímto nářadím používejte vhodnou ochranu sluchu.



Před kontrolou poškozeného napájecího kabelu vždy odpojte zástrčku kabelu od síťové zásuvky. Je-li kabel poškozen, zajistěte, aby nebyla sekačka používána.



Dávejte pozor na odlétávající úlomky. Udržujte okolo stojící osoby v bezpečné vzdálenosti od prostoru sečení.



Nevystavujte nářadí dešti nebo prostředí s vysokou vlhkostí.



Směrnice 2000/14/EC - zaručená hodnota akustického výkonu.

Elektrická bezpečnost



Toto nářadí je opatřeno dvojitou izolací. Proto není nutné použití uzemňovacího vodiče. Vždy zkontrolujte, zda napájecí napětí odpovídá napětí na výkonovém štítku.

- ◆ Je-li poškozen napájecí kabel, musí být vyměněn výrobcem nebo v autorizovaném servisu Black & Decker, aby bylo zabráněno možným rizikům.
- ◆ Elektrická bezpečnost může být dále zvýšena použitím proudového chrániče (RCD) s vysokou citlivostí 30 mA.

Popis

Toto nářadí se skládá z několika nebo všech následujících částí.

1. Hlavní spínač (Zapnuto / Vypnuto)
2. Rukojeť
3. Příchytka kabelu
4. Napájecí přívod
5. Druhá rukojeť
6. Ochranný kryt
7. Odřezávací nůž struny
8. Struna
9. Pouzdro cívky
10. Hlava

Sestavení

Varování! Před montáží se ujistěte, zda je nářadí vypnuto a zda je napájecí kabel odpojen od zásuvky.

Přípevnění druhé rukojeti (obr. A) (pouze GL310 a GL360)

- ◆ Nasuňte druhou rukojeť (5) na hlavní rukojeť (2) směrem nahoru.
- ◆ Přípevněte druhou rukojeť na svém místě pomocí dvou dodaných šroubů.

Přípevnění ochranného krytu (obr. B)

- ◆ Nasadte na nářadí kryt jako na uvedeném obrázku.
- ◆ Ochranný kryt (6) řádně přitlačte, aby došlo k jeho řádnému usazení.
- ◆ Zajistěte ochranný kryt šroubem.

Varování! Bez řádně uchyceného ochranného krytu se zařízením nikdy nepracujte.

Uvolnění struny

Během přepravy je struna k cívce přichycena páskou.

- ◆ Odstraňte pásku, kterou je struna (8) přichycena ke krytu cívky (9).

Připojení nářadí k elektrické síti (obr. C)

- ◆ Připojte koncovku vhodného napájecího kabelu k napájecímu přívodu (4).
 - ◆ Zavěste napájecí kabel na příchytce kabelu (3).
 - ◆ Zasuňte zástrčku kabelu do síťové zásuvky.
- Pro vedení kabelu: Před připojením zástrčky k elektrické síti se ujistěte, zda je kabel uchycen v příchytce kabelu.

Varování! Prodlužovací kabel musí být vhodný pro venkovní použití.

Použití

Varování! Nechejte nářadí pracovat jeho vlastním tempem. Zamezte přetěžování nářadí.

Zapnutí a vypnutí

- ◆ Chcete-li nářadí spustit, stiskněte spouštěcí spínač (1).
 - ◆ Nářadí vypnete uvolněním spouštěcího spínače.
- Varování!** Nikdy se nepokoušejte zajistit spouštěcí spínač v poloze zapnuto.

Rady pro optimální použití

Všeobecné

- ◆ Chcete-li dosáhnout optimálních výsledků, sekejte pouze suchou trávou.

Sečení

- ◆ Držte nářadí jako na uvedeném obr. D.
- ◆ Lehce natáčejte sekačku ze strany na stranu.
- ◆ Sečete-li vysokou trávou, pracujte po částech od shora dolů. Sekejte trávou po malých kouscích.
- ◆ Udržujte nářadí v bezpečné vzdálenosti od tvrdých předmětů a choulostivých rostlin.
- ◆ Je-li sečení prováděno podél chodníků a jiných hrubých povrchů nebo je-li sečen hrubší porost, struna se bude opotřebovávat rychleji a bude vyžadovat častější posuv.
- ◆ Během použití strunové sekačky se bude struna vlivem opotřebování zkracovat. Během sečení lehce klepněte sekačkou o zem a struna se vysune.
- ◆ Pokud nářadí zpomalí chod, snižte jeho zatížení.

Montáž nové cívky se strunou (obr. E - F)

Náhradní cívky se strunou získáte u autorizovaného prodejce Black & Decker (kat. č. A6226).

- ◆ Držte stisknuté výstupky (12) a sejměte kryt (13) z pouzdra cívky (9).
- ◆ Vyjměte prázdnou cívku (14) z pouzdra.

- ◆ Z krytu a pouzdra cívky odstraňte zachycené nečistoty a zbytky trávy.
- ◆ Připravte si novou cívku a odviňte z ní asi 10 cm struny.
- ◆ Protáhněte strunu okem (15).
- ◆ Zatlačte cívku na hnací hřídel (16) a pootočte jí tak, aby byla řádně usazena. Ujistěte se, zda není struna pod cívku sevřena a zda vyčnívá z pouzdra v délce zhruba 10 cm.
- ◆ Srovnejte výstupky (12) na krytu cívky s otvory na pouzdra (15).
- ◆ Zatlačte kryt na pouzdro cívky tak, aby došlo k jeho řádnému usazení.

Varování! Přečnívá-li struna přes odřezávací nůž (7), zkraťte ji tak, aby po tento nůž pouze dosahovala.

Navinutí nové struny na prázdnou cívku (obr. G - I)

Na prázdnou cívku můžete navinout novou strunu. Náhradní balení struny získáte u autorizovaného prodejce Black & Decker (kat. č. A6170 (25 m), A6046 (37,5 m) a A6171 (40 m)).

- ◆ Podle výše uvedeného postupu vyjměte z nářadí prázdnou cívku.
- ◆ Odstraňte z cívky zbytek struny.
- ◆ Jedním z otvorů cívky (17) protáhněte 2 cm struny, jako na uvedeném obrázku.
- ◆ Naviňte strunu na cívku ve směru označeném šipkou (18). Dejte pozor, aby byla struna navinuta na cívku úhledně a ve vrstvách. Nepřekřížujte ji.
- ◆ Strunu nechejte z cívky vyčnívat přibližně 10 cm a prstem ji přidrže na místě.
- ◆ Uložení cívky do nářadí proveďte podle výše uvedeného postupu.

Varování! Používejte pouze vhodnou strunu Black & Decker.

Výměna síťové zástrčky (pouze pro Velkou Británii a Irsko)

Budete-li instalovat novou zástrčku napájecího kabelu:

- ◆ Zajistěte ekologickou likvidaci staré zástrčky.
- ◆ Připojte hnědý vodič ke svorce pod napětím na nové zástrčce.
- ◆ Modrý vodič připojte k nulové svorce.

Varování! Na zemnicí svorku nebude připojen žádný vodič. Dodržujte montážní pokyny dodávané s kvalitními zástrčkami. Doporučená pojistka: 5 A.

Řešení problémů

Zdá-li se vám, že nářadí nepracuje správně, postupujte podle níže uvedených pokynů. Pokud nebude závada odstraněna, spojte se s autorizovaným servisem Black & Decker.

Varování! Před pokračováním odpojte nářadí od elektrické sítě.

Nářadí pracuje v nízkých otáčkách

- ◆ Zkontrolujte, zda se pouzdro cívky může volně otáčet. Je-li to nutné, pouzdro opatrně vyčistěte.
- ◆ Zkontrolujte, zda struna nevyčnívá z pouzdra cívky více než 11 cm. Pokud ano, uřízněte ji tak, aby dosahovala jen k ostří odřezávacího nože struny.

Nelze-li provést posuv struny nárazem

- ◆ Držte stisknuté výstupky a sejměte kryt cívky z pouzdra.
- ◆ Povytáhněte strunu tak, aby vyčnívala z pouzdra cívky 11 cm. Pokud již není dostatečující délka struny k dispozici, vložte podle výše uvedených pokynů do nářadí novou cívku se strunou.
- ◆ Srovnejte výstupky na krytu cívky s výřezy na pouzdře.
- ◆ Zatlačte kryt na pouzdro cívky tak, aby došlo k jeho řádnému usazení.
- ◆ Přečnívá-li struna přes odřezávací nůž, zkraťte ji tak, aby po tento nůž pouze dosahovala.

Pokud posuv struny nárazem stále nepracuje nebo je-li cívka zablokována, vyzkoušejte následující:

- ◆ Pečlivě očistěte kryt a pouzdro cívky.
- ◆ Vyjměte cívku a zkontrolujte, zda je na svém místě pružina.
- ◆ Vyjměte cívku a odviňte celou délku struny. Potom proveďte podle výše uvedeného postupu její správné navinutí na cívku. Proveďte uložení cívky do pouzdra podle uvedeného postupu.

Údržba

Vaše nářadí Black & Decker bylo zkonstruováno tak, aby pracovalo po dlouhou dobu s minimálními nároky na údržbu. Řádná péče o výrobek/nářadí a jeho pravidelné čištění vám zajistí jeho bezproblémový chod.

Varování! Před prováděním jakékoli údržby akumulátorového elektrického nářadí nebo nářadí opatřeného napájecím kabelem:

- ◆ Vypněte zařízení/nářadí a odpojte napájecí kabel od sítě.
- ◆ Nebo zařízení/nářadí vypněte a vyjměte z něj baterii, je-li zařízení/nářadí napájeno snímatelnou baterií.
- ◆ Nebo nelze-li baterii vyjmout, nechejte nářadí v chodu, dokud nedojde k úplnému vybití baterie.
- ◆ Před čištěním nabíječky odpojte nabíječku od sítě. Vaše nabíječka nevyžaduje žádnou údržbu mimo pravidelné čištění.

- ♦ Větrací otvory náradí a nabíječky pravidelně čistěte měkkým kartáčem nebo suchým hadříkem.
- ♦ Pomocí vlhkého hadříku pravidelně čistěte kryt motoru. Nepoužívejte žádné abrazivní čisticí prostředky nebo rozpouštědla.

Ochrana životního prostředí



Tříděte odpad. Tento výrobek nesmí být vyhozen do běžného domácího odpadu.

Pokud nebudete výrobek Black & Decker dále používat nebo přejete-li si jej nahradit novým, nelikvidujte jej spolu s běžným komunálním odpadem. Zlikvidujte tento výrobek v tříděném odpadu.



Tříděný odpad umožňuje recyklaci a opětovné využití použitých výrobků a obalových materiálů. Opětovné využití recyklovaných materiálů pomáhá chránit životní prostředí před znečištěním a snižuje spotřebu surovin.

Při zakoupení nových výrobků vám prodejny, místní sběrný odpadů nebo recyklační stanice poskytnou informace o správné likvidaci elektro odpadů z domácnosti.

Společnost Black & Decker poskytuje službu sběru a recyklace výrobků Black & Decker po skončení jejich provozní životnosti. Chcete-li získat výhody této služby, odevzdejte prosím váš výrobek kterémukoli autorizovanému zástupci servisu, který náradí odebere a zajistí jeho recyklaci.

Místo nejbližšího autorizovaného servisu Black & Decker naleznete na příslušné adrese uvedené v tomto návodu. Seznam autorizovaných servisů Black & Decker a podrobnosti o poprodejním servisu naleznete také na internetové adrese: www.2helpU.com

Technické údaje

| | | GL250 | GL310 | GL360 |
|------------------|-------------------|-------|-------|-------|
| | | Typ 1 | Typ 1 | Typ 1 |
| Napájecí napětí | V_{AC} | 230 | 230 | 230 |
| Příkon | W | 250 | 300 | 350 |
| Otáčky naprázdno | min^{-1} | 11500 | 11500 | 11500 |
| Hmotnost | kg | 1,3 | 1,6 | 1,6 |

Vibrace působící na ruce a paže obsluhy měřené dle normy EN 786: = 7,5 m/s^2 , odchylka (K) = 1,5 m/s^2 .

L_{PA} (akustický výkon) 80 dB(A), odchylka (K) = 1,5 dB(A)

ES Prohlášení o shodě

SMĚRNICE PRO STROJNÍ ZAŘÍZENÍ
NAŘÍZENÍ TÝKAJÍCÍ SE VNĚJŠÍHO HLUKU



GL250/GL310/GL360

Společnost Black & Decker prohlašuje, že tyto výrobky popisované v technických údajích splňují požadavky následujících norem: 2006/42/EC, EN 60335-1, EN 60335-2-91.

2000/14/EC, Sekačka trávníků, $L \leq 50$ cm, příloha VIII

KEMA Quality B.V., Utrechtseweg 310, 6802 ED Arnhem, Holandsko

Úředně stanovený orgán id. č.: 0344

Hladina akustického výkonu podle normy 2000/14/EC (článek 12, příloha III, $L \leq 50$ cm):

L_{WA} (měřený akustický výkon) 94 dB(A)
odchylka (K) = 1,5 dB(A)

L_{WA} (zaručený akustický výkon) 96 dB(A)
odchylka (K) = 1,5 dB(A)

Tyto výrobky splňují také požadavky směrnice 2004/108/EC. Chcete-li získat další informace, kontaktujte prosím společnost Black & Decker na následující adrese nebo na adresách, které jsou uvedeny na konci tohoto návodu. Níže podepsaná osoba je odpovědná za sestavení technických údajů a provádí toto prohlášení v zastoupení společnosti Black & Decker.

Kevin Hewitt
Viceprezident pro spotřebitelskou techniku
Black & Decker Europe,
210 Bath Road, Slough,
Berkshire, SL1 3YD
United Kingdom
25.10.2010

Záruka

Společnost Black & Decker je přesvědčena o kvalitě svých výrobků a nabízí mimořádnou záruku. Tato záruka je nabízena ve prospěch zákazníka a nijak neovlivní jeho zákonná záruční práva. Tato záruka platí ve všech členských státech EU a evropské zóny volného obchodu EFTA.

Objeví-li se na výrobku Black & Decker, v průběhu 24 měsíců od zakoupení, jakékoli materiálové či výrobní vady, společnost Black & Decker garantuje ve snaze o minimalizování vašich starostí bezplatnou

výměnu vadných dílů, opravu nebo výměnu celého výrobku za níže uvedených podmínek:

- ♦ Výrobek nebyl používán pro obchodní nebo profesionální účely a nedocházelo-li k jeho pronájmu.
- ♦ Výrobek nebyl vystaven nesprávnému použití a nebyla zanedbána jeho předepsaná údržba.
- ♦ Výrobek nebyl poškozen cizím zaviněním.
- ♦ Opravy nebyly prováděny jinými osobami, než autorizovanými opraváři nebo mechaniky autorizovaného servisu Black & Decker.

Požadujete-li záruční opravu, budete muset prodejci nebo zástupci autorizovaného servisu předložit doklad o zakoupení výrobku. Místo nejbližšího autorizovaného servisu Black & Decker naleznete na příslušné adrese uvedené v tomto návodu. Seznam autorizovaných servisů Black & Decker a podrobnosti o poprodejním servisu naleznete také na internetové adrese: **www.2helpU.com**

Navštivte prosím naši internetovou stránku **www.blackanddecker.co.uk**, abyste mohli zaregistrovat váš nový výrobek Black & Decker a kde budete informováni o našich nových výrobcích a speciálních nabídkách. Další informace o značce Black & Decker a o celé řadě našich dalších výrobků jsou k dispozici na adrese **www.blackanddecker.co.uk**

Rendeltetésszerű használat

Az Ön Black & Decker márkájú fűszegélyvágóját gypepszélek vágására és igazítására, illetve kis területen való kaszálásra terveztük. A fűszegélyvágó iparszerű felhasználásra nem alkalmas.

Biztonsági előírások

Figyelmeztetés! Hálózati áramforrásról működtetett készülékek használatakor be kell tartani az alapvető biztonsági előírásokat, többek között a következőket a tűz, az áramütés, a személyi sérülés és az anyagi károkozás veszélyének elkerülése érdekében.

Figyelmeztetés! A gép használata során be kell tartani a biztonsági előírásokat. Saját maga és a nézelődők biztonsága érdekében olvassa el ezeket az utasításokat a gép használata előtt. Őrizze meg ezt az útmutatót, mert később szüksége lehet rá.

- ◆ A készülék használata előtt figyelmesen olvassa át a kézikönyvet.
- ◆ Ez az útmutató ismerteti a készülék rendeltetését. A kézikönyvben nem ajánlott tartozék vagy felszerelés használata, illetve itt fel nem sorolt műveletek végzése személyi sérülés és/vagy anyagi kár kockázatával jár.
- ◆ Őrizze meg a kézikönyvet, hogy azt később is fellapozhassa.

A készülék használata

Mindig körültekintően használja a készüléket.

- ◆ Mindig viseljen védőszemüveget.
- ◆ Ne engedje, hogy gyerekek vagy a használati utasítást nem ismerő személyek használják a készüléket.
- ◆ Ne engedje, hogy gyerekek vagy állatok a munkaterület közelébe menjenek, illetve hozzáférjenek a készülékhez és a tápkábelhez.
- ◆ Gondos felügyelet szükséges, ha a készüléket olyan helyen használják, ahol gyerekek vannak a közelben.
- ◆ A készüléket fiatalok vagy fogyatékkal élők csak felügyelettel használhatják.
- ◆ A készülék nem játékszer.
- ◆ A készüléket csak nappal vagy jó mesterséges világítás mellett használja.
- ◆ Csak száraz helyen használja. Ne érje nedveség a készüléket.
- ◆ Ne merítse vízbe a készüléket.
- ◆ Ne nyissa föl a készülék burkolatát. A készülék belsejében nincsenek a felhasználó által szervizelhető alkatrészek.
- ◆ Soha ne használja a készüléket robbanásveszélyes környezetben, például gyúlékony folyadékok, gázok vagy porok jelenlétében.

- ◆ A készüléket soha ne húzza ki a kábelnél fogva a konnektorból, hogy elkerülje a dugasz és a kábel sérülését.

Mások biztonsága

- ◆ A készüléket korlátozott fizikai, érzékszervi, mentális képességekkel rendelkező vagy gyakorlatlan személyek (beleértve a gyermekeket is) nem használhatják; kivétel, ha számukra a szerszám használatához a biztonságukért felelős személy felügyeletet és tájékoztatást biztosít számukra.
- ◆ A gyerekeket felügyelni kell, nehogy játszanak a termékkel.

Maradványkockázatok

A biztonsági figyelmeztetésekben ismertetett kockázatok mellett más kockázatok is jellemezhetik a szerszám használatát. Ezek a kockázatok a szerszám rendeltetéstől eltérő, illetve huzamos használatából stb. adódhatnak.

A vonatkozó biztonsági előírások alkalmazása és a védőeszközök használata ellenére bizonyos kockázatokat (ún. maradványkockázatokat) nem lehet elkerülni. Ezek a következők:

- ◆ **A forgó/mozgó alkatrészek érintése által okozott sérülés.**
- ◆ **Az alkatrészek, vágólapok, tartozékok cseréje által okozott sérülés.**
- ◆ **A szerszám huzamos használata által okozott egészségkárosodás. Ha valamely szerszámot huzamosabb ideig használ, akkor tartson rendszeresen szüneteket a munkában.**
- ◆ **Halláskárosodás.**
- ◆ **A fűrészpör belégzése miatti egészségkárosodás, különös tekintettel a tölgy, bükk és rétegeltlemez anyagokra.**

Használat után

- ◆ A használaton kívüli készüléket száraz, jól szellőző helyen, gyerekektől elzárva tartsa.
- ◆ Ügyeljen, a gyerekek ne férhessenek hozzá a tárolt eszközökhöz.
- ◆ Ha a készüléket járműben tárolja, illetve szállítja vagy a csomagtartóban tartja, akkor kösse le, hogy ne mozdulhasson el a hirtelen gyorsításkor vagy irányváltáskor.

Ellenőrzés és javítás

- ◆ Használat előtt ellenőrizze, nem sérült-e a készülék, illetve nem hibás-e valamelyik alkatrésze. Ellenőrizze, nem törtek-e alkatrészei, vagy más körülmény nem akadályozza-e a készülék működését.

- ◆ Ne használja a készüléket, ha valamely alkatrész megsérült vagy hibás.
- ◆ A sérült vagy hibás alkatrészt márkaszervizben cseréltesse ki, illetve javíttassa meg.
- ◆ Soha ne próbáljon olyan alkatrészt eltávolítani vagy kicserélni, amelyet a kézikönyv nem említ.

Hosszabbító kábel használata

Mindig jóváhagyott, a készülék felvett teljesítményének megfelelő hosszabbító kábelt használjon (lásd a műszaki adatokat). Kültéri alkalmazásra megfelelő, ilyen jelöléssel ellátott hosszabbító kábelt használjon. Legfeljebb 30m hosszú és 1,5 mm² keresztmetszetű HO5VV-F hosszabbító kábelt használhat a termék teljesítményének csökkenése nélkül. Használat előtt ellenőrizze a hosszabbító kábelt sérülésre, kopásra és öregedésre. Cserélje ki a hosszabbító kábelt, ha az sérült vagy hibás. Ha kábeldobot használ, mindig teljesen tekerje le a kábelt.

Kiegészítő biztonsági utasítások fűszegélyvágóhoz

Figyelmeztetés! A vágó alkatrészek a motor kikapcsolása után is forognak.

- ◆ Ismerkedjen meg a szerszám vezérlőivel és megfelelő használatával.
- ◆ Használat előtt ellenőrizze a tápkábelt és a hosszabbító kábelt, nem láthatók-e rajtuk sérülés, kopás vagy elöregedés jelei. Ha valamelyik kábel használat közben megsérül, azonnal csatlakoztassa le a hálózati áramforrásról. **NE ÉRJEN A KÁBELHEZ MIELŐTT ÁRAMTALANÍTANÁ.**
- ◆ Ne használja a készüléket, ha kábelei sérültek vagy elhasználódtak.
- ◆ Védje a lábát magasszárú cipővel vagy csizmával.
- ◆ Viseljen hosszúszerű nadrágot, hogy védje a lábát.
- ◆ A szerszám használata előtt ellenőrizze, nincsenek-e a vágás útjában botok, kövek, drótok vagy más akadályok.
- ◆ Csak függőleges helyzetben használja a készüléket, a vágószál pedig a talaj közelében legyen. Soha ne kapcsolja be a készüléket más helyzetben.
- ◆ A készülék használatakor lassan mozogjon. Ne feledje, a frissen vágott fű nedves és csúszós.
- ◆ Ne dolgozzon meredek lejtőkön. Lejtőn keresztbe haladva dolgozzon, ne föl-le irányba.
- ◆ Ne keresztezzon kavicsos ösvényt, utat működő szerszámmal.
- ◆ Ne nyúljon a vágószálhoz, ha a készülék be van kapcsolva.

- ◆ Ne tegye le a szerszámot, amíg a vágószál forgása le nem állt.
- ◆ Csak a megfelelő típusú vágószálat használja. Soha ne használjon fém vágószálat vagy horgász zsinórt.
- ◆ Legyen óvatos, ne érjen a zsinórvágó pengéhez.
- ◆ Ügyeljen, hogy a vágószál ne érintkezhesse a tápkábellel. Mindig tudja, hol fut a tápkábel.
- ◆ Kezét, lábát folyamatosan óvja a vágószáltól, különösen a szerszám bekapcsolásakor.
- ◆ A készülék használata előtt és esetleges ütődése után ellenőrizze, nem sérült vagy kopott-e; ha szükséges, javítsa ki.
- ◆ Soha ne dolgozzon védőburkolat nélküli szerszámmal, illetve ha a burkolat megsérült.
- ◆ Ügyeljen, nehogy sérülést szenvedjen a vágószál levágására szolgáló alkatrész miatt. Új vágószál kihúzása után mindig állítsa szokásos működési helyzetbe a gépet még a motor bekapcsolása előtt.
- ◆ Mindig győződjön meg róla, hogy a szellőzőnyílásokat nem tömíti-e el törmelék.
- ◆ Ne használja a pázsit-, illetve szegélyvágót, ha kábelei sérültek vagy elhasználódtak.
- ◆ Óvja a hosszabbító kábelt a vágó alkatrésztől.

Címkék a készüléken

A következő figyelmeztető jelzések láthatók a készüléken:



A készülék használata előtt olvassa el a használati utasítást.



Viseljen védőszemüveget a készülék használatakor.



A készülék használata közben viseljen fülvédőt.



Azonnal csatlakoztassa le a gépet az áramforrásról, ha a kábelt elvágta vagy megsértette. Soha ne használja a szegélyvágót, ha a kábel sérült.



Óvakodjon a repülő tárgytól. Tartsa távol a nézelődőket a vágási területtől.



Ne tegye ki a készüléket esőnek, nedveségnek.



A 2000/14/EK irányelv szerint garantált hangerő.

Elektromos biztonság



A szerszám kettős szigeteléssel van ellátva, ezért nincs szükség földelő vezetékre. Mindig ellenőrizze, hogy a szerszám adat-tábláján megadott feszültség egyezik-e a hálózati feszültséggel.

- ◆ Ha a hálózati kábel sérült, azonnal cseréltesse le egy Black & Decker szakszervizben.
- ◆ Az elektromos biztonság növelhető egy 30mA-s leválasztó transzformátor vagy hibaáram-védelmi kapcsoló (Fi relé) előkapcsolásán keresztül.

Leírás

Az Ön által vásárolt készülék a következő jellemzőkkel rendelkezik:

1. Be/ki üzemi kapcsoló
2. Fogantyú
3. Kábeltehermentesítő
4. Hálózati csatlakozó
5. Pótfogantyú
6. Védőburkolat
7. Szálvágó él
8. Vágószál
9. Orsóház
10. Vágófej

Összeszerelés

Figyelmeztetés! Összeszerelés előtt ellenőrizze, hogy a szerszám ki van-e kapcsolva, és ki van-e húzva a konnektorból.

A pótfogantyú felszerelése (A ábra) (csak GL310 és GL360)

- ◆ Csúsztassa a pótfogantyút (5) a főfogantyúra (2) felfelé irányban.
- ◆ Rögzítse a pótfogantyút a mellékelt két csavarral.

A védőburkolat felszerelése (B ábra)

- ◆ Az ábrán látható módon helyezze el a védőburkolatot a készüléken.
- ◆ Határozottan nyomja a védőburkolatot (6) amíg a helyére kattant.
- ◆ Rögzítse a csavarral.

Figyelmeztetés! Soha ne használja a készüléket, ha nincs megfelelően felszerelve rá a védőburkolat.

A vágószál kioldása

A csomagolásban a vágószál az orsóházra van ragasztva.

- ◆ Távolítsa el a ragasztót, amely a vágószálat (8) az orsóházhoz (9) rögzíti.

A készülék áramforrásra való csatlakoztatása (C ábra)

- ◆ Csatlakoztassa az erre alkalmas hosszabbító kábelt a készülék csatlakozó aljzatához (4).
- ◆ Hurkolja át a kábelt a kábeltehermentesítőn (3).
- ◆ Csatlakoztassa a hosszabbító kábelt a hálózati csatlakozó aljzatba

A vezeték tehermentesítéséhez ellenőrizze, hogy a kábeltehermentesítőre valóban rá van hurkolva a kábel, mielőtt csatlakozna az áramforráshoz.

Figyelem! Csak szabadtéri használatra alkalmas hosszabbító kábelt használjon! Amennyiben kábeldobon lévő hosszabbító kábelt használ, úgy azt a munka megkezdése előtt mindig teljesen tekerje le.

Használat

Figyelmeztetés! Hagyja a szerszámot saját tempójában működni. Ne terhelje túl.

A készülék be- és kikapcsolása

- ◆ A gép bekapcsolásához húzza meg a kapcsolókart (1).
- ◆ A gép kikapcsolásához engedje el a kapcsolókart (1).

Figyelem! Soha ne próbálja meg a kapcsolókar rögzítését működő készüléknél.

Javaslatok optimális munkavégzéshez

Általános tanácsok

- ◆ Az optimális vágási eredmény érdekében csak száraz fűvet vágjon.

Fűszegélynyírás

- ◆ Tartsa a készüléket a D ábrán látható pozícióban.
- ◆ Lengesse könnyedén a fűszegélyvágót ide-oda, egyik oldalról a másikra.
- ◆ Ha hosszú fűvet vág, azt fokozatosan, kis lépésekben tegye a tetejétől kiindulva.
- ◆ Tartsa távol a készüléket keményebb tárgyaktól és érzékeny növényektől.
- ◆ A vágószál hamarabb elkopik, és többször kell pótolni, ha kövezett út vagy más erősen koptató felület mentén végzi a vágást, vagy ha erősebb gyomot vág vele.
- ◆ A fűszegélyvágó használata közben a kopástól a vágószál rövidebb lesz. Gyengén érintse a földhöz a készülék damilházát működés közben, és megtörténik a vágószál pótlása.
- ◆ Ha a készülék motorja elkezd lassabban pörögni, csökkentse a terhelést.

Új vágószál-orsó felszerelése (E - F ábra)

A vágószál-orsó cseréjéhez a cseredarabot Black & Decker márkakereskedőjétől szerezheti be (kat. sz. A6226).

- ◆ Tartsa lenyomva a füleket (12), és vegye le a orsófedelelet (13) az orsóházról (9).
- ◆ Vegye ki az üres orsót (14) a házból.
- ◆ Távolítson el minden szennyeződést és fűtörmeléket a orsófedélből és a házból egyaránt.
- ◆ Fogja meg az új orsót és tekerjen le arról kb. 10 cm vágószálat.
- ◆ Bújtassa át a vágószálat a nyíláson (15).
- ◆ Nyomja rá az orsót a hajtótengelyre (16), és forgassa kissé, amíg a helyére kerül. Ellenőrizze, hogy a vágószál nem szorult-e be az orsó alá, és 10 cm-nyi vágószál kilóg-e a házból.
- ◆ Igazítsa hozzá az orsófedélen lévő füleket (12) a ház nyílásaihoz.
- ◆ Nyomja a fedelet a házra, hogy az biztosan a helyére pattanjon.

Figyelmeztetés! Ha a vágószál túlnyúlik a szálvágó élen (7), vágja le úgy, hogy éppen a pengéig érjen.

Új vágószál felcsévélése az üres orsóra (G - I ábra)

A pótvágószál megvásárolható a Black & Decker szaktereskedőknél. (típuszám: A6170 (31m) és A6171 (50m)).

- ◆ Távolítsa el az üres orsót a készülékről a fent leírtak szerint.
- ◆ Távolítsa el az orsóról a maradványszálakat.
- ◆ Vezessen 2 cm hosszú szálat az orsó egyik furatába (17) az ábrán látható módon.
- ◆ Csévélje fel a vágószálat az orsóra (18) a nyíl irányába. Ügyeljen arra, hogy a szálat egymás mellé, rétegesen tekerceslje fel. Ne keresztezze a szálakat.
- ◆ Ha a feltekerceselt szál eléri a mélyedést vágja el. Hagyja a szálat kb. 10 cm-el túlnyúlni az orsóból és tartsa meg az ujjával.
- ◆ A már korábban leírtak szerint helyezze az orsót a készülékre.

Figyelem! Csak megfelelő típusú Black & Decker vágószálat használjon.

Tápcsatlakozó cseréje (csak az Egyesült Királyságban és Írországban)

Ha új tápcsatlakozó dugaszra van szükség:

- ◆ A régi dugaszt biztonságos módon semmisítse meg.
- ◆ A barna vezetéköt kösse az új csatlakozódugó fázis csatlakozójához.
- ◆ A kék vezetéköt csatlakoztassa a nulla érintkezőhöz.

Figyelmeztetés! A földelő csatlakozóhoz nem kell vezetéköt kötnie. Kövesse a jó minőségű csatlakozó dugaszhoz mellékelt szerelési utasítást.

Ajánlott biztosíték: 5 A.

Hibaelhárítás

Ha az Ön készüléke nem rendeltetésszerűen működik, kövesse az alábbi instrukciókat. Ha a hiba nem hárítható el az alábbi módszerekkel, kérjük, forduljon a legközelebbi Black & Decker szervizhez.

Figyelem! Mielőtt bármilyen hibaelhárítási munkálatba kezdene, győződjön meg arról, hogy a készülék ki van kapcsolva, és a hálózati csatlakozó le van választva az áramforrásról.

A készülék fordulatszámja lassul

- ◆ Ellenőrizze, hogy az orsóház szabadon elforgatható-e. Szükség esetén óvatosan tisztítsa meg.
- ◆ Ellenőrizze, hogy az orsóházból ne lógjon ki a vágószál 11 cm-nél hosszabban. Ha mégis így van, vágja akkorára, hogy éppen csak érintse a vágó élt.

Az automatikus száladagoló nem működik

- ◆ Tartsa a füleket benyomva és távolítsa el az orsófedelelet az orsóházról.
- ◆ Húzza ki a vágószálat, amíg az 11 cm-re kinyúlik az orsóházból. Ha nincs elegendő vágószál az orsón, helyezzen fel egy új orsót, vagy csévéljen újabb vágószálat az üres orsóra a fent leírtak szerint.
- ◆ Igazítsa az orsófedél füleit az orsóház illesztékeibe.
- ◆ Nyomja az orsófedelelet az orsóházba addig, amíg pontosan be nem illeszkedik a helyére.
- ◆ Ha a vágószál túlnyúlik a vágó élen, vágja akkorára, hogy éppen csak érintse az élt.

Ha az automatikus száladagoló még ezek után sem működik, vagy az orsón lévő vágószál összetekeredett, próbálkozzon a következőkkel:

- ◆ Óvatosan tisztítsa meg az orsófedelelet és az orsóházat.
- ◆ Távolítsa el az orsót és ellenőrizze, hogy helyén van-e a rugó illetve a kapcsolókar szabadon mozgatható-e.
- ◆ Távolítsa el az orsót és csévélje fel újra a vágószálat, pontosan úgy, ahogy a fentiekben leírtuk. Helyezze vissza az orsót az előzőek szerint.

Karbantartás

Az Ön vezetékös/vezeték nélküli Black & Decker készülékét/szerszámát minimális karbantartás melletti hosszú távú felhasználásra terveztük. A folyamatos kielégítő működés feltétele a készülék megfelelő gondozása és rendszeres tisztítása.

Figyelmeztetés! A hálózati/ akkumulátoros készülék karbantartása előtt:

- ◆ Kapcsolja ki és áramtalanítsa a szerszámot/ készüléket.
- ◆ Vagy kapcsolja ki/válassza le az akkumulátort a szerszámról/készülékről, ha az eltávolítható.
- ◆ Vagy hagyja teljesen lemerülni az akkumulátort, ha az a géppel egybe van építve, majd ezután kapcsolja ki.
- ◆ Húzza ki a töltő tápkábelét tisztítás előtt. A rendszeres tisztításon kívül töltsse nem igényel más karbantartást.
- ◆ Puha kefével vagy száraz törlőkendővel rendszeresen tisztítsa meg a szerszám/készülék és a töltő szellőzőnyílásait.
- ◆ Nedves ronggyal rendszeresen tisztítsa a burkolatot. Ne használjon súrolószert vagy oldószert alapú tisztítót.

A környezet védelme



Elkülönítve gyűjtendő. A termék nem kezelhető háztartási hulladékként.

Ha egy nap úgy véli, hogy az Ön Black & Decker szerszámát le kell cserélnie vagy arra a továbbiakban nincs szüksége, akkor azt a háztartási hulladékoktól elkülönítve selejtezze le. Gondoskodjék elkülönített kezeléséről.



A használt termékek és csomagolásuk elkülönített kezelése lehetővé teszi az anyagok újrafeldolgozását. Az újrafeldolgozott anyagok alkalmazása segít megelőzni a környezetszennyezést és csökkenti a nyersanyagszükségletet.

A helyi rendelkezések intézkedhetnek az elektromos termékek háztartási hulladéktól elkülönített gyűjtéséről a helyi hulladékgyűjtő helyeken, illetve olyan értelemben, hogy a helyi kereskedőnek kell gondoskodnia a termék visszavételéről új termék vásárlásakor.

A Black & Decker lehetőséget biztosít a Black & Decker termékek gyűjtésére és újrafeldolgozására, ha azok elérték élettartamuk végét. A szolgáltatás igénybevételéhez kérjük, vigye vissza a terméket bármely márkaszervizünkbe, ahol vállalatunk képviselőjében gondoskodnak annak elkülönített összegyűjtéséről.

Az Önhöz legközelebb eső hivatalos márkaszervizt a kézikönyvben megadott helyi Black & Decker képviselő segítségével érheti el. Alternatív megoldásként lásd a szerződött Black & Decker szervizek listáját, illetve az eladásutáni szolgáltatásaink elérhetőségének részletes ismertetését a következő internetes címen: **www.2helpU.com**

Műszaki adatok

| | | GL250 1. típus | GL310 1. típus | GL360 1. típus |
|----------------------|-------------------|-------------------|-------------------|-------------------|
| Bemeneti feszültség | Vv.á. | 230 | 230 | 230 |
| Felvett teljesítmény | W | 250 | 300 | 350 |
| Üresjárat | | | | |
| fordulatszám | min ⁻¹ | 11 500 | 11 500 | 11 500 |
| Tömeg | kg | 1,3 | 1,6 | 1,6 |

Kéz/kar súlyozott rezgési érték az EN 786 szerint: = 7,5 m/s², toleranciafaktor (K) = 1,5 m/s²,

L_{PA} (hangerő) 80 dB(A), toleranciafaktor (K) 1,5 dB(A)

CE megfelelőségi nyilatkozat

GÉPEK IRÁNYELV
KÖRNYEZETI ZAJ IRÁNYELV



GL250/GL310/GL360

A Black & Decker kijelenti, hogy a „Műszaki adatok” részben ismertetett termékek megfelelnek a következő irányelveknek és szabványoknak:

2006/42/EK, EN 60335-1, EN 60335-2-91

2000/14/EK, Szegélyvágó L ≤ 50 cm, VIII. melléklet

KEMA Quality B.V., Utrechtseweg 310, 6802 ED Arnhem, Hollandia

Tanúsító szervezet azonosító száma: 0344

A hangerő szintje a 2000/14/EK szerint: (III. melléklet 12. cikkely, L ≤ 50 cm):

L_{WA} (mért hangerő) 94 dB(A)
toleranciafaktor (K) = 1,5 dB(A)

L_{WA} (garantált hangteljesítményszint) 96 dB(A)
toleranciafaktor (K) = 1,5 dB(A)

A termékek szintén megfelelnek a 2004/108/EK irányelvnek. További információért forduljon a Black & Decker vállalathoz az alábbi címen, vagy a kézikönyv hátoldalán található elérhetőségeken. Az aláírás tulajdonosa a műszaki adatok összeállításáért felelős személy; nyilatkozatát a Black & Decker vállalat nevében adja.

Kevin Hewitt

Alelnök, Global Engineering
Black & Decker Europe,
210 Bath Road, Slough,
Berkshire, SL1 3YD Egyesült Királyság

25.10.2010

Garancia határozat

A Black & Decker elhivatott a termékei minősége iránt, és kiterjesztett garanciát kínál. Ez a garanciahatározat csak kiegészíti és semmi esetre sem befolyásolja hátrányosan az Ön törvényes jogait. A garancia az Európai Unió tagállamai területén, valamint az Európai Szabadkereskedelmi Társulás (EFTA) területén érvényes.

Ha egy Black & Decker termék anyaghiba, a kivitelezés módja vagy a megfelelés hiánya miatt meghibásodik, az eladás dátumától számított 24 hónapig a Black & Decker garanciát vállal a hibás alkatrészek cseréjére, a normál kopásnak kitett termékek javítására, illetve az ilyen termékek kicserélésére, hogy ügyfeleinek a lehető legkisebb kellemetlenséget okozza az alábbi feltételekkel:

- ◆ A terméket nem használták kereskedelmi, ipari alkalmazásokhoz, és nem adták bérbe;
- ◆ A terméket rendeltetésszerűen és körültekintően használták;
- ◆ A termék nem idegen tárgytól, szennyeződéstől vagy külső behatástól sérült meg;
- ◆ A termék javítására nem tett kísérletet olyan személy, aki nem tartozik a hivatalos szerviz vagy a Black & Decker szervizszemélyzet tagjai közé.

A garancia érvényesítéséhez az eladónak vagy a hivatalos szerviznek be kell nyújtani a vásárláskor kapott számlát. Ha igénybe veszi ezt a szolgáltatást, kérjük, juttassa el készülékét a legközelebbi Black & Decker szervizbe, melyekről a magyarországi képviselőnél érdeklődhet. A szervizzel kapcsolatosan a következő Internet oldalon is felvilágosítást kaphat: **www.2helpU.com**.

A következő meghibásodások esetén a garancia kizárt:

- ◆ Elhasználódott, illetve károsodott kések, és a hálózati kábel. Azok az alkatrészek, amelyek a normál használat során elkopnak.
- ◆ Azok a meghibásodások, amelyek a szakszerűtlen kezelésemből eredtek.
- ◆ Azok a hibák, amelyek a kezelési útmutató be nem tartásából eredtek.

Kizárólag csak eredeti Black & Decker tartozékok és alkatrészek alkalmazhatók. Ellenkező esetben teljesítménycsökkenés léphet fel, és a gép elveszti a garanciát. Ha garanciális igénye van, feltétlen mellékelje a jótállási jegyet és a vásárlási okmányokat (számlát).

BLACK & DECKER GARANCIÁLIS FELTÉTELEK

Gratulálunk Önnek ennek az értékes Black & Decker készülék megvásárlásához.

Azon termékeinkre, amelyet fogyasztói használat keretében háztartási, hobby célra vásárolnak **24 hónap jótállást biztosítunk.**

A termék iparszerű használatra nem alkalmas!

A jótállás a fogyasztó törvényből eredő jogait nem érinti.

- 1) **Black & Decker** kötelezettséget vállal arra, hogy a garanciális javításokat a **49/2003. (VII. 30.) GKM** és a **151/2003 (IX.22.) sz. Korm. rend.** szerint végzi.
 - a) A fogyasztó jótállási igényét a jótállási jeggyel érvényesítheti, ezért azt őrizze meg.
 - b) Vásárláskor az eladónak a garanciakártyán fel kell tüntetnie a vásárlás időpontját, a termék típusát vagy termékkódját, a kereskedés nevét, címét pedig a jótállási jegyre rá kell bélyegezni. Ennek alapján szerez jogosultságot a vevő a garancia időn belüli ingyenes garanciális javításra.
 - c) Jótállási javítást csak érvényes jótállási jegy alapján végezhetnek a kijelölt szervizek.
 - d) A jótállási jegyen történt bármilyen javítás, törlés vagy átírás, valótlan adatok bejegyzése, a jótállási jegy érvénytelenségét vonja maga után.
 - e) Elvesztett jótállási jegyet csak a vásárlási számla felmutatásával, térítés ellenében tudunk pótolni!
 - f) A jótállási jegy szabálytalan kiállítás vagy a fogyasztó részére történő átadásának elmaradása nem érinti a jótállási kötelezettségvállalás érvényességét.
- 2) **Nem terjed ki a garancia:**
 - a) Ha a hiba rendeltetésellenes használat, átalakítás, szakszerűtlen kezelés, helytelen tárolás, elemi kár vagy egyéb, vásárlás után keletkezett okból következett be. *(A rendeltetéssel ellentétes használat elkerülése céljából a termékhez magyar nyelvű vásárlói tájékoztatót mellékelünk és kérjük, hogy az abban foglaltakat saját érdekében tartsa be!)*
 - b) Az olyan károsodásokra, amelyek a szerszámok iparszerű (professzionális), közületi, valamint kölcsönzési felhasználása miatt keletkeztek.
 - c) Azon alkatrészekre, amelyeknél a meghibásodás garanciaidőn belül a helyes kezelés, karbantartás szerinti rendeltetészerű üzemeltetés mellett az alkatrészek természetes elhasználódása, kopása következtében állt elő. *(ezek a következők: megmunkáló szerszámok pl. vágószerszám, fűrészlánc, fűrészlap, gyalukés stb. továbbá: meghajtósíj, csapágy, szénkefe, csillagkerék kpl.)*
 - d) A készülék túlterhelése miatt jelentkező hibákra, amelyek a hajtómű meghibásodásához, vagy egyéb ebből adódó károkhoz vezetnek.
 - e) A termék nem hivatalos szervizben történt javításából eredő hibákra.
 - f) Az olyan károsodásokra, amelyek nem eredeti Black & Decker kiegészítő készülékek és tartozékok használatából adódnak.

- 3) **A fogyasztó** a javítás iránti igényét a forgalmazónál, illetve a jótállási jegyen feltüntetett javítószolgálatnál érvényesítheti.
 - Meghosszabbodik a jótállási idő a javítási idő azon részével, amely alatt a fogyasztó a terméket nem tudta rendeltetészerűen használni.
 - A jótállási és szavatossági jogok érvényesíthetőségének határidején belül a terméknek vagy jelentősebb részének kicserélése (javítása) esetén a kicserélt (javított) termékre (termékrészre) 12 hónap jótállást biztosítunk. Ezek a következők: motor illetve állórész, forgórész, elektronika.
 - Ha a fogyasztási cikk a vásárlástól (üzembe helyezéstől) számított három munkanapon belül meghibásodik, a fogyasztó kérheti annak kicserélését feltéve, hogy a meghibásodás a rendeltetészerű használatot akadályozza. A Black & Decker Hungary Kft. a meghibásodás okának feltárása céljából fenntartja a jogot a hibás termék bevizsgálására. Amennyiben a reklamáció alkalmával a meghibásodás garanciális voltáról nem nyilatkozunk, úgy 72 órán belül kell értesítenünk a vásárlót a reklamáció intézésének módjáról.
Ha a csere nem lenne lehetséges, műszakilag hasonló készülék kerül felajánlásra, vagy visszafizethető a vételár.

Amennyiben a hiba keletkezése, ténye, jellege, (pl. rendeltetésellenes használat, stb.) miatt vita merül fel, a Fogyasztó szakvéleményt kérhet a az arra illetékes szervtől / jogi személytől. A szakvélemény térítésköteles és nem kötelező érvényű a Forgalmazó számára.

- 4) **Garanciális javítás esetén** a szerviznek a garanciakártyán az alábbi adatokat kell feltüntetnie:
 - a garanciális igény bejelentésének dátumát,
 - a hiba rövid leírását,
 - a javítás módját és időtartamát,
 - a készülék visszaadásának időpontját,
 - javítás időtartamával meghosszabbított új garanciaidőt.
- 5) **Arra törekszünk, hogy szervizhálózatunkon** keresztül kiváló javítószolgálatot, zökkenőmentes alkatrészellátást, és széles tartozékpalettát biztosítsunk.
- 6) **A fogyasztót a Polgári Törvénykönyvről szóló 1959. évi IV. törvény 306-310. §-ában, valamint a 49/2003. (VII. 30.) GKM** rendeletben meghatározott jogok illetik meg.

Gyártó:

Black & Decker Europe,
210 Bath Road, Slough,
Berkshire, SL13YD,
Egyesült Királyság

Importőr:

Stanley Black & Decker
Hungary Kft., 1016 Budapest
Mészáros u. 58/b

Przeznaczenie

Opisywana podkaszarka Black & Decker przeznaczona jest do koszenia i przycinania krawędzi i trawników oraz koszenia trawy w trudno dostępnych miejscach. Opisywane urządzenie przeznaczone jest wyłącznie do użytku amatorskiego.

Zasady bezpiecznej pracy

Uwaga! W czasie pracy narzędziami zasilanymi sieciowo, należy przestrzegać podstawowych zasad bezpiecznej pracy oraz poniższych zaleceń, co pozwala zminimalizować ryzyko pożaru, porażenia prądem, zranienia lub uszkodzenia mienia.

Uwaga! W trakcie eksploatacji maszyny należy przestrzegać przepisów bezpieczeństwa. Dla bezpieczeństwa własnego oraz innych osób przed rozpoczęciem eksploatacji należy przeczytać poniższą instrukcję obsługi. Instrukcję należy przechowywać w bezpiecznym miejscu, aby umożliwić jej wykorzystanie w przyszłości.

- ◆ Przed przystąpieniem do użytkowania należy uważnie przeczytać całą instrukcję obsługi.
- ◆ Przeznaczenie urządzenia opisane jest w instrukcji obsługi. Użycie akcesoriów lub końcówek innych niż opisane w instrukcji obsługi oraz wykorzystanie urządzenia do innych celów, jest niebezpieczne i stwarza ryzyko zranienia.
- ◆ Zachować instrukcję do późniejszego użycia.

Użytkowanie urządzenia

W czasie użytkowania urządzenia, należy zachować ostrożność.

- ◆ Zawsze należy używać okularów ochronnych lub gogli.
- ◆ Nie wolno pozwalać dzieciom ani osobom nie znającym instrukcji na użytkowanie urządzenia.
- ◆ Nie wolno pozwalać na zbliżanie się dzieci lub zwierząt do miejsca pracy ani na dotykanie urządzenia lub przewodu zasilającego.
- ◆ W przypadku znajdowania się dzieci w pobliżu obszaru pracy urządzenia, konieczne jest zapewnienie im uważnej opieki.
- ◆ Opisywane urządzenie nie może być samodzielnie użytkowane przez osoby zbyt młode lub niewystarczająco silne.
- ◆ Opisywane urządzenie nie jest zabawką i nie może być w ten sposób wykorzystywane.
- ◆ Należy pracować przy świetle dziennym lub mocnym oświetleniu sztucznym.
- ◆ Używać wyłącznie w suchym otoczeniu. Nie dopuszczać do zamoczenia urządzenia.
- ◆ Nie wolno zanurzać urządzenia w wodzie.
- ◆ Nie wolno zanurzać urządzenia w wodzie. Wewnątrz nie ma żadnych elementów, które wymagają konserwacji przez użytkownika.

- ◆ Nie używaj urządzenia w strefach zagrożonych wybuchem, na przykład w pobliżu palnych cieczy, gazów lub pyłów.
- ◆ Aby uniknąć uszkodzenia wtyczki lub przewodu, nigdy nie wolno ciągnąć za przewód zasilający, aby wyjąć wtyczkę z kontaktu.

Bezpieczeństwo osób postronnych

- ◆ Opisywane urządzenie nie jest przeznaczone do użycia przez osoby o obniżonych możliwościach fizycznych, ruchowych lub umysłowych (także dzieci) lub o zbyt małej wiedzy i doświadczeniu, jeśli nie zostały one przeszkolone lub nie pozostają pod opieką osoby odpowiedzialnej za ich bezpieczeństwo.
- ◆ Należy pilnować dzieci, aby nie bawiły się urządzeniem.

Pozostałe zagrożenia.

W czasie pracy elektronarzędziem mogą powstać zagrożenia, które nie zostały uwzględnione w załączonej instrukcji dotyczącej bezpiecznego użytkowania. Zagrożenia te mogą wynikać z niewłaściwego użytkowania, zbyt intensywnej eksploatacji lub innych przyczyn.

Nawet w przypadku przestrzegania zasad bezpiecznej pracy i stosowania środków ochronnych, nie jest możliwe uniknięcie pewnych zagrożeń. Należą do nich:

- ◆ **Zranienia wynikające z dotknięcia wirujących / ruchomych elementów.**
- ◆ **Zranienia w czasie wymiany części, ostrzy lub akcesoriów.**
- ◆ **Zranienia związane ze zbyt długotrwałym używaniem narzędzia. Pracując przez dłuższy czas, należy robić regularne przerwy.**
- ◆ **Ryzyko uszkodzenia słuchu.**
- ◆ **Zagrożenie dla zdrowia spowodowane wdychaniem pyłu wytwarzanego podczas użytkowania urządzenia (np.: podczas pracy w drewnie, szczególnie dębowym, bukowym oraz MDF).**

Po użyciu

- ◆ Nie używane urządzenie należy przechowywać w suchym, dobrze wentylowanym miejscu, poza zasięgiem dzieci.
- ◆ Dzieci nie mogą mieć dostępu do urządzenia.
- ◆ W czasie przewożenia lub przechowywania urządzenia w samochodzie, należy umieścić je w odpowiednim zagłębieniu lub przymocować tak, aby nie miało możliwości przesunięcia się w czasie gwałtownych manewrów.

Przeglądy i naprawy

- ◆ Przed użyciem sprawdzić, czy nie występują uszkodzenia lub wadliwe elementy. Sprawdzić wszelkie elementy i inne okoliczności mogące mieć wpływ na pracę urządzenia.
- ◆ Nie wolno używać uszkodzonego lub zepsutego urządzenia.
- ◆ Napraw powinien dokonywać autoryzowany serwis.
- ◆ Nie wolno demontować ani wymieniać żadnych innych części, niż te, które zostały wymienione w niniejszej instrukcji obsługi.

Użycie przedłużacza

Należy zawsze używać przedłużacza dostosowanego do poboru mocy przez urządzenie (patrz dane techniczne). Przedłużacz musi być przeznaczony do użycia na dworze i posiadać odpowiednie oznaczenia. Użycie przedłużacza oznaczonego HO5VV-F, o maksymalnej długości 30 m i przekroju 1,5 mm² nie spowoduje spadku mocy urządzenia. Przed rozpoczęciem pracy sprawdź, czy przewód nie jest uszkodzony lub zużyty. Uszkodzony przedłużacz należy wymienić. Przedłużacz nawinięty na bęben należy całkowicie rozwinąć.

Dodatkowe wskazówki dotyczące bezpiecznej pracy podkaszarkami

Uwaga! Elementy tnące obracają się jeszcze przez jakiś czas po wyłączeniu silnika.

- ◆ Należy zapoznać się z działaniem i zasadami prawidłowego użytkowania urządzenia.
- ◆ Przed użyciem należy sprawdzić stan przewodu zasilającego i przedłużacza, czy widoczne są oznaki uszkodzenia lub zużycia. W razie uszkodzenia przewodu w czasie pracy, należy natychmiast odłączyć go od źródła zasilania. **NIE WOLNO DOTYKAĆ PRZEWODU PRZED ODŁĄCZENIEM ZASILANIA.**
- ◆ Nie wolno używać urządzenia, gdy przewód jest uszkodzony lub zużyty.
- ◆ Załóż wzmacniane buty chroniące Twoje stopy.
- ◆ Noś długie spodnie osłaniające Twoje nogi.
- ◆ Przed rozpoczęciem pracy sprawdź, czy w obszarze pracy nie ma żadnych patyków, kamieni, drutów lub innych przeszkód.
- ◆ Używaj urządzenia tylko w pozycji pionowej tak, aby żyłka znajdowała się w pobliżu ziemi. Nie wolno włączać urządzenia w innej pozycji.
- ◆ W czasie pracy poruszaj się powoli. Uważaj, ponieważ świeżo ścięta trawa jest mokra i śliska.
- ◆ Nie używaj na zbyt stromych zboczach. Pracuj w poprzek zbocza, nie w kierunku góra-dół.
- ◆ Nie wolno przechodzić przez ścieżki żwirowe i uliczki z włączonym urządzeniem.

- ◆ Nie wolno dotykać żyłki w czasie, gdy włączone jest urządzenie.
- ◆ Urządzenie można odłożyć dopiero, kiedy żyłka całkowicie się zatrzyma.
- ◆ Używać wyłącznie odpowiednich żyłek. Nie wolno używać metalowych żyłek.
- ◆ Uważaj, aby nie dotknąć ostrza odcinającego żyłkę.
- ◆ Trzymaj przewód zasilający z dala od żyłki. Zawsze kontroluj położenie przewodu zasilającego.
- ◆ Trzymaj ręce i stopy zawsze z dala od żyłki, szczególnie w czasie uruchamiania.
- ◆ Przed rozpoczęciem pracy i po każdym uderzeniu, należy sprawdzić stan urządzenia. W przypadku oznak zużycia lub uszkodzenia, należy przeprowadzić odpowiednie naprawy.
- ◆ Nie wolno używać urządzenia z uszkodzonymi osłonami lub bez poprawnie założonych osłon.
- ◆ Uważaj aby nie zranić się elementami służącymi do obcinania żyłki. Po rozwinięciu nowej żyłki, należy najpierw ustawić podkaszarkę w pozycji roboczej a dopiero potem ją włączyć.
- ◆ Zawsze sprawdzaj, czy otwory wentylacyjne są czyste.
- ◆ Nie wolno używać podkaszarki (przycinarki), gdy przewód jest uszkodzony lub zużyty.
- ◆ Trzymaj przedłużacze z dala od elementów tnących.

Oznaczenia na urządzeniu

Na urządzeniu umieszczone są następujące symbole ostrzegawcze:



Przed rozpoczęciem pracy przeczytać instrukcję obsługi.



W czasie pracy opisywanym urządzeniem, należy nosić okulary ochronne lub gogle.



Stosuj ochronę słuchu w czasie pracy.



Przed sprawdzeniem uszkodzonego przewodu zawsze wyciągnij wtyczkę z gniazda. Nie włączaj wykaszarki, gdy przewód zasilający jest uszkodzony.



Zachowaj ostrożność w związku z możliwością gwałtownego wyrzucenia przedmiotów przez wykaszarkę. Poproś obserwatorów o opuszczenie obszaru cięcia.



Nie wolno wystawiać urządzenia na działanie deszczu lub dużej wilgotności.



Natężenie mocy akustycznej zgodne z dyrektywą 2000/14/EC.

Ochrona przed porażeniem prądem elektrycznym



To narzędzie ma podwójną izolację, dlatego też przewód uziemiający nie jest potrzebny. Zawsze sprawdzaj, czy napięcie zasilania jest zgodne z wartością podaną na tabliczce znamionowej.

- ◆ Ze względów bezpieczeństwa wymianę uszkodzonego przewodu zasilającego należy powierzyć producentowi lub autoryzowanemu centrum serwisowemu Black & Decker.
- ◆ Bezpieczeństwo elektryczne może zostać dodatkowo zwiększone przez zastosowanie wyskokoczułego wyłącznika różnicowoprądowego (RCD) o prądzie 30 mA.

Wyposażenie

Opisywane urządzenie zawiera wszystkie lub niektóre z niżej wymienionych elementów.

1. Wyłącznik
2. Uchwyt
3. Mocowanie przewodu
4. Gniazdo zasilania
5. Drugi uchwyt
6. Osłona
7. Ostrze przycinające żyłkę
8. Żyłka
9. Obudowa bębna żyłki
10. Głowica

Montaż

Uwaga! Przed rozpoczęciem montażu upewnić się, czy narzędzie jest wyłączone i wtyczka zasilania jest odłączona.

Mocowanie drugiego uchwytu (rys. A) (tylko GL310 oraz GL360)

- ◆ Wsuń drugi uchwyt (5) na główny uchwyt (2) w kierunku od dołu ku górze.
- ◆ Zamocuj drugi uchwyt za pomocą dwóch śrub dołączonych do zestawu.

Montaż osłony (rys. B)

- ◆ Umieścić osłonę na narzędziu, jak pokazano na rysunku.
- ◆ Mocno docisnąć osłonę (6) aż do wsunięcia na miejsce.
- ◆ Przymocować osłonę śrubą.

Uwaga! Nie wolno używać urządzenia bez prawidłowo zamontowanej osłony.

Luzowanie żyłki

Na czas transportu żyłka przyklejona jest taśmą do kasety.

- ◆ Zdjąć taśmę mocującą żyłkę (8) do kasety (9).

Podłączanie narzędzia do zasilania (rys. C)

- ◆ Przyłączyć wtyczkę żeńską odpowiedniego przedłużacza do gniazda zasilania (4).
- ◆ Przełożyć przewód przez zaczep (3).
- ◆ Włożyć wtyczkę przewodu zasilającego do kontaktu.

W przypadku urządzeń ze stałym przewodem zasilającym: Przed włożeniem wtyczki do gniazdka, należy upewnić się, że przewód przełożony jest przez zaczep podtrzymujący przewód.

Uwaga! Przedłużacz musi być dopuszczony do użycia na dworze.

Eksploatacja

Uwaga! Uwzględnij tempo pracy urządzenia. Nie przeciążaj narzędzia.

Włączanie i wyłączanie

- ◆ Aby włączyć urządzenie, należy nacisnąć dźwignię wyłącznika (1).
- ◆ Aby wyłączyć narzędzie, należy zwolnić wyłącznik.

Uwaga! Nie wolno blokować wyłącznika w pozycji włączonej.

Wskazówki praktyczne

Ogólne

- ◆ Aby osiągnąć najlepsze efekty cięcia, należy kosić tylko suchą trawę.

Koszenie

- ◆ Trzymaj urządzenie tak, jak pokazano na rysunku D.
- ◆ Płynnym ruchem przesuwaj kosiarkę na boki.
- ◆ W przypadku koszenia długiej trawy, pracuj stopniowo, zaczynając od góry. Przycinaj trawę po trochu.
- ◆ Nie zbliżaj podkaszarki do twardych przedmiotów i delikatnych roślin.
- ◆ Kontakt żyłki z betonem lub innymi szorstkimi powierzchniami albo grubymi łodygami przyspieszy zużycie żyłki oraz spowoduje szybsze jej zużycie.
- ◆ W trakcie eksploatacji podkaszarki występowało będzie skrócenie żyłki, związane z jej zużyciem. W trakcie pracy urządzenia delikatnie uderzyć piastą o podłoże, co spowoduje rozwinięcie żyłki.

- ◆ Jeśli narzędzie zwalnia, należy zmniejszyć obciążenie.

Montaż nowej szpuli z żyłką (rys. E - F)

Zapaszowe szpule z żyłką dostępne są u sprzedawców Black & Decker (numer katalogowy A6226).

- ◆ Trzymając wciśnięte zapinki (12) zdjąć osłonę szpuli (13) z kasety (9).
- ◆ Wyjąć pustą szpulę (14) z kasety.
- ◆ Oczyszczyć osłonę i kasetę z zabrudzeń i trawy.
- ◆ Weź nową kasetę i odwiń około 10 cm żyłki.
- ◆ Przełożyć żyłkę przez otwór (15).
- ◆ Nałożyć szpulę na wałek napędowy (16), lekko obrócić aż będzie na miejscu. Należy upewnić się, że żyłka nie dostała się pod szpulę oraz, że wystaje z kasety na około 10 cm.
- ◆ Dopasować zapinki (12) osłony szpuli do otworów w kasecie (15).
- ◆ Wcisnąć osłonę na kasetę do momentu zapięcia na miejscu.

Uwaga! Jeśli żyłka wystaje poza ostrze przycinające żyłkę (7), należy obciąć ją tak, aby ledwo sięgała ostrza.

Nawijanie nowej żyłki na pustą szpulę (Rys. G - I)

Istnieje możliwość nawinięcia nowej żyłki na szpulę. Zapaszowe szpule z żyłką dostępne są u sprzedawców Black & Decker (numer katalogowy A6170 (25 m), A6046 (37,5 m) oraz A6171 (40 m)).

- ◆ Wyjąć pustą szpulę z narzędzia, postępując zgodnie z powyższym opisem.
- ◆ Usunąć pozostałości starej żyłki ze szpuli.
- ◆ Wsunąć 2 cm żyłki w otwory (17) w szpuli, jak pokazano na rysunku.
- ◆ Nawinąć żyłkę na szpulę w kierunku wskazanym przez strzałkę (18). Żyłkę należy nawijać starannie i w warstwach. Nie krzyżować żyłki.
- ◆ Odwinąć około 10 cm żyłki. Palcem przytrzymać aby nie rozwijała się dalej.
- ◆ Postępując zgodnie z powyższym opisem, zamontować szpulę.

Uwaga! Używać wyłącznie odpowiedniego rodzaju żyłek firmy Black & Decker.

Wymiana wtyczki sieciowej (dotyczy tylko Wielkiej Brytanii i Irlandii)

Jeśli występuje konieczność montażu nowej wtyczki:

- ◆ Odpowiednio zutylizuj starą wtyczkę.
- ◆ Przyłącz brązowy przewód do zacisku fazy w nowej wtyczce.
- ◆ Przyłącz niebieski przewód do zacisku zerowego.

Uwaga! Nie wykonuje się przyłączenia do końcówki uziemienia. Wykonaj instrukcje instalacji dołączone do wtyczek wysokiej jakości. Zalecany bezpiecznik: 5 A.

Rozwiązywanie problemów

Jeśli Państwa urządzenie pracuje w sposób niewłaściwy, prosimy o zastosowanie się do poniższych instrukcji. Jeśli to nie rozwiąże problemu, należy skontaktować się z lokalnym przedstawicielem serwisowym Black & Decker.

Uwaga! Przed podjęciem poniższych działań należy odłączyć wtyczkę od źródła zasilania.

Urządzenie pracuje zbyt wolno

- ◆ Sprawdź, czy kasetę może się swobodnie obracać. Jeśli to konieczne, ostrożnie ją oczyść.
- ◆ Sprawdź, czy żyłka nie wystaje więcej niż 11 cm poza kasetę. Jeśli wystaje więcej, należy ją przyciąć tak, aby ledwo dosięgała ostrza przycinającego żyłkę.

Jeżeli żyłka nie rozwija się po uderzeniu piastą o podłoże

- ◆ Trzymając wciśnięte zapinki zdejmij osłonę szpuli z kasety.
- ◆ Wyciągnij żyłkę tak, aby wystawała 11 cm z obudowy. Jeśli ilość żyłki nawiniętej na szpulę jest niewystarczająca, należy założyć nową żyłkę, postępując zgodnie z powyższą instrukcją.
- ◆ Przypasować zapinki osłony szpuli do wycięć w kasecie.
- ◆ Wcisnąć osłonę na kasetę do momentu zapięcia na miejscu.
- ◆ Jeśli żyłka wystaje poza ostrze przycinające żyłkę, należy obciąć ją tak, aby ledwo sięgała ostrza.

Jeśli uderzeniowe rozwijanie linki nadal nie działa lub szpula jest zaklinowana, należy spróbować:

- ◆ Ostrożnie oczyścić osłonę szpuli i kasetę.
- ◆ Wymontuj szpulę i sprawdź, czy sprężyna jest właściwie zamontowana.
- ◆ Zdjąć szpulę i rozwinąć żyłkę a następnie nawinąć ją w sposób opisany powyżej. Postępując zgodnie z instrukcją zamontować szpulę z powrotem.

Konserwacja

Opisywane sieciowe/bezprzewodowe urządzenie/narzędzie Black & Decker zostało zaprojektowane tak, aby zapewnić długoletnią pracę przy minimalnej konieczności konserwacji. Długotrwałe zadowalające działanie urządzenia zależy od odpowiedniej dbałości o urządzenie i regularnego czyszczenia.

Uwaga! Przed przystąpieniem do konserwacji elektronarzędzi zasilanych przewodem zasilającym/akumulatorami należy:

- ◆ Wyłącz urządzenie i wyjmij wtyczkę z kontaktu.
- ◆ Lub wyłącz i odłącz akumulator od urządzenia, jeśli urządzenie jest wyposażone w oddzielny akumulator.
- ◆ Jeśli akumulator jest zintegrowany, należy go całkowicie rozładować a następnie wyłączyć urządzenie.
- ◆ Przed czyszczeniem wyjąć wtyczkę ładowarki z gniazda zasilającego. Ładowarka nie wymaga, oprócz okresowego czyszczenia, żadnej dodatkowej konserwacji.
- ◆ Okresowo czyścić otwory wentylacyjne narzędzia/urządzenia i ładowarki za pomocą miękkiej szczoteczki lub wilgotnej ściereczki.
- ◆ Regularnie czyść obudowę silnika wilgotną ściereczką. Nie używaj ściernych lub rozpuszczających środków czyszczących.

Ochrona środowiska



Selektywna zbiórka odpadów. Opisowywanego produktu nie wolno utylizować razem ze zwykłymi śmieciami z gospodarstw domowych.

Gdy okaże się, że konieczna jest wymiana posiadanego narzędzia Black & Decker lub nie będzie się go więcej używać, nie należy wyrzucać go razem ze śmieciami z gospodarstwa domowego. Należy przekazać produkt do punktu selektywnej zbiórki odpadów.



Selektywna zbiórka zużytych produktów i opakowań pozwala na powtórne wykorzystanie użytych materiałów. Powtórne użycie materiałów pomaga chronić środowisko naturalne przed zanieczyszczeniem i zmniejsza zapotrzebowanie na surowce.

Lokalne prawodawstwo może zapewniać możliwość selektywnej zbiórki zużytych sprzętów elektrycznych, poprzez pozostawienie ich w punktach na miejskich wysypiskach śmieci lub u sprzedawcy, przy zakupie nowego sprzętu.

Black & Decker zapewnia możliwość zbiórki i recyklingu swoich produktów po zakończeniu okresu eksploatacji. Aby skorzystać z tej możliwości, prosimy zwrócić się do jednego z Autoryzowanych Przedstawicieli Serwisowych, który odbierze je od Państwa w naszym imieniu.

Adres najbliższego autoryzowanego przedstawiciela serwisowego otrzymają Państwo kontaktując się z miejscowym biurem Black & Decker, którego adres podany jest w niniejszej instrukcji obsługi. Lista autoryzowanych przedstawicieli serwisowych oraz informacje na temat naszego serwisu posprzedażnego dostępne są również na stronie internetowej: www.2helpU.com

Dane techniczne

| | | GL250 | GL310 | GL360 |
|-------------------------|------------|-------|-------|-------|
| | | Typ 1 | Typ 1 | Typ 1 |
| Napięcie zasilania | V_{AC} | 230 | 230 | 230 |
| Pobór mocy | W | 250 | 300 | 350 |
| Szybkość bez obciążenia | min^{-1} | 11500 | 11500 | 11500 |
| Masa | kg | 1,3 | 1,6 | 1,6 |

Wibracje przenoszone na dłoń/ramię według normy EN 786: = 7,5 m/s^2 , niepewność (K) = 1,5 m/s^2 .

L_{PA} (moc akustyczna) 80 dB(A), niepewność (K) 1,5 dB(A)

Deklaracja zgodności UE

DYREKTYWA MASZYNOWA
DYREKTYWA DOTYCZĄCA HAŁASU NA
ZEWNĄTRZ



GL250/GL310/GL360

Firma Black & Decker oświadcza, że „dane techniczne“ opisywanych produktów spełniają wymagania norm: 2006/42/EC, EN 60335-1, EN 60335-2-91

2000/14/EC, kosiarka do trawy , $L \leq 50$ cm,
załącznik VIII

KEMA Quality B.V., Utrechtseweg 310, 6802 ED
Arnhem, Holandia

Numer identyfikacyjny korpusu: 0344

Poziom mocy akustycznej zgodnie z 2000/14/EC

(Artykuł 12, Załącznik III, $L \leq 50$ cm):

L_{WA} (pomiar mocy akustycznej) 94 dB(A)
niepewność (K) = 1,5 dB(A)

L_{WA} (nominalny poziom mocy akustycznej)
96 dB(A)
niepewność (K) = 1,5 dB(A)

Produkty te są również zgodne z zapisami Dyrektywy 2004/108/EC. Aby otrzymać więcej informacji, należy skontaktować się z firmą Black & Decker pod adresem podanym poniżej lub na końcu instrukcji. Osoba niżej podpisana odpowiedzialna jest za zestawienie informacji technicznych i złożenie deklaracji zgodności w imieniu firmy Black & Decker.

Kevin Hewitt
Vice-President
Global Engineering
Black & Decker Europe,
210 Bath Road, Slough,
Berkshire, SL1 3YD
Wielka Brytania
25.10.2010

Black & Decker

WARUNKI GWARANCJI:

Produkty marki Black & Decker reprezentują bardzo wysoką jakość, dlatego oferujemy dla nich korzystne warunki gwarancyjne. Niniejsze warunki gwarancji nie pomniejszają praw klienta wynikających z polskich regulacji ustawowych lecz są ich uzupełnieniem. Gwarancja jest ważna na terenie Rzeczypospolitej Polskiej. Black & Decker gwarantuje sprawne działanie produktu w przypadku postępowania zgodnego z warunkami techniczno-eksploatacyjnymi opisanymi w instrukcji obsługi.

Niniejszą gwarancją nie jest objęte dodatkowe wyposażenie, jeżeli nie została do niego dołączona oddzielna karta gwarancyjna oraz elementy wyrobu podlegające naturalnemu zużyciu.

1. Niniejszą gwarancją objęte są usterki produktu spowodowane wadami produkcyjnymi i wadami materiałowymi.
2. Niniejsza gwarancja jest ważna po przedstawieniu przez Klienta w Centralnym Serwisie Gwarancyjnym reklamowanego produktu oraz łącznie:
 - a) poprawnie wypełnionej karty gwarancyjnej;
 - b) ważnego paragonu zakupu z datą sprzedaży taką, jak w karcie gwarancyjnej lub kopii faktury.
3. Gwarancja obejmuje bezpłatną naprawę urządzenia (wraz z bezpłatną wymianą uszkodzonych części) w okresie 24 miesięcy od daty zakupu.
4. Produkt reklamowany musi być:
 - a) dostarczony bezpośrednio do Centralnego Serwisu Gwarancyjnego wraz z poprawnie wypełnioną Kartą Gwarancyjną i ważnym paragonem zakupu (lub kopią faktury) oraz szczegółowym opisem uszkodzenia, lub
 - b) przesłany do Centralnego Serwisu Gwarancyjnego za pośrednictwem punktu sprzedaży wraz z dokumentami wymienionymi powyżej.
5. Koszty wysyłki do Centralnego Serwisu Gwarancyjnego ponosi Serwis. Wszelkie koszty związane z zapewnieniem bezpiecznego opakowania, ubezpieczeniem i innym ryzykiem ponosi Klient. W przypadku odrzucenia roszczenia gwarancyjnego, produkt jest odsyłany do miejsca nadania na koszt adresata.
6. Usterki ujawnione w okresie gwarancji będą usunięte przez Centralny Serwis Gwarancyjny w terminie:
 - a) 14 dni roboczych od daty przyjęcia produktu przez Centralny Serwis Gwarancyjny;
 - b) termin usunięcia wady (punkt 6a) może być wydłużony o czas niezbędny do importu niezbędnych części zamiennych.
7. Klient otrzyma nowy sprzęt, jeżeli:
 - a) Centralny Serwis Gwarancyjny stwierdzi na piśmie, że usunięcie wady jest niemożliwe;
 - b) produkt nie podlega naprawie, tylko wymianie bez dokonywania naprawy.
8. O ile taki sam produkt jest nieosiągalny, może być wydany nowy produkt o nie gorszych parametrach.
9. Decyzja Centralnego Serwisu Gwarancyjnego odnośnie zasadności zgłaszanych usterek jest decyzją ostateczną.
10. Gwarancją nie są objęte:
 - a) wadliwe działanie lub uszkodzenia spowodowane niewłaściwym użytkowaniem lub używaniem produktu niezgodnie z przeznaczeniem, instrukcją obsługi lub przepisami bezpieczeństwa. W szczególności profesjonalne użytkowanie amatorskich narzędzi Black & Decker powoduje utratę gwarancji;
 - b) wadliwe działanie lub uszkodzenia spowodowane przeciążaniem narzędzia, które prowadzi do uszkodzeń silnika, przekładni lub innych elementów a także stosowaniem osprzętu innego niż zalecany przez Black & Decker;
 - c) mechaniczne uszkodzenia produktu i wywołane nimi wady;
 - d) wadliwe działanie lub uszkodzenia na skutek działania pożaru, powodzi, czy też innych klęsk żywiołowych, nieprzewidzianych wypadków, korozji, normalnego zużycia w eksploatacji czy też innych czynników zewnętrznych;
 - e) produkty, w których naruszone zostały plomby gwarancyjne lub, które były naprawiane poza Centralnym Serwisem Gwarancyjnym lub były przerabiane w jakikolwiek sposób;
 - f) osprzęt eksploatacyjny dołączony do urządzenia oraz elementy ulegające naturalnemu zużyciu.
11. Centralny Serwis Gwarancyjny, firmy handlowe, które sprzedały produkt, nie udzielają upoważnień ani gwarancji innych niż określone w karcie gwarancyjnej. W szczególności nie obejmują prawa klienta do domagania się zwrotu utraconych zysków w związku z uszkodzeniem produktu.
12. Gwarancja nie wyłącza, nie ogranicza ani nie zawiesza uprawnień kupującego wynikających z niezgodności towaru z umową.

Centralny Serwis Gwarancyjny ERPATECH
ul. Bakaliowa 26, 05-080 Mościska
tel.: (22) 862-08-08, (22) 431-05-05
faks: (22) 862-08-09

Použitie výrobku

Vaša strunová kosačka Black & Decker je určená na kosenie a úpravu okrajov trávnikov a na kosenie trávy na zle prístupných miestach. Tento výrobok je určený iba na spotrebiteľské použitie.

Bezpečnostné pokyny

Varovanie! Pri použití elektrického náradia napájaného káblom by sa mali vždy dodržiavať základné bezpečnostné pokyny, vrátane nasledujúcich, aby ste znížili riziko vzniku požiaru, riziko úrazu elektrickým prúdom alebo iného poranenia a materiálnych škôd.

Varovanie! Pri použití tohto stroja sa musia dodržiavať základné bezpečnostné pokyny. Z dôvodu Vašej vlastnej bezpečnosti aj bezpečnosti ostatných osôb si, prosím, pred použitím stroja prečítajte tieto pokyny. Uschovajte, prosím, tieto pokyny pre neskoršie možné použitie.

- ◆ Pred použitím výrobku si pozorne prečítajte celý tento návod.
- ◆ Určené použitie tohto výrobku je opísané v tomto návode. Použitie iného príslušenstva alebo prídavného zariadenia a vykonávanie iných pracovných operácií, než je odporúčané týmto návodom, môže spôsobiť poranenie obsluhy.
- ◆ Uschovajte tento návod na prípadné ďalšie použitie.

Použitie výrobku

Pri použití tohto výrobku buďte vždy opatrní.

- ◆ Vždy používajte ochranné okuliare alebo inú vhodnú ochranu zraku.
- ◆ Nikdy nedovoľte, aby s týmto výrobkom pracovali deti alebo osoby, ktoré nie sú oboznámené s týmito pokynmi.
- ◆ Nedovoľte deťom, ostatným osobám alebo zvieratám, aby sa dostali do blízkosti pracovného priestoru alebo sa dotýkali zariadenia a prívodného kábla.
- ◆ Ak sa zariadenie používa v blízkosti detí, je nevyhnutné zaistenie prísneho dohľadu.
- ◆ Toto náradie nie je určené na použitie neplnoletými alebo neskúsenými osobami bez dozoru.
- ◆ Tento výrobok sa nesmie používať ako hračka.
- ◆ Používajte tento výrobok iba za denného svetla alebo pri kvalitnom umelom osvetlení.
- ◆ Používajte tento výrobok iba v suchom prostredí. Zabráňte tomu, aby sa výrobok dostal do vlhkého prostredia.
- ◆ Neponárajte tento výrobok do vody.
- ◆ Nepokúšajte sa tento výrobok demontovať. Vnútri sa nenachádzajú žiadne opraviteľné časti.

- ◆ Nepoužívajte tento výrobok v prostrediach s výbušnou atmosférou, v ktorých sa vyskytujú horľavé kvapaliny, plyny alebo prachové zmesi.
- ◆ Ak chcete znížiť riziko poškodenia zástrčky a prívodného kábla, nikdy neťahajte za kábel, ak chcete uvoľniť zástrčku zo zásuvky.

Bezpečnosť ostatných osôb

- ◆ Tento výrobok nie je určený na použitie osobami (vrátane detí) so zníženými fyzickými, zmyslovými alebo duševnými schopnosťami, alebo s nedostatkom skúseností a znalostí, ak týmto osobám nebol stanovený dohľad, alebo ak im neboli poskytnuté inštrukcie týkajúce sa použitia výrobku osobou zodpovednou za ich bezpečnosť.
- ◆ Deti musia byť pod dozorom, aby sa s náradím nehrali.

Zvyškové riziká

Ak sa náradie používa iným spôsobom, než je uvedené v priložených bezpečnostných varovaniach, môžu sa objaviť dodatočné zvyškové riziká. Tieto riziká môžu vzniknúť v dôsledku nesprávneho použitia, dlhodobého použitia atď.

Napriek tomu, že sa dodržiavajú príslušné bezpečnostné predpisy a používajú sa bezpečnostné zariadenia, určité zvyškové riziká sa nemôžu vylúčiť. Tieto riziká sú nasledujúce:

- ◆ **Zranenia spôsobené kontaktom s akoukoľvek rotujúcou alebo pohybujúcou sa časťou.**
- ◆ **Zranenia spôsobené pri výmene dielov, pracovného nástroja alebo príslušenstva.**
- ◆ **Zranenia spôsobené dlhodobým použitím náradia. Ak používate akékoľvek náradie dlhší čas, zaistite, aby sa robili pravidelné prestávky.**
- ◆ **Poškodenie sluchu.**
- ◆ **Zdravotné riziká spôsobené vdychovaním prachu vytváraného pri použití náradia (príklad: - práca s drevom, najmä s dubovým, bukovým a MDF).**

Po použití

- ◆ Ak sa výrobok nepoužíva, mal by byť uložený na suchom a dobre odvetrávanom mieste, mimo dosahu detí.
- ◆ Uložené náradie musí byť vhodne zabezpečené pred deťmi.
- ◆ Ak je náradie uložené alebo prepravované vo vozidle, malo by byť umiestnené v kufrí alebo zaistené tak, aby sa zabránilo jeho pohybu pri náhlych zmenách rýchlosti alebo smeru jazdy.

Kontroly a opravy

- ◆ Pred použitím vždy skontrolujte, či nie je náradie poškodené alebo či nemá chybné časti. Uistite sa, či nie sú jeho časti rozbité a skontrolujte všetky ostatné funkcie, ktoré by mohli ovplyvniť jeho prevádzku.
- ◆ Nepoužívajte toto náradie, ak je akákoľvek jeho časť poškodená.
- ◆ Poškodené a zničené diely nechajte opraviť či vymeniť v autorizovanom servisnom stredisku.
- ◆ Nikdy sa nepokúšajte demontovať alebo vymeniť iné diely než tie, ktoré sú uvedené v tomto návode.

Použitie predlžovacieho kábla

Vždy používajte schválený typ predlžovacieho kábla, ktorý je vhodný pre príkon tohto náradia (pozrite technické údaje). Predlžovací kábel musí byť vhodný na vonkajšie použitie a musí byť tiež tak označený. Môže byť použitý predlžovací kábel HO5VV-F s dĺžkou až 30 m a s prierezom vodiča 1,5 mm² bez toho, aby dochádzalo k výkonovým stratám pri prevádzke náradia. Pred použitím predlžovací kábel riadne prezrite, či nie je poškodený alebo opotrebovaný. Ak je predlžovací kábel poškodený, vymeňte ho. V prípade použitia navinovacieho kábla odviňte vždy celú dĺžku kábla.

Doplňujúce bezpečnostné pokyny pre strunové kosačky

Varovanie! Po vypnutí motora sa bude struna kosačky ešte chvíľu otáčať.

- ◆ Oboznámte sa s ovládacími prvkami a so správnym použitím náradia.
- ◆ Pred použitím riadne prezrite prívodný kábel, či nie je poškodený alebo opotrebovaný. Ak dôjde počas práce k poškodeniu prívodného kábla, okamžite náradie vypnite a odpojte od elektrickej zásuvky. **NEDOTÝKAJTE SA PRÍVODNÉHO KÁBLA, SKÔR AKO BUDE ODPOJENÝ.**
- ◆ Ak je prívodný kábel poškodený alebo opotrebovaný, náradie nepoužívajte.
- ◆ Obujte si pevné topánky alebo čižmy, aby boli Vaše chodidlá chránené.
- ◆ Noste dlhé nohavice, aby ste si chránili nohy.
- ◆ Pred použitím náradia skontrolujte, či je priestor, v ktorom budete kosiť, zbavený vetvičiek, kameňov, drôtov a iných prekážok.
- ◆ Používajte náradie iba vo zvislej polohe s kosačou strunou tesne nad zemou. Nikdy nezapínajte náradie v inej polohe.
- ◆ Pri práci s týmto náradím sa pohybujte pomaly. Uvedomte si, že čerstvo pokosená tráva je klzká a vlhká.

- ◆ Nepracujte na príkrych svahoch. Na svahoch pracujte po vrstevniciach, nikdy nie smerom hore a dole.
- ◆ Ak je náradie v chode, nikdy neprechádzajte cez štrkové chodníky alebo cesty.
- ◆ Nikdy sa nedotýkajte struny, ak je náradie v chode.
- ◆ Nekladte náradie na zem, kým sa struna celkom nezastaví.
- ◆ Používajte iba zodpovedajúci typ struny. Nikdy nepoužívajte kovovú strunu alebo rybársky vlasec.
- ◆ Dávajte pozor, aby ste sa nedotkli struny kosačky.
- ◆ Dávajte pozor, aby sa prívodný kábel nedostal do blízkosti struny. Stále sledujte polohu prívodného kábla.
- ◆ Udržujte ruky a nohy trvale mimo dosahu struny, a to najmä pri zapínaní motora.
- ◆ Pred použitím náradia a po každom náraze náradie skontrolujte, či nedošlo k jeho poškodeniu a či nie je nutné vykonanie opravy.
- ◆ Nikdy nepoužívajte náradie s poškodenými ochrannými krytmi alebo bez riadne nasadených ochranných krytov.
- ◆ Dávajte pozor, aby ste sa nezranili o zariadenie, ktoré upravuje dĺžku struny. Po vysunutí novej struny náradie pred spustením vždy nastavte do jeho obvyklej pracovnej polohy.
- ◆ Zaistite, aby boli vetracie drážky na náradí stále čisté a priechodné.
- ◆ Ak je prívodný kábel poškodený alebo opotrebovaný, strunovú kosačku (vyžínač trávy) nepoužívajte.
- ◆ Dbajte na to, aby sa predlžovacie prívodné káble nedostali do blízkosti struny.

Štítky na náradí

Na náradí je možné nájsť nasledujúce varovné symboly:



Pred začatím obsluhy si riadne preštudujte tento návod.



Pri práci s týmto náradím používajte ochranné okuliare.



Pri práci s týmto náradím používajte vhodnú ochranu sluchu.



Pred kontrolou poškodeného prívodného kábla vždy odpojte zástrčku kábla od sieťovej zásuvky. Ak je kábel poškodený, zaistite, aby sa kosačka nepoužívala.



Dávajte pozor na odlietavajúce úlomky. Udržujte okolostojace osoby v bezpečnej vzdialenosti od priestoru kosenia.



Nevystavujte náradie dažďu alebo prostrediu s vysokou vlhkosťou.



Smernica 2000/14/EC – zaručená hodnota akustického výkonu.

Elektrická bezpečnosť



Toto náradie je chránené dvojistou izoláciou. Preto nie je nutné použitie uzemňovacieho vodiča. Vždy skontrolujte, či napájacie napätie zodpovedá napätiu na výkonovom štítiku.

- ♦ Ak je poškodený prívodný kábel, musí ho vymeniť výrobca alebo autorizovaný servis Black & Decker, aby sa zabránilo možným rizikám.
- ♦ Elektrická bezpečnosť môže byť ďalej zvýšená použitím prúdového chrániča (RCD) s vysokou citlivosťou 30 mA.

Popis

Toto náradie sa skladá z niektorých alebo so všetkých nasledujúcich častí.

1. Hlavný vypínač (Zapnuté/Vypnuté)
2. Rukoväť
3. Príchytká kábla
4. Napájací prívod
5. Druhá rukoväť
6. Ochranný kryt
7. Odrezávací nôž struny
8. Struna
9. Puzdro cievky
10. Hlava

Zostavenie

Varovanie! Pred montážou sa uistite, či je náradie vypnuté a či je prívodný kábel odpojený od zásuvky.

Prípevnenie druhej rukoväti (obr. A) (iba GL310 a GL360)

- ♦ Nasuňte druhú rukoväť (5) na hlavnú rukoväť (2) smerom hore.
- ♦ Prípevnite druhú rukoväť na svojom mieste pomocou dvoch dodaných skrutiek.

Prípevnenie ochranného krytu (obr. B)

- ♦ Nasadte na náradie kryt ako na uvedenom obrázku.
- ♦ Ochranný kryt (6) riadne pritlačte, aby došlo k jeho riadnemu usadeniu.

- ♦ Zaistite ochranný kryt skrutkou.

Varovanie! Bez riadne uchyteného ochranného krytu so zariadením nikdy nepracujte.

Uvoľnenie struny

Počas prepravy je struna k cievke prichytená páskou.

- ♦ Odstráňte pásku, ktorou je struna (8) prichytená ku krytu cievky (9).

Prípojenie náradia k elektrickej sieti (obr. C)

- ♦ Pripojte koncovku vhodného prívodného kábla k napájacemu prívodu (4).
- ♦ Zaveste prívodný kábel na príchytku kábla (3).
- ♦ Zasuňte zástrčku kábla do sieťovej zásuvky.

Pre vedenie kábla: Pred pripojením zástrčky k elektrickej sieti sa uistite, či je kábel uchytený v príchytku kábla.

Varovanie! Predlžovací kábel musí byť vhodný na vonkajšie použitie.

Použitie

Varovanie! Nechajte náradie pracovať jeho vlastným tempom. Zamedzte preťažovaniu náradia.

Zapnutie a vypnutie

- ♦ Ak chcete náradie zapnúť, stlačte hlavný vypínač (1).
 - ♦ Náradie vypnete uvoľnením hlavného vypínača.
- Varovanie!** Nikdy sa nepokúšajte zaistiť hlavný vypínač v polohe zapnuté.

Rady na optimálne použitie

Všeobecné

- ♦ Ak chcete dosiahnuť optimálne výsledky, koste iba suchú trávu.

Kosenie

- ♦ Držte náradie ako na uvedenom obr. D.
- ♦ Ľahko natáčajte kosačku zo strany na stranu.
- ♦ Ak kosíte vysokú trávu, pracujte po častiach odhora nadol. Koste trávu po malých kúskoch.
- ♦ Udržujte náradie v bezpečnej vzdialenosti od tvrdých predmetov a chúlolistivých rastlín.
- ♦ Ak kosíte pozdĺž chodníkov a iných hrubých povrchov alebo ak kosíte hrubší porast, struna sa bude opotrebovať rýchlejšie a bude vyžadovať častejší posuv.
- ♦ Počas použitia strunovej kosačky sa bude struna vplyvom opotrebovania skracovať. Počas kosenia ľahko kliknite kosačkou o zem a struna sa vysunie.
- ♦ Ak náradie spomalí chod, znížte jeho zaťaženie.

Montáž novej cievky so strunou (obr. E – F)

Náhradné cievky so strunou získate u autorizovaného predajcu Black & Decker (kat. č. A6226).

- ◆ Držte stlačené výstupky (12) a odoberte kryt (13) z puzdra cievky (9).
- ◆ Vyberte prázdnu cievku (14) z puzdra.
- ◆ Z krytu a puzdra cievky odstráňte zachytené nečistoty a zvyšky trávy.
- ◆ Pripravte si novú cievku a odviňte z nej asi 10 cm struny.
- ◆ Pretiahnite strunu okom (15).
- ◆ Zatlačte cievku na hnací hriadeľ (16) a pootočte ňou tak, aby bola riadne usadená. Uistite sa, či nie je struna pod cievkou zovretá a či vyčnieva z puzdra v dĺžke zhruba 10 cm.
- ◆ Zarovnajete výstupky (12) na kryte cievky s otvorami na puzdre (15).
- ◆ Zatlačte kryt na puzdro cievky tak, aby došlo k jeho riadnemu usadeniu.

Varovanie! Ak prečnieva struna cez odrezávací nôž (7), skráťte ju tak, aby po tento nôž iba dosahovala.

Navinutie novej struny na prázdnu cievku (obr. G – I)

Na prázdnu cievku môžete navinúť novú strunu. Náhradné balenie struny získate u autorizovaného predajcu Black & Decker (kat. č. A6170 (25 m), A6046 (37,5 m) a A6171 (40 m)).

- ◆ Podľa vyššie uvedeného postupu vyberte z náradia prázdnu cievku.
- ◆ Odstráňte z cievky zvyšok struny.
- ◆ Jedným z otvorov cievky (17) pretiahnite 2 cm struny, ako na uvedenom obrázku.
- ◆ Naviňte strunu na cievku v smere označenom šípkou (18). Dajte pozor, aby bola struna navinutá na cievku úhľadne a vo vrstvách. Neprekrižujte ju.
- ◆ Strunu nechajte z cievky vyčnievať približne 10 cm a prstom ju pridržiňte na mieste.
- ◆ Uložte cievku do náradia podľa vyššie uvedeného postupu.

Varovanie! Používajte iba vhodnú strunu Black & Decker.

Výmena sieťovej zástrčky (iba pre Veľkú Britániu a Írsko)

Ak budete inštalovať novú zástrčku prírodného kábla:

- ◆ Zaistite ekologickú likvidáciu starej zástrčky.
- ◆ Pripojte hnedý vodič k svorke pod napätím na novej zástrčke.
- ◆ Modrý vodič pripojte k nulovej svorke.

Varovanie! Na uzemňovaciu svorku nebude pripojený žiadny vodič. Dodržujte montážne pokyny

dodávané s kvalitnými zástrčkami. Odporúčaná poistka: 5 A.

Riešenie problémov

Ak sa Vám zdá, že náradie nepracuje správne, postupujte podľa nižšie uvedených pokynov. Ak nebude porucha odstránená, spojte sa s autorizovaným servisom Black & Decker.

Varovanie! Pred pokračovaním odpojte náradie od elektrickej siete.

Náradie pracuje v nízkych otáčkach

- ◆ Skontrolujte, či sa puzdro cievky môže voľne otáčať. Ak je to nutné, puzdro opatrne vyčistite.
- ◆ Skontrolujte, či struna nevyčnieva z puzdra cievky viac než 11 cm. Ak áno, narežte ju tak, aby dosahovala len k ostriu odrezávacieho noža struny.

Ak sa nedá posunúť strunu nárazom

- ◆ Držte stlačené výstupky a odoberte kryt cievky z puzdra.
- ◆ Povyťahnite strunu tak, aby vyčnievala z puzdra cievky 11 cm. Ak už nie je dostatočujúca dĺžka struny k dispozícii, vložte podľa vyššie uvedených pokynov do náradia novú cievku so strunou.
- ◆ Zarovnajete výstupky na kryte cievky s výrezmi na puzdre.
- ◆ Zatlačte kryt na puzdro cievky tak, aby došlo k jeho riadnemu usadeniu.
- ◆ Ak prečnieva struna cez odrezávací nôž, skráťte ju tak, aby po tento nôž iba dosahovala.

Ak posuv struny nárazom stále nepracuje alebo ak je cievka zablokovaná, vyskúšajte nasledujúce:

- ◆ Starostlivo očistite kryt a puzdro cievky.
- ◆ Vyberte cievku a skontrolujte, či je na svojom mieste pružina.
- ◆ Vyberte cievku a odviňte celú dĺžku struny. Potom ju podľa vyššie uvedeného postupu správne naviňte na cievku. Uložte cievku do puzdra podľa uvedeného postupu.

Údržba

Vaše náradie Black & Decker bolo skonštruované tak, aby pracovalo dlhý čas s minimálnymi nárokmi na údržbu. Riadna starostlivosť o výrobok/náradie a jeho pravidelné čistenie Vám zaistí jeho bezproblémový chod.

Varovanie! Pred akoukoľvek údržbou akumulátového elektrického náradia alebo náradia vybaveného prírodným káblom:

- ◆ Vypnite zariadenie/náradie a odpojte prírodný kábel od siete.

- ♦ Alebo zariadenie/náradie vypnite a vyberte z neho akumulátor, ak je zariadenie/náradie napájané odoberateľným akumulátorom.
- ♦ Alebo ak nie je možné akumulátor vybrať, nechajte náradie v chode, kým nedôjde k úplnému vybitiu akumulátora.
- ♦ Pred čistením nabíjačky odpojte nabíjačku od siete. Vaša nabíjačka nevyžaduje žiadnu údržbu okrem pravidelného čistenia.
- ♦ Vetracie otvory náradia a nabíjačky pravidelne čistite mäkkou kefou alebo suchou handričkou.
- ♦ Pomocou vlhkej handričky pravidelne čistite kryt motora. Nepoužívajte žiadne abrazívne čistiace prostriedky alebo rozpúšťadlá.

Ochrana životného prostredia



Triedte odpad. Tento výrobok sa nesmie vyhodiť do bežného domového odpadu.

Ak nebudete výrobok Black & Decker ďalej používať alebo ak si ho prajete nahradiť novým, nelikvidujte ho spolu s bežným komunálnym odpadom. Zlikvidujte tento výrobok v triedenom odpade.



Triedený odpad umožňuje recykláciu a opätovné využitie použitých výrobkov a obalových materiálov. Opätovné použitie recyklovaných materiálov pomáha chrániť životné prostredie pred znečistením a znižuje spotrebu surovín.

Pri kúpe nových výrobkov Vám predajne, miestne zberne odpadov alebo recyklačné stanice poskytnú informácie o správnej likvidácii elektro odpadov z domácnosti.

Spoločnosť Black & Decker poskytuje službu zberu a recyklácie výrobkov Black & Decker po skončení ich prevádzkovej životnosti. Ak chcete získať výhody tejto služby, odovzdajte, prosím, Váš výrobok ktorémukoľvek autorizovanému zástupcovi servisu, ktorý náradie odoberie a zaistí jeho recykláciu.

Miesto najbližšieho autorizovaného servisu Black & Decker nájdete na príslušnej adrese uvedenej v tomto návode. Zoznam autorizovaných servisov Black & Decker a podrobnosti o popredajnom servise nájdete aj na internetovej adrese: **www.2helpU.com**

Technické údaje

| | | GL250 | GL310 | GL360 |
|-------------------|-------------------|-------|-------|-------|
| | | Typ 1 | Typ 1 | Typ 1 |
| Napájacie napätie | V_{AC} | 230 | 230 | 230 |
| Príkon | W | 250 | 300 | 350 |
| Otáčky naprázdno | min^{-1} | 11500 | 11500 | 11500 |
| Hmotnosť | kg | 1,3 | 1,6 | 1,6 |

Vibrácie pôsobiace na ruky a paže obsluhy merané podľa normy EN 786: = 7,5 m/s^2 , odchýlka (K) = 1,5 m/s^2 .

L_{PA} (akustický výkon) 80 dB(A), odchýlka (K) = 1,5 dB(A)

ES Vyhlásenie o zhode v rámci EÚ

SMERNICA PRE STROJOVÉ ZARIADENIA
NARIADENIA TÝKAJÚCE SA VONKAJŠIEHO
HLUKU



GL250/GL310/GL360

Spoločnosť Black & Decker vyhlasuje, že tieto výrobky popisované v technických údajoch spĺňajú požiadavky nasledujúcich noriem: 2006/42/EC, EN 60335-1, EN 60335-2-91.

2000/14/EC, Kosačka trávnikov, L ≤ 50 cm,
príloha VIII

KEMA Quality B.V., Utrechtseweg 310, 6802 ED
Arnhem, Holandsko

Úradne stanovený orgán id. č.: 0344

Hladina akustického výkonu podľa normy
2000/14/EC

(článok 12, príloha III, L ≤ 50 cm):

L_{WA} (meraný akustický výkon) 94 dB(A)
odchýlka (K) = 1,5 dB(A)

L_{WA} (zaručený akustický výkon) 96 dB(A)
odchýlka (K) = 1,5 dB(A)

Tieto výrobky spĺňajú tiež požiadavky smernice 2004/108/EC. Ak chcete získať ďalšie informácie, kontaktujte, prosím, spoločnosť Black & Decker na tejto adrese alebo na adresách, ktoré sú uvedené na konci tohto návodu. Nižšie podpísaná osoba je zodpovedná za zostavenie technických údajov a vydáva toto vyhlásenie v zastúpení spoločnosti Black & Decker.

Kevin Hewitt
Viceprezident pre
spotrebiteľskú techniku
Black & Decker Europe,
210 Bath Road, Slough,
Berkshire, SL1 3YD
United Kingdom
25.10.2010

Záruka

Spoločnosť Black & Decker je presvedčená o kvalite svojich výrobkov a ponúka mimoriadnu záruku. Táto záruka je ponúkaná v prospech zákazníka a nijako neovplyvní jeho zákonné záručné práva. Táto záruka platí vo všetkých členských štátoch EÚ a Európskej zóny voľného obchodu EFTA.

Ak sa objavia na výrobku Black & Decker v priebehu 24 mesiacov od kúpy akékoľvek materiálové či výrobné chyby, spoločnosť Black & Decker garantuje v snahe o minimalizovanie Vašich starostí bezplatnú výmenu chybných dielov, opravu alebo výmenu celého výrobku za nižšie uvedených podmienok:

- ◆ Výrobok sa nepoužíval na obchodné alebo profesionálne účely a nedochádzalo k jeho prenájmu.
- ◆ Výrobok nebol vystavený nesprávnemu použitiu a nebola zanedbaná jeho predpísaná údržba.
- ◆ Výrobok nebol poškodený cudzím zavinením.
- ◆ Opravy nevykonávali iné osoby, než autorizovaní opravári alebo mechanici autorizovaného servisu Black & Decker.

Ak požadujete záručnú opravu, budete musieť predajcovi alebo zástupcovi autorizovaného servisu predložiť doklad o kúpe výrobku.

Miesto najbližšieho autorizovaného servisu Black & Decker nájdete na príslušnej adrese uvedenej v tomto návode. Zoznam autorizovaných servisov Black & Decker a podrobnosti o popredajnom servise nájdete aj na internetovej adrese: **www.2helpU.com**

Navštívte, prosím, našu internetovú stránku **www.blackanddecker.sk**, aby ste mohli zaregistrovať Váš nový výrobok Black & Decker a kde budete informovaní o našich nových výrobkoch a špeciálnych ponukách. Ďalšie informácie o značke Black & Decker a o celom rade našich ďalších výrobkov sú k dispozícii na adrese **www.blackanddecker.sk**

Назначение

Ваша cordовая газонокосилка Black & Decker предназначена для скашивания травы, обработки краев газона, а также для стрижки травы в труднодоступных местах. Данный инструмент предназначен только для бытового использования.

Инструкции по технике безопасности

Внимание! При использовании электрических инструментов соблюдение правил по технике безопасности и следование данным инструкциям позволит снизить вероятность возникновения пожара, поражения электрическим током, получения травм и повреждения личного имущества.

Внимание! При использовании инструмента соблюдайте правила безопасности. В целях обеспечения безопасности оператора и посторонних лиц, перед использованием инструмента прочтите данные инструкции. Сохраните данные инструкции для последующего использования.

- ◆ Перед использованием инструмента внимательно прочтите данное руководство по эксплуатации.
- ◆ Назначение инструмента описывается в данном руководстве по эксплуатации. Использование любых принадлежностей или приспособлений, а также выполнение данным инструментом любых видов работ, не рекомендованных данным руководством по эксплуатации, может привести к несчастному случаю.
- ◆ Сохраните данное руководство для последующего обращения к нему.

Использование инструмента

Всегда соблюдайте осторожность при работе с данным инструментом.

- ◆ Всегда работайте в защитных очках или маске.
- ◆ Не допускайте детей и любых лиц, не знакомых с данными правилами техники безопасности, к работе инструментом.
- ◆ Не позволяйте детям или животным находиться в рабочей зоне, дотрагиваться до инструмента или до электрического кабеля.
- ◆ Будьте особенно внимательны при использовании инструмента в присутствии детей.
- ◆ Использование инструмента детьми и неопытными лицами допускается только под контролем ответственного за их безопасность лица.

- ◆ Не используйте данный инструмент в качестве игрушки.
- ◆ Работайте инструментом только при дневном свете или в условиях хорошего искусственного освещения.
- ◆ Используйте инструмент только в сухих местах. Не подвергайте инструмент воздействию влаги.
- ◆ Не погружайте инструмент в воду.
- ◆ Не разбирайте корпус инструмента. Внутри нет обслуживаемых пользователем деталей.
- ◆ Не используйте инструмент, если есть опасность возгорания или взрыва, например, вблизи легко воспламеняющихся жидкостей, газов или пыли.
- ◆ Во избежание риска повреждения штепселей и электрических кабелей, никогда не тяните за кабель, чтобы отключить инструмент от штепсельной розетки.

Безопасность посторонних лиц

- ◆ Использование инструмента физически или умственно неполноценными людьми, а также детьми и неопытными лицами допускается только под контролем ответственного за их безопасность лица.
- ◆ Не позволяйте детям играть с инструментом.

Остаточные риски

При работе с данным инструментом возможно возникновение дополнительных остаточных рисков, которые не вошли в описанные здесь правила техники безопасности. Эти риски могут возникнуть при неправильном или продолжительном использовании изделия и т.п.

Несмотря на соблюдение соответствующих инструкций по технике безопасности и использование предохранительных устройств, некоторые остаточные риски невозможно полностью исключить. К ним относятся:

- ◆ **Травмы в результате касания вращающихся/двигающихся частей инструмента.**
- ◆ **Риск получения травмы во время смены деталей инструмента, ножей или насадок.**
- ◆ **Риск получения травмы, связанный с продолжительным использованием инструмента. При использовании инструмента в течение продолжительного периода времени делайте регулярные перерывы в работе.**
- ◆ **Ухудшение слуха.**
- ◆ **Ущерб здоровью в результате вдыхания пыли в процессе работы с инструмен-**

том (например, при распиле древесины, в особенности, дуба, бука и ДВП.)

После использования

- ◆ Храните не используемый инструмент в сухом, хорошо вентилируемом месте, недоступном для детей.
- ◆ Дети не должны иметь доступ к убранному на хранение инструментам.
- ◆ Во время хранения или перевозки инструмента в автомобиле, помещайте его в багажник или закрепляйте, чтобы исключить его перемещение при резком изменении скорости или направления движения.

Осмотр и ремонт

- ◆ Перед началом эксплуатации, всегда проверяйте исправность инструмента. Проверьте целостность деталей и любых других элементов инструмента, воздействующих на его работу.
- ◆ Не используйте инструмент, если повреждена или неисправна какая-либо его деталь.
- ◆ Ремонтируйте или заменяйте поврежденные или неисправные детали только в авторизованном сервисном центре Black & Decker.
- ◆ Ни в коем случае не снимайте и не заменяйте детали, за исключением деталей, указанных в данном руководстве по эксплуатации.

Использование удлинительного кабеля

Всегда используйте удлинительные кабели установленного образца, соответствующие входной мощности данного инструмента (см. раздел «Технические характеристики»). Удлинительный кабель должен быть пригоден для использования на открытом воздухе и иметь соответствующую маркировку. Использование удлинительного кабеля HO5VV-F длиной до 30 м и диаметром в поперечном сечении 1,5 мм² не снизит производительность инструмента. Перед использованием проверьте удлинительный кабель на наличие признаков повреждения, старения и износа. В случае обнаружения повреждений удлинительный кабель подлежит замене. При использовании кабельного барабана, всегда полностью разматывайте кабель.

Дополнительные правила безопасности при работе газонокосилками

Внимание! После выключения электродвигателя, режущий механизм некоторое время вращается по инерции.

- ◆ Изучите все средства управления инструментом и используйте его по назначению.

- ◆ Перед использованием инструмента внимательно проверьте сетевой и удлинительный кабели на отсутствие повреждений и старения и износа. В случае повреждения кабеля во время работы, немедленно выньте его вилку из штепсельной розетки. **НЕ ПРИКАСАЙТЕСЬ К КАБЕЛЮ, ПОКА ОН НЕ БУДЕТ ОТСОЕДИНЕН ОТ ЭЛЕКТРОСЕТИ.**
- ◆ Не используйте инструмент, если его кабели повреждены или изношены.
- ◆ Используйте для защиты Ваших ног крепкие, нескользящие ботинки или сапоги.
- ◆ Надевайте длинные брюки для защиты Ваших ног.
- ◆ Перед началом работы убедитесь, что в рабочей зоне нет палок, камней, проволоки и других предметов.
- ◆ Используйте газонокосилку только в вертикальном положении, с режущей леской возле поверхности земли. Ни в коем случае не включайте газонокосилку, если она находится в любом другом положении!
- ◆ Передвигайтесь во время работы с газонокосилкой только в медленном темпе. Помните, что свежескошенная трава влажная и скользкая.
- ◆ Не работайте на крутых склонах. Стригите траву поперек уклона, ни в коем случае не сверху вниз!
- ◆ Ни в коем случае не пересекайте гравийные тропинки и дорожки при работающей газонокосилке!
- ◆ Ни в коем случае не касайтесь режущей лески при работающей газонокосилке!
- ◆ Не кладите на землю газонокосилку до момента, пока режущая леска полностью не остановится.
- ◆ Используйте режущую леску, рекомендованную изготовителем газонокосилки. Ни в коем случае не используйте металлические режущие нити или рыболовную леску!
- ◆ Будьте внимательны, чтобы случайно не коснуться отсекающего режущей лески!
- ◆ Направляйте электрический кабель в сторону от режущей лески. Постоянно следите за положением кабеля.
- ◆ Следите, чтобы Ваши руки и ноги постоянно находились на безопасном расстоянии от режущего механизма, особенно при включении электродвигателя.
- ◆ Перед использованием инструмента и по окончании работы проверяйте его на наличие признаков старения или повреждений; в случае необходимости сдайте инструмент в ремонт.

- ◆ Ни в коем случае не используйте газонокосилку с поврежденными защитными кожухами, а также без установленных защитных кожухов.
- ◆ Будьте осторожны при работе с любыми инструментами, оснащенными режущей леской; невнимательность может привести к получению травмы. После того, как будет вытянута новая режущая леска, верните инструмент в его нормальное рабочее положение и только тогда включайте инструмент.
- ◆ Следите, чтобы вентиляционные прорези электродвигателя всегда оставались открытыми и чистыми.
- ◆ Не используйте газонокосилку, если кабели повреждены или изношены.
- ◆ Направляйте удлинительный кабель в сторону от режущего корда.

Маркировка инструмента

На инструменте имеются следующие знаки:



Перед работой прочтите полностью данное руководство по эксплуатации.



При работе данным инструментом надевайте защитные очки или маску.



При работе с инструментом используйте средства защиты органов слуха.



Перед осмотром поврежденного кабеля всегда вынимайте вилку кабеля из розетки электросети. Не используйте газонокосилку, если ее кабель поврежден.



Остерегайтесь разлетающихся предметов. Следите, чтобы в зоне работы не было посторонних лиц.



Не используйте инструмент под дождем или во влажной среде.



Гарантированная акустическая мощность в соответствии с Директивой 2000/14/ЕС.

Электробезопасность



Данный инструмент защищен двойной изоляцией, исключая потребность в заземляющем проводе. Следите за напряжением электрической сети, оно должно соответствовать величине, обозначенной на информационной табличке инструмента.

- ◆ Во избежание несчастного случая, замена поврежденного кабеля питания должна производиться только на заводе-изготовителе или в авторизованном сервисном центре Black & Decker.
- ◆ Электробезопасность может быть повышена при использовании высокочувствительного 30 мА устройства защитного отключения (УЗО).

Составные части

Ваш инструмент может содержать все или некоторые из перечисленных ниже составных частей:

1. Клавиша пускового выключателя
2. Основная рукоятка
3. Кабельный зажим
4. Соединительный элемент входа электропитания
5. Дополнительная рукоятка
6. Защитный кожух
7. Отсекатель режущей лески
8. Режущая леска
9. Корпус катушки
10. Головка

Сборка

Внимание! Перед началом сборки убедитесь, что инструмент выключен и отсоединен от электросети.

Установка дополнительной рукоятки (Рис. А) (только для GL310 и GL360)

- ◆ Движением снизу вверх надвиньте дополнительную рукоятку (5) на основную рукоятку (2).
- ◆ Закрепите дополнительную рукоятку на месте при помощи двух винтов, входящих в комплект поставки.

Установка защитного кожуха (Рис. В)

- ◆ Установите защитный кожух на инструмент, как показано на рисунке.
- ◆ Нажмите на защитный кожух (6), до ощутимой фиксации.
- ◆ Закрепите защитный кожух винтом.

Внимание! Используйте газонокосилку только с правильно установленным защитным кожухом.

Подготовка режущей лески

При поставке режущая леска прикреплена к корпусу катушки клейкой лентой.

- ◆ Удалите клейкую ленту, которой режущая леска (8) прикреплена к корпусу катушки (9).

Подключение газонокосилки к электросети (Рис. С)

- ◆ Вставьте штепсельную розетку подходящего удлинительного кабеля в соединительный элемент (4) силового входа газонокосилки.
- ◆ Направьте удлинительный кабель через кабельный зажим (3).
- ◆ Вставьте вилку удлинительного кабеля в штепсельную розетку электросети.

Для исключения случайного разъединения штепсельного разъема под воздействием растягивающего усилия, каждый раз перед подключением инструмента к штепсельной розетке проследите, чтобы удлинительный кабель проходил через кабельный зажим.

Внимание! Удлинительный кабель должен быть пригоден для эксплуатации на открытом воздухе.

Эксплуатация

Внимание! Не форсируйте рабочий процесс. Избегайте перегрузки инструмента.

Включение и выключение

- ◆ Чтобы включить инструмент, нажмите на клавишу пускового выключателя (1).
- ◆ Чтобы выключить инструмент, отпустите клавишу пускового выключателя.

Внимание! Ни в коем случае не пытайтесь заблокировать клавишу пускового выключателя во включенном положении!

Рекомендации по оптимальному использованию

Общие требования

- ◆ Для достижения наилучших результатов, срезайте только сухую траву.

Стрижка газона

- ◆ Держите инструмент, как показано на рис. D.
- ◆ Плавно ведите газонокосилку из стороны в сторону.
- ◆ Высокую траву стригите постепенно, небольшими слоями, начиная сверху. Стригите небольшими слоями.
- ◆ Избегайте контакта инструмента с твердыми предметами и нежными растениями.
- ◆ При стрижке травы вдоль тротуаров и других абразивных поверхностей, а также при срезании сорняков на толстых стеблях, режущая леска быстрее придет в негодность и потребуются более частая ее подача.

- ◆ Во время эксплуатации газонокосилки леска будет изнашиваться и укорачиваться. Для осуществления подачи новой лески осторожно ударьте работающую газонокосилку о землю.
- ◆ Если инструмент снизил темп работы, уменьшите нагрузку.

Установка новой катушки с режущей леской (Рис. E - F)

Новые катушки с режущей леской можно приобрести у Вашего дилера Black & Decker (№ для заказа A6226).

- ◆ Удерживая язычки (12) нажатыми, снимите крышку (13) с корпуса катушки (9).
- ◆ Извлеките пустую катушку (14) из корпуса.
- ◆ Удалите всю грязь и обрезки травы с крышки катушки и из корпуса.
- ◆ Отмотайте от новой катушки приблизительно 10 см режущей лески.
- ◆ Направьте режущую леску через отверстие (15).
- ◆ Наденьте новую катушку на стержень (16) корпуса и слегка поверните катушку, до осязаемой фиксации. Убедитесь, что режущая леска на катушке не запутана, и что она выступает из корпуса на 10 см.
- ◆ Совместите язычки (12) крышки с вырезами в корпусе (15) катушки.
- ◆ Надавите на крышку и прижмите ее к корпусу, пока она не встанет на свое место.

Внимание! Если режущая леска выступает за отсекающий (7), обрежьте леску, чтобы она доходила только до отсекающего.

Наматывание новой режущей лески на пустую катушку (Рис. G - I)

Вы можете намотать на пустую катушку новую режущую леску. Мотки режущей лески можно приобрести у Вашего дилера Black & Decker (№№ для заказа A6170 (25 м), A6046 (37,5 м) и A6171 (40 м)).

- ◆ Извлеките пустую катушку из инструмента, как было описано выше.
- ◆ Удалите с катушки всю оставшуюся леску.
- ◆ Направьте 2 см режущей лески в одно из отверстий (17) катушки, как показано на рисунке.
- ◆ Наматывайте режущую леску на катушку в направлении указательной стрелки (18). Следите, чтобы режущая леска наматывалась ровными, аккуратными слоями. Не наматывайте леску крест-накрест!

- ◆ Отмотайте приблизительно 10 см режущей лески и удерживайте ее пальцем в этом положении.
- ◆ Установите катушку на инструмент, как было описано выше.

Внимание! Используйте только оригинальную режущую леску Black & Decker.

Возможные неисправности и способы их устранения

В случае возникновения нарушений в работе инструмента, выполняйте приведенные ниже указания. Если неисправность своими силами устранить не удастся, обратитесь в авторизованный сервисный центр Black & Decker.

Внимание! Прежде чем приступить к устранению неисправностей, отключите инструмент от источника питания.

Газонокосилка работает медленно

- ◆ Убедитесь, что корпус катушки вращается свободно. При необходимости тщательно его очистите.
- ◆ Убедитесь, что длина выступающей из корпуса катушки режущей лески не превышает 11 см. При необходимости обрежьте ее, чтобы она доходила только до отсекателя.

Ударный механизм подачи лески не работает

- ◆ Удерживая язычки нажатыми, снимите крышку с корпуса катушки.
- ◆ Вытяните режущую леску на 11 см из корпуса катушки. Если режущей лески на катушке недостаточно, вставьте новую катушку с леской, как описано выше.
- ◆ Совместите язычки крышки катушки с вырезами в корпусе.
- ◆ Надавите на крышку и прижмите ее к корпусу, пока она не встанет на свое место.
- ◆ Если режущая леска выступает за отсекаТЕЛЬ, обрежьте леску, чтобы она доходила только до отсекателя.

Если подача режущей лески все же не производится или заклинило катушку, попробуйте поступить следующим образом:

- ◆ Тщательно очистите крышку и корпус катушки.
- ◆ Извлеките катушку и проверьте, что пружина находится на месте.
- ◆ Извлеките катушку и размотайте режущую леску; затем снова аккуратно намотайте леску, как было описано выше. Установите катушку на свое место, как описано выше.

Техническое обслуживание

Ваше электрический/аккумуляторный инструмент Black & Decker рассчитан на работу в течение продолжительного времени при минимальном техническом обслуживании. Срок службы и надежность инструмента увеличивается при правильном уходе и регулярной чистке.

Внимание! Перед проведением технического обслуживания электрического/аккумуляторного инструмента:

- ◆ Выключите инструмент и отключите его от источника питания.
- ◆ Или выключите инструмент и выньте из него аккумулятор, если инструмент оснащен съемным аккумулятором.
- ◆ В случае наличия встроенного аккумулятора, полностью разгрузите аккумулятор и выключите инструмент.
- ◆ Перед чисткой зарядного устройства отключите его от источника питания. Ваше зарядное устройство не требует никакого дополнительного технического обслуживания, кроме регулярной чистки.
- ◆ Регулярно очищайте вентиляционные отверстия инструмента/зарядного устройства мягкой щеткой или сухой тканью.
- ◆ Регулярно очищайте корпус двигателя влажной тканью. Не используйте абразивные чистящие средства, а также чистящие средства на основе растворителей.

Защита окружающей среды



Раздельный сбор. Данное изделие нельзя утилизировать вместе с обычными бытовыми отходами.

Если однажды Вы захотите заменить Ваш электроинструмент Black & Decker или Вы больше в нем не нуждаетесь, не выбрасывайте его вместе с бытовыми отходами. Отнесите изделие в специальный приемный пункт.



Раздельный сбор изделий с истекшим сроком службы и их упаковок позволяет пускать их в переработку и повторно использовать. Использование переработанных материалов помогает защищать окружающую среду от загрязнения и снижает расход сырьевых материалов.

Местное законодательство может обеспечить сбор старых электроинструментов отдельно от бытового мусора на муниципальных свалках отходов, или Вы можете сдавать их в торговом предприятии при покупке нового изделия.

Фирма Black & Decker обеспечивает прием и переработку отслуживших свой срок изделий Black & Decker. Чтобы воспользоваться этой услугой, Вы можете сдать Ваше изделие в любой авторизованный сервисный центр, который собирает их по нашему поручению.

Вы можете узнать место нахождения Вашего ближайшего авторизованного сервисного центра, обратившись в Ваш местный офис Black & Decker по адресу, указанному в данном руководстве по эксплуатации. Кроме того, список авторизованных сервисных центров Black & Decker и полную информацию о нашем послепродажном обслуживании и контактах Вы можете найти в интернете по адресу: www.2helpU.com

Технические характеристики

| | GL250 Тип 1 | GL310 Тип 1 | GL360 Тип 1 |
|-------------------------------------|----------------|----------------|----------------|
| Напряжение питания В перем. тока | 230 | 230 | 230 |
| Потребляемая мощность Вт | 250 | 300 | 350 |
| Число оборотов без нагрузки об/мин. | 11500 | 11500 | 11500 |
| Вес кг | 1,3 | 1,6 | 1,6 |

Измеренная вибрация на рукоятках в соответствии с EN 786: = 7,5 м/с², погрешность (К) = 1,5 м/с²

L_{РА} (звуковое давление) 80 дБ(А), погрешность (К) = 1,5 дБ(А)

Декларация соответствия ЕС

ДИРЕКТИВА ПО МЕХАНИЧЕСКОМУ
ОБОРУДОВАНИЮ
ДИРЕКТИВА ПО ШУМАМ, ПРОИЗВОДИМЫМ
ВНЕ ПОМЕЩЕНИЙ



GL250/GL310/GL360

Black & Decker заявляет, что продукты, обозначенные в разделе «Технические характеристики», полностью соответствуют стандартам: 2006/42/ЕС, EN 60335-1, EN 60335-2-91

2000/14/ЕС, Газонокосилка, L ≤ 50 см,
Приложение VIII

KEMA Quality B.V., Utrechtseweg 310, 6802 ED
Arnhem, Голландия

Идентификационный Номер Уполномоченного
Органа: 0344

Уровень акустической мощности, измеренный
в соответствии с 2000/14/ЕС (Статья 12,
Приложение III, L ≤ 50 см):

L_{WA} (измеренная акустическая мощность)
94 дБ(А)

Погрешность (К) = 1,5 дБ(А)

L_{WA} (гарантированная акустическая мощность)
96 дБ(А)

Погрешность (К) = 1,5 дБ(А)

Данные продукты также соответствуют
Директиве 2004/108/ЕС. За дополнительной
информацией обращайтесь по указанному
ниже адресу или по адресу, указанному на
последней странице руководства.

Нижеподписавшееся лицо полностью
отвечает за соответствие технических данных
и делает это заявление от имени фирмы
Black & Decker.

Кевин Хьюитт (Kevin Hewitt)
Вице-президент
отдела мирового
проектирования
Black & Decker Europe,
210 Bath Road, Slough,
Berkshire, SL1 3YD
United Kingdom
25.10.2010

БЛЭК ЭНД ДЕККЕР

гарантийные условия

Уважаемый покупатель!

1. Поздравляем Вас с покупкой высококачественного изделия BLACK & DECKER и выражаем признательность за Ваш выбор.
 - 1.1. Надежная работа данного изделия в течение всего срока эксплуатации - предмет особой заботы наших сервисных служб. В случае возникновения каких-либо проблем в процессе эксплуатации изделия рекомендуем Вам обращаться только в авторизованные сервисные организации, адреса и телефоны которых Вы сможете найти в Гарантийном талоне или узнать в магазине. Наши сервисные станции - это не только квалифицированный ремонт, но и широкий выбор запчастей и принадлежностей.
 - 1.2. При покупке изделия требуйте проверки его комплектности и исправности в Вашем присутствии, инструкцию по эксплуатации и заполненный Гарантийный талон на русском языке. При отсутствии у Вас правильно заполненного Гарантийного талона мы будем вынуждены отклонить Ваши претензии по качеству данного изделия.
 - 1.3. Во избежание недоразумений убедительно просим Вас перед началом работы с изделием внимательно ознакомиться с инструкцией по его эксплуатации.
 - 1.4. Обращаем Ваше внимание на исключительно бытовое назначение данного изделия.
2. Правовой основой настоящих гарантийных условий является действующее Законодательство и, в частности, Закон "О защите прав потребителей".
3. Гарантийный срок на данное изделие составляет 24 месяца и исчисляется со дня продажи через розничную торговую сеть. В случае устранения недостатков изделия, гарантийный срок продлевается на период, в течение которого оно не использовалось.
4. Срок службы изделия - 5 лет (минимальный, установленный в соответствии с Законом "О защите прав потребителей").
5. Наши гарантийные обязательства распространяются только на неисправности, выявленные в течение гарантийного срока и обусловленные производственными и конструктивными факторами.
6. Гарантийные обязательства не распространяются:
 - 6.1. На неисправности изделия, возникшие в результате:
 - 6.1.1. Несоблюдения пользователем предписаний инструкции по эксплуатации изделия.
 - 6.1.2. Механического повреждения, вызванного внешним ударным или любым иным воздействием.
 - 6.1.3. Использования изделия в профессиональных целях и объемах, в коммерческих целях.
 - 6.1.4. Применения изделия не по назначению.
 - 6.1.5. Стихийного бедствия.
 - 6.1.6. Неблагоприятных атмосферных и иных внешних воздействий на изделие, таких как дождь, снег, повышенная влажность, нагрев, агрессивные среды, несоответствие параметров питающей электросети указанным на инструменте.
 - 6.1.7. Использования принадлежностей, расходных материалов и запчастей, не рекомендованных или не одобренных производителем.
 - 6.1.8. Проникновения внутрь изделия посторонних предметов, насекомых, материалов или веществ, не являющихся отходами, сопровождающими применение по назначению, такими как стружка опилки и пр. .
 - 6.2. На инструменты, подвергавшиеся вскрытию, ремонту или модификации вне уполномоченной сервисной станции.
 - 6.3. На принадлежности, запчасти, вышедшие из строя вследствие нормального износа, и расходные материалы, такие как приводные ремни, угольные щетки, аккумуляторные батареи, ножи, пилки, абразивы, пильные диски, сверла, буры и т. п. .
 - 6.4. На неисправности, возникшие в результате перегрузки инструмента, повлекшей выход из строя электродвигателя или других узлов и деталей. К безусловным признакам перегрузки изделия относятся, помимо прочих: появление цветов побежалости, деформация или оплавление деталей и узлов изделия, потемнение или обугливание изоляции проводов электродвигателя под воздействием высокой температуры.



ME 77



007

Блэк энд Деккер ГмбХ
Блэк энд Деккер Штрассе, 40
65510 Идштайн, Германия

Область застосування

Ваш тример виробництва компанії Black & Decker був розроблений для підрізання та надання красивого вигляду газону та для обрізання трави на важкодоступних ділянках. Цей інструмент призначений лише для побутового використання.

Інструкції з техніки безпеки

Попередження! При використанні пристроїв з живленням від електричної мережі необхідно дотримуватись основних заходів безпеки, включаючи наступні, щоб знизити ризик виникнення пожежі, ураження електричним струмом, травм та матеріальних ушкоджень.

Попередження! При використанні пристрою необхідно дотримуватись правил техніки безпеки. Перед використанням машини прочитайте ці інструкції для власної безпеки та для безпеки людей, які знаходяться поряд. Будь ласка зберігайте інструкції в безпечному місці для використання в майбутньому.

- ◆ Перед роботою з пристроєм уважно прочитайте це керівництво.
- ◆ Використання за призначенням описане в цьому керівництві. Використання будь-яких аксесуарів чи додаткових інструментів, або виконання операцій з прибором, неописаних в цьому керівництві, може призвести до особливих травм.
- ◆ Зберігайте це керівництво для отримання інформації в подальшому.

Використання пристрою

Будьте уважні при використанні пристрою.

- ◆ Завжди використовуйте захисні окуляри.
- ◆ Ніколи не дозволяйте дітям та особам, які не знають всіх інструкцій, використовувати цей інструмент.
- ◆ Не дозволяйте дітям або тваринам підходити до робочої зони та торкатися пристроїв або електричних шнурів.
- ◆ Необхідний ретельний нагляд, коли пристрій використовується біля дітей.
- ◆ Цей пристрій не призначений для використання молодими та хворими людьми без нагляду.
- ◆ Цей інструмент не можна використовувати в якості іграшки.
- ◆ Використовуйте цей пристрій лише вдень або за умови хорошого штучного освітлення.
- ◆ Використовуйте лише в сухому місці. Не дозволяйте, щоб пристрій був вологим.
- ◆ Не погружайте пристрій в воду.

- ◆ Не відкривайте корпус. Всередині відсутні деталі, які користувач може обслуговувати самостійно.
- ◆ Не використовуйте цей пристрій у вибухонебезпечних умовах, наприклад, в присутності легкозаймистих рідин, газів або пилу.
- ◆ Щоб знизити ризик пошкодження вилок та шнурів, ніколи не тягніть за кабель, щоб витягнути вилку з розетки.

Безпека сторонніх людей

- ◆ Цей інструмент не призначений для використання людьми (включаючи дітей) з недостатніми фізичними, сенсорними або розумовими можливостями, або з недостатнім досвідом або знаннями, за винятком ситуацій, коли вони працюють під контролем або отримали відповідні інструкції щодо використання пристрою від відповідального за їх безпеку.
- ◆ Діти повинні знаходитись під контролем, щоб гарантувати, що вони не будуть грати з пристроєм.

Залишкові ризики.

Додаткові залишкові ризики можуть виникнути при використанні інструменту, який не включено до наведених попереджень з техніки безпеки. Ці ризики можуть виникнути через невірне використання, тривале використання, тощо. Незважаючи на виконання всіх відповідних правил техніки безпеки та використання пристроїв безпеки, неможливо уникнути деяких залишкових ризиків. Сюди належать:

- ◆ **Травми через контакт з деталями, що рухаються/обертаються.**
- ◆ **Травми при заміні деталей, пильних полотен або аксесуарів.**
- ◆ **Травми через занадто тривале використання інструменту. При використанні будь-якого інструменту протягом тривалого періоду часу не забувайте робити регулярні перерви.**
- ◆ **Пошкодження слуху.**
- ◆ **Небезпека для здоров'я через вдихання пилу, що утворюється при використанні інструменту (наприклад, при роботі з деревом, особливо з дубом, березою та ДВП.)**

Після використання

- ◆ Коли пристрій не використовується, його необхідно зберігати в сухому, добре провітрюваному та недоступному для дітей місці.
- ◆ Дітям забороняється мати доступ до пристрою в місці зберігання.

- ◆ Якщо пристрій зберігається або транспортується в автомобілі, його необхідно помістити в багажник або зафіксувати, щоб уникнути рухів через раптові зміни швидкості або напрямку.

Перевірка та ремонт

- ◆ Перед використанням перевірте пристрій на наявність пошкоджених деталей. Перевірте наявність пошкоджених деталей та інших умов, що можуть вплинути на роботу.
- ◆ Не використовуйте пристрій, якщо виявлено пошкодження або дефекти якоїсь деталі.
- ◆ Пошкоджені або дефектні деталі необхідно відремонтувати або замінити, звернувшись до авторизованого центру з ремонту.
- ◆ Ніколи не намагайтесь знімати або замінювати деталі, за винятком тих, що вказані в цьому керівництві.

Використання подовжуючого шнура

Завжди використовуйте рекомендований подовжуючий шнур, що відповідає вхідній потужності пристрою (див. Технічні дані). Подовжуючий шнур повинен підходити для використання на вулиці та повинен мати відповідне маркування. До 30 м подовжуючого шнура з площею перетину 1,5 мм² HO5VV-F можна використовувати без втрати продуктивності роботи виробу. Перед використанням огляньте кабель на ознаки пошкодження, зносу та старіння. Замініть кабель, якщо він пошкоджений або має якісь дефекти. При використанні кабельного барабану завжди витягуйте весь кабель.

Додаткові інструкції з техніки безпеки для мотокосарки

Попередження! Ріжучі елементи продовжують обертатися після вимкнення мотору.

- ◆ Ознайомтесь в правилами управління та відповідного використання пристрою.
- ◆ Перед використанням огляньте кабель живлення та подовжуючий шнур на ознаки пошкодження, зносу та старіння. Якщо шнур пошкоджується під час використання, негайно від'єднайте його від електромережі. НЕ ТОРКАЙТЕСЬ ШНУРА, ДОКИ ВІН НЕ ВІД'ЄДНАНИЙ ВІД ЕЛЕКТРОМЕРЕЖІ.
- ◆ Не використовуйте пристрій, якщо його кабелі пошкоджені або зношені.
- ◆ Підберіть міцне неслизьке для захисту ніг.
- ◆ Вдягайте довгі брюки, щоб захистити ноги.
- ◆ Перед використанням пристрою перевірте, що лінія вашого розрізу вільна від прутів, каміння, проводки та інших перешкод.

- ◆ Використовуйте цей пристрій лише у вертикальному положенні так, щоб лінія розрізу була недалеко від землі. Ніколи не вмикайте інструмент в іншому положенні.
- ◆ При використанні пристрою рухайтесь повільно. Пам'ятайте, що скошена трава волога та слизька.
- ◆ Не працюйте, стоячи на нахиленій поверхні. Рухайтесь по схилу поперек, а не вгору або вниз.
- ◆ Ніколи не переходьте гравієві доріжки та дороги з увімкненим пристроєм.
- ◆ Ніколи не торкайтесь ріжучої кромки із увімкненим інструментом.
- ◆ Ніколи не кладіть інструмент, доки ріжучий елемент повністю не зупиниться.
- ◆ Використовуйте лише відповідний тип ріжучої волосіні. Забороняється використовувати металеву та рибацьку волосінь.
- ◆ Ніколи не торкайтесь леза підрізного ножа.
- ◆ Зверніть увагу на те, щоб кабель знаходився на безпечній відстані від ріжучого елемента. Стежте за положенням кабелю при роботі.
- ◆ Тримайте руки та ноги подалі від ріжучої волосіні, особливо при ввімкненні інструменту.
- ◆ Перед використанням пристрою та після будь-якої роботи з ним перевіряйте пристрій на ознаки зносу або пошкодження та виконуйте ремонт за необхідності.
- ◆ Ніколи не використовуйте інструмент із пошкодженими запобіжниками або без них.
- ◆ Будьте обережні, щоб не пошкодитись якимось пристроєм, встановленим для підрізки довжини ріжучої волосіні. Після витягування нової ріжучої волосіні завжди повертайте пристрій у нормальне робоче положення перед увімкненням його.
- ◆ Стежте за тим, що вентиляційні отвори були чистими.
- ◆ Не використовуйте тример для газонів (тример для обробки краю газону), якщо шнур пошкоджений або зношений.
- ◆ Утримуйте подовжуючий шнур подалі від ріжучих елементів.

Маркування на пристрої

На інструменті є наступні попереджуючі символи:



Прочитайте ці інструкції перед використанням.



Використовуйте захисні окуляри при роботі з інструментом.



При використанні пристрою використовуйте засоби захисту органів слуху.



Завжди витягайте вилку з розетки перед оглядом пошкодженого кабелю. Не використовуйте тример, якщо кабель пошкоджений.



Бережіться летючих об'єктів. Тримайте сторонніх людей подалі від ріжучої поверхні.



Не залишайте інструмент під дощем та в умовах підвищеної вологості.



В Директиві 2000/14/ЕС вказана гарантована звукова потужність.

Електрична безпека



Цей пристрій має подвійну ізоляцію; тому заземлення не є необхідним. Завжди перевіряйте, що джерело живлення відповідає напрузі, що вказана на табличці з паспортними даними.

- ◆ Якщо шнур живлення пошкоджений, його необхідно замінити у виробника або в офіційному сервісному центрі Black & Decker для уникнення небезпеки.
- ◆ Рівень електричної безпеки можна також підвищити, використовуючи високочутливий пристрій залишкового струму (RCD) 30 мА.

Деталі

Цей пристрій має всі або деякі з нижче перерахованих деталей.

1. Вимикач
2. Ручка
3. Фіксатор кабелю
4. Вхід електроживлення
5. Друга ручка
6. Захисний кожух
7. Підрізний ніж
8. Ріжуча волосінь
9. Корпус для котушки
10. Головна частина інструменту

Зборка

Попередження! Перед збіркою переконайтеся, що інструмент вимкнено та вилка витягнута з розетки.

Прикріплення другої ручки (мал. А) (лише для GL310 і GL360)

- ◆ Перемістіть другу ручку (5) по основній ручці (2) у напрямку догори.

- ◆ Зафіксуйте другу ручку на бажаному місці двома гвинтами з комплекту.

Встановлення захисного кожуха (мал. В)

- ◆ Розташуйте захисний кожух на інструменті, як показано.
- ◆ Добре натисніть на захисний кожух (6), доки він не встане на місце.
- ◆ Закріпіть захисний кожух за допомогою гвинта.

Попередження! Не використовуйте інструмент, якщо захисний кожух встановлено не правильно.

Підготовка ріжучої волосіні до роботи

При транспортуванні ріжуча волосінь приклеєна до корпусу котушки.

- ◆ Зніміть клейку стрічку, утримуючи ріжучу волосінь (8) на корпусі котушки (9).

Підключення інструменту до мережі живлення (мал. С)

- ◆ З'єднайте штепсельну розетку відповідного подовжуючого кабелю з отвором входу живлення (4).
- ◆ Закріпіть кабель в фіксаторі (3).
- ◆ Підключіть мережний кабель до мережі живлення.

Попередження: Перед підключенням мережного кабелю до мережі живлення переконайтеся, що він закріплений фіксатором.

Попередження! Використовуйте подовжуючий шнур, що необхідний для використання поза приміщенням.

Використання

Попередження! Інструмент повинен працювати із своєю швидкістю. Не перевантажуйте його.

Вмикання та вимикання

- ◆ Для увімкнення інструменту натисніть на пусковий важіль (1).
- ◆ Відпустіть перемикач, щоб вимкнути інструмент.

Попередження! Не намагайтесь заблокувати перемикач у включеному положенні.

Примітки для оптимального використання

Загальні положення

- ◆ Щоб досягти оптимального результату, підстригайте лише суху траву.

Підстригання трави

- ◆ Тримайте інструмент, як показано на мал. D.
- ◆ Повільно пересувайте косарку з сторони в сторону.
- ◆ Підстригання високої трави треба робити поетапно, починаючи зверху. Робіть невеликі зрізи.
- ◆ Тримайте косарку на безпечній відстані від твердих предметів та ніжних рослин.
- ◆ Ріжуча волосінь зноситься швидше та буде вимагати частішої заміни, якщо скошувати траву біля тротуару або іншої абразивної поверхні, або якщо скошувати твердішу траву.
- ◆ При використанні тримера волосінь стає коротшою через зношення. Злегка вдарте пристроєм по землі під час роботи, після чого волосінь буде подана.
- ◆ Якщо ріжуча частина починає обертатися повільніше, зменшіть навантаження.

Встановлення нової катушки з ріжучою волосінню (мал. E - F)

Запасні катушки ріжучої волосіні можна придбати у дилерів компанії Black & Decker (кат. № A6226).

- ◆ Утримуйте фіксатори (12) натисненими та витягніть кришку (13) катушки з корпусу (9).
- ◆ Витягніть порожню катушку (14) з корпусу.
- ◆ Видаліть бруд та траву з кришки катушки та корпусу.
- ◆ Візьміть нову катушку та відмотайте приблизно 10 см ріжучої волосіні.
- ◆ Пропустіть волосінь через отвір (15).
- ◆ Встановіть катушку на стрижень (16) та трохи поверніть її, доки вона не встане на місце. Переконайтесь, що ріжуча волосінь не потрапила під катушку та що 10 см волосіні витягнуто з корпусу.
- ◆ Вирівняйте фіксатори (12) на кришці відносно отворів корпусу (15).
- ◆ Натисніть на кришку, щоб вона встала на своє місце на корпусі.

Попередження! Якщо ріжуча волосінь виступає за лезо (7), обріжте її так, щоб вона тільки доходила до нього.

Намотка нової волосіні на порожню катушку (мал. G - I)

Ви можете намотати ріжучу волосінь на порожню катушку. Запасні катушки ріжучої волосіні можна придбати у дилерів компанії Black & Decker (кат. № A6170 (25 м), A6046 (37,5 м) і A6171 (40 м)).

- ◆ Витягніть порожню катушку, як показано вище.

- ◆ Витягніть всю волосінь, що залишилася, з катушки.
 - ◆ Просуньте 2 см ріжучої волосіні в один з отворів (17) катушки, як показано на рисунку.
 - ◆ Намотайте волосінь на катушку в напрямку, що вказано стрілкою. (18). Намотуйте волосінь обережно та шарами. Не заплутуйте її.
 - ◆ Волосінь повинна виступати приблизно на 10 см з катушки, утримуйте її пальцем, щоб вона залишалася на місці.
 - ◆ Встановіть катушку, як було описано вище.
- Попередження!** Використовуйте лише відповідну ріжучу волосінь компанії Black & Decker.

Заміна шнура живлення (тільки для Великобританії та Ірландії)

Якщо нові шнури живлення мають бути прилаштовані:

- ◆ Зніміть стару вилку, дотримуючись техніки безпеки.
- ◆ Приєднайте коричневий провідник до активного виходу вилки.
- ◆ Підключіть синій кабель до нейтральної клеми.

Попередження! Жоден провідник повинен бути підключений до клеми заземлення.

Дотримуйтесь інструкцій щодо налаштування, що поставляються з якісними вилками.

Плавкий запобіжник, що рекомендується: 5 А.

Усунення несправностей

Якщо Вам здається, що Ваш інструмент працює невірно, виконайте інструкції, що наводяться нижче. Якщо Вам не вдалося вирішити проблему, будь ласка, зверніться в регіональний сервісний центр Black & Decker.

Попередження! Перед виконанням операцій, від'єднайте інструмент від мережі живлення.

Пристрій працює повільно

- ◆ Перевірте, що корпус катушки може вільно обертатися. При необхідності обережно прочистіть його.
- ◆ Ріжуча волосінь не повинна бути відмотана більше, ніж 11 см від корпусу катушки. Обріжте її при необхідності, щоб вона доходила до леза.

Якщо подача волосіні після удару інструменту об землю не працює

- ◆ Утримуйте фіксатори натисненими та витягніть кришку катушки з корпусу.

- ◆ Відмотайте ріжучу волосінь на 11 см від корпусу. Якщо котушка має мало волосіні, встановіть нову котушку з ріжучою волосінню, як описано вище.
- ◆ Вирівняйте фіксатори на корпусі котушки відносно виступів корпусу.
- ◆ Натисніть на кришку, щоб вона встала на своє місце на корпусі.
- ◆ Якщо ріжуча волосінь виступає за лезо, обріжте її так, щоб вона тільки доходила до нього.

Якщо механізм подачі волосіні ударом інструменту об землю все ж не працює або котушка не прокручується, спробуйте наступне:

- ◆ Обережно прочистіть кришку і корпус.
- ◆ Зніміть котушку та перевірте, що пружина на місці.
- ◆ Витягніть котушку і розмотайте ріжучу волосінь, а потім намотайте її знов ретельно, як описано вище. Вставте котушку на місце у відповідності до інструкцій.

Технічне обслуговування

Ваш пристрій виробництва компанії Black & Decker призначений для роботи протягом довгого часу з мінімальним обслуговуванням. Довга задовільна робота інструменту залежить від відповідного обслуговування інструменту/пристрою та регулярного очищення.

Попередження! Перед виконанням будь-якого технічного обслуговування інструменту зі шнуром живлення або без нього:

- ◆ Вимкніть інструмент та відключіть його від мережі живлення.
- ◆ Або вимкніть та витягніть батарею з інструменту, якщо інструмент оснащений окремим акумулятором.
- ◆ Або повністю розрядіть акумулятор, якщо він не витягається, а потім вимкніть інструмент.
- ◆ Витягніть зарядний пристрій з розетки перед очисткою. Ваш зарядний пристрій не вимагає технічного обслуговування, лише необхідно проводити регулярну очистку.
- ◆ Регулярно очищуйте вентиляційний отвір за допомогою м'якої щітки або сухої ганчірки.
- ◆ Регулярно очищуйте корпус мотору, використовуючи вологу ганчірку. Не використовуйте абразивні очищувачі та засоби, що містять розчинники.

Захист навколишнього середовища



Окреме збирання. Цей продукт не можна викидати разом зі звичайним побутовим сміттям.

Якщо якимось ви вирішите, що ваш виріб фірми Black & Decker має бути замінено, або він Вам більше не потрібний, не викидайте його на смітник побутового сміття. Зробіть цей виріб доступним для спеціального збирання.



Окремий збір використаних виробів та упаковки дозволяє повторно переробляти та використовувати матеріали. Переробка повторно використаних матеріалів допомагає попередити забруднення навколишнього середовища та зменшує потребу в сировині.

Місцеві законодавчі акти можуть передбачати окремий збір електричного обладнання в муніципальних місцях для збору сміття або продавцями при покупці нового обладнання.

Компанія Black & Decker має можливість для збору та переробки продуктів власного виробництва після закінчення їхнього терміну служби. Щоб скористатися цією послугою, поверніть виріб компанії в офіційний сервісний центр, які збирають відпрацьовані продукти за наш рахунок.

Ви можете знайти місцезнаходження найближчого до Вас сервісного центру, зв'язавшись з місцевим офісом компанії Black & Decker за адресою, вказаною в цих інструкціях. Крім того, список офіційних сервісних центрів компанії Black & Decker з усіма подробицями нашого післяпродажного обслуговування та контактною інформацією міститься в Інтернеті за адресою: www.2helpU.com

Технічні дані

| | | GL250 | GL310 | GL360 |
|-------------------|-------------------|-------|-------|-------|
| | | Тип 1 | Тип 1 | Тип 1 |
| Вхідна напруга | V_{AC} | 230 | 230 | 230 |
| Вхідна потужність | W_t | 250 | 300 | 350 |
| Швидкість | | | | |
| без навантаження | хв. ⁻¹ | 11500 | 11500 | 11500 |
| Вага | кг | 1,3 | 1,6 | 1,6 |

Значення вібрації при навантаженні на руку відповідно до EN 786: = 7,5 м/с², похибка (K) = 1,5 м/с².

L_{pA} (звуковий тиск) 80 дБ(A), похибка (K) = 1,5 дБ(A)

Заява про відповідність ЄС
ДИРЕКТИВА ДЛЯ МЕХАНІЧНОГО
ОБЛАДНАННЯ
ДИРЕКТИВА ПРО ШУМИ, ЩО ВИНИКАЮТЬ
ПОЗА ПРИМІЩЕННЯМИ



GL250/GL310/GL360

Компанія Black & Decker заявляє, що продукти,
описані в розділі „Технічні дані“ відповідають:
2006/42/EC, EN 60335-1, EN 60335-2-91.

2000/14/EC, тример для газонів, $L \leq 50$ см,
Додаток VIII

KEMA Quality B.V., Utrechtseweg 310, 6802 ED
Arnhem, Нідерланди

Ідентифікаційний № уповноваженого органу:
0344

Рівень акустичної потужності відповідно до
2000/14/EC

(Стаття 12, Додаток III, $L \leq 50$ см):

L_{WA} (виміряна акустична потужність) 94 дБ(А)
похибка (К) = 1,5 дБ(А)

L_{WA} (гарантована акустична потужність)
96 дБ(А)
похибка (К) = 1,5 дБ(А)

Для отримання додаткової інформації, будь
ласка, зверніться до компанії Black & Decker
за наступною адресою або прочитайте
інформацію на зворотній стороні цього
керівництва.

Нижчепідписаний несе відповідальність
за упорядкування файлу технічних
характеристик та робить цю заяву від компанії
Black & Decker.

Кевін Хьюїт (Kevin Hewitt)
Віце-президент
з глобальних розробок
Black & Decker Europe,
210 Bath Road, Slough,
Berkshire, SL1 3YD
Великобританія
25.10.2010

БЛЕК ЕНД ДЕККЕР

гарантійні умови

Шановний покупцю!

1. Вітаємо Вас з покупкою високоякісного виробу компанії Black & Decker та висловлюємо Вам свою вдячність за Ваш вибір.
 - 1.1. Надійна робота цього виробу на протязі всього терміну експлуатації є предметом особливої турботи наших сервісних служб. У випадку виникнення будь-яких проблем в процесі експлуатації виробу ми рекомендуємо Вам звертатися лише до авторизованих сервісних організацій, адреси та телефони яких Ви зможете знайти в Гарантійному талоні або дізнатися в магазині. Наші сервісні центри – це не тільки кваліфікований ремонт, але і широкий вибір запчастин та аксесуарів.
 - 1.2. При купівлі виробу вимагайте перевірки його комплектності та справності за Вашої присутності, наявності інструкції з експлуатації та заповненого Гарантійного талону на українській мові. За умови відсутності у Вас правильно заповненого Гарантійного талону ми будемо вимушені відхилити Ваші претензії щодо якості цього виробу.
 - 1.3. Щоб уникнути всіх непорозумінь наполегливо просимо Вас перед початком роботи з виробом уважно ознайомитись з інструкцією щодо його експлуатації.
 - 1.4. Звертаємо Вашу увагу на виключно побутове призначення цього виробу.
2. Правовою основою даних гарантійних умов є діюче Законодавство та, зокрема, Закон "Про захист прав споживачів".
3. Гарантійний термін на даний виріб складає 24 місяці та починається з дня продажу через роздрібну торгову мережу. У випадку усунення недоліків виробу гарантійний термін подовжується на період, протягом якого виріб не використовувався.
4. Термін служби виробу - 5 років (мінімальний, встановлений у відповідності до Закону "Про захист прав споживачів").
5. Наші гарантійні зобов'язання поширюються тільки на несправності, виявлені протягом гарантійного терміну та обумовлені виробничими та конструктивними факторами.
6. Гарантійні зобов'язання не поширюються:
 - 6.1. На несправності виробу, що виникли в результаті:
 - 6.1.1. Недотримання користувачем вказівок інструкції з експлуатації виробу.
 - 6.1.2. Механічних пошкоджень, викликаних зовнішнім ударним або іншим впливом.
 - 6.1.3. Використання виробу в професійних цілях та об'ємах, в комерційних цілях.
 - 6.1.4. Застосування виробу не за призначенням.
 - 6.1.5. Стихійного лиха.

- 6.1.6. Несприятливому атмосферному та інших зовнішніх впливах на виріб, таких як дощ, сніг, підвищена вологість, нагрів, агресивні середовища, невідповідність параметрів електромережі параметрам, вказаним на інструменті.
- 6.1.7. Використання аксесуарів, витратних матеріалів та запчастин, які не рекомендовані або не схвалені виробником.
- 6.1.8. Проникнення всередину інструменту сторонніх предметів, комах, матеріалів або речовин, що не є відходами, які супроводжують використання інструменту за призначенням, наприклад, стружки, опилки та ін.
- 6.2. На інструменти, що були відкриті, піддані ремонту або модифікації поза уповноваженим сервісним центром.
- 6.3. На приналежності, запчастини, що вийшли з ладу внаслідок нормального зносу, та витратні матеріали, такі як, приводні ремені, вугільні щітки, ножі, та ін.
- 6.4. На несправності, які виникли в результаті перевантаження інструменту, що призвело до виходу з ладу електродвигуна або інших вузлів та деталей. До безумовних ознак перевантаження виробу належать, зокрема: поява кольорів мінливості, деформація або оплавлення деталей та вузлів виробу, потемніння або обвуглювання ізоляції дротів електродвигуна під впливом високої температури.



Виробник:

"Stanley Black & Decker Deutschland GmbH" Black-&-Decker Str.40, D-65510 Idstein, Німеччина

Kullanım amacı

Black & Decker misinalı çim kesme makineniz bahçenizdeki çim kenarlarının kesilmesi ve düzeltilmesi, ayrıca dar alanlardaki çimlerin kesilmesi için tasarlanmıştır. Bu alet sadece hafif hizmet ve hobi kullanımı içindir.

Güvenlik talimatları

Uyarı! Elektrikli aletlerle çalışırken yangın oluşma riski, elektrik çarpması, kişilerin yaralanması ve maddi zararları önlemek için burada belirtilen güvenlik talimatlarına uyulmalıdır.

Uyarı! Aleti kullanırken güvenlik talimatlarına uyulmalıdır. Aleti çalıştırmadan önce, kendi güvenliğiniz ve çalışma alanından geçen kişilerin güvenliği için lütfen bu talimatları okuyun. Lütfen kullanma kılavuzunu sonraki kullanımlar için güvenli bir şekilde saklayın.

- ◆ Aletle çalışmaya başlamadan önce bu kılavuzu dikkatlice okuyun.
- ◆ Kullanım amacı bu kullanım kılavuzunda açıklanmıştır. Bu aletle, kullanım kılavuzunda belirtilenler dışında herhangi bir aksesuar ya da ataşmanın kullanılması veya herhangi bir işlemin gerçekleştirilmesi kişisel yaralanma riskine yol açabilir.
- ◆ Kılavuzu, ileride kullanabilmeniz için saklayın.

Aletin kullanımı

Aleti kullanırken her zaman dikkatli olun.

- ◆ Her zaman koruyucu gözlük takın.
- ◆ Çocukların veya bu talimatları bilmeyen kişilerin aleti kullanmasına izin vermeyin.
- ◆ Çocukların veya hayvanların çalışma alanına yaklaşmasına veya alete ya da elektrik kablo-suna dokunmasına izin vermeyin.
- ◆ Alet çocukların yanında kullanıldığında yakın gözetim gerekmektedir.
- ◆ Bu alet genç veya kuvvetsiz kişilerin gözetimsiz kullanmaları için tasarlanmamıştır.
- ◆ Bu alet oyuncak olarak kullanılamaz.
- ◆ Aleti yalnızca gün ışığında veya iyi bir aydınlatma altında kullanın.
- ◆ Aleti, sadece kuru alanlarda kullanın. Aletin ıslanmasına izin vermeyin.
- ◆ Aleti suya batırmayın.
- ◆ Gövde muhafazasını açmayın. Aletin içinde bakımı kullanıcı tarafından yapılabilecek herhangi bir parça yoktur.
- ◆ Aleti, yanıcı sıvılar, gazlar ve tozların bulunduğu yerler gibi yanıcı ortamlarda çalıştırmayın.
- ◆ Fişler veya kabloların hasar görme riskini azaltmak için fişi prizden çıkartmak istediğinizde asla kablodan tutarak çekmeyin.

Diğer kişilerin güvenliği

- ◆ Bu alet fiziksel ve zihinsel kapasitesinin yanı sıra algılama gücü azalmış olan veya yeterince deneyim ve bilgisi bulunmayan kişiler (çocuklar dahil) tarafından kullanılmak üzere üretilmemiştir. Bu tür kişiler aleti ancak güvenliklerinden sorumlu bir kişi tarafından cihazın kullanımıyla ilgili talimatların verilmesi veya sürekli kontrol altında tutulması durumunda kullanabilir.
- ◆ Çocuklar, aletle oynamalarının önlemek amacıyla kontrol altında tutulmalıdır.

Diğer tehlikeler

Aletin kullanımıyla ilgili ekte sunulan güvenlik uyarılarına dahil olmayan ilave kalıcı riskler ortaya çıkabilir. Bu riskler, hatalı, uzun süreli kullanım vb. dolayısıyla ortaya çıkabilir.

Emniyet tedbirlerini düzenleyen yönetmeliğin uygulanmasına ve emniyet sağlayıcı aygıtların kullanılmasına rağmen, başka belirli risklerden kaçınılamaz. Bunlar:

- ◆ **Aletin dönen ve hareket eden parçalarına dokunma sonucu ortaya çıkan yaralanmalar.**
- ◆ **Herhangi bir parçayı, bıçak veya aksesuarı değiştirirken ortaya çıkan yaralanmalar.**
- ◆ **Aletin uzun süreli kullanılması sonucu ortaya çıkan yaralanmalar. Herhangi bir aleti uzun sürelerle kullanacaksanız düzenli olarak çalışmanıza ara verin.**
- ◆ **Duyuma bozukluğu.**
- ◆ **Aleti kullanırken ortaya çıkan tozun solunması sonucu ortaya çıkan sağlık sorunları (örnek: ahşapta çalışırken, özellikle meşe, akgürgen ve MDF.)**

Kullanımdan sonra

- ◆ Aletler, kullanılmadıkları zamanlarda kuru, iyi havalandırılmalı ve çocukların ulaşamayacağı yüksek bir yerde saklanmalıdır.
- ◆ Çocuklar, aletin saklandığı yere erişememelidir.
- ◆ Alet bir araç içinde saklanırken veya taşınırken, ani hız veya yön değişikliklerinde hareket etmesini önlemek için bagaja koyulmalı veya sabitlenmelidir.

İncelemeler ve tamiratlar

- ◆ Kullanmadan önce alette hasarlı veya kusurlu parça olup olmadığını kontrol edin. Parçalardaki kırılmaları ve aletin çalışmasını etkileyebilecek tüm diğer koşulları kontrol edin.
- ◆ Herhangi bir parçası hasarlı veya kusurlu ise aleti kullanmayın.
- ◆ Hasarlı veya kusurlu parçaların Black & Decker yetkili servisinde onarılmasını veya değiştirilmesini sağlayın.

- ◆ Bu kılavuzda belirtilenler dışında hiçbir parçayı sökmeye veya değiştirmeye çalışmayın.

Uzatma kablolarının kullanımı

Daima bu aletin elektrik girişine uygun (teknik özelliklerine bakın), onaylı bir uzatma kablosu kullanın. Uzatma kablosu açık havada kullanıma uygun ve buna göre işaretlenmiş olmalıdır. 30 m'ye kadar 1,5 mm² iletken ebatlı HO5VV-F uzatma kablosu, güç kaybı yaşanmadan kullanılabilir. Kullanmadan önce, uzatma kablosunda hasar, aşınma veya eskime olup olmadığını kontrol edin. Hasarlı veya kusurlu ise, uzatma kablosunu değiştirin. Bir kablo makarası kullanırken, kabloyu daima sonuna kadar açın.

Çim kesme makineleri için ek güvenlik talimatları

Uyarı! Motor kapatıldıktan sonra kesim elemanları dönmeye devam eder.

- ◆ Aletin kumandalarını ve uygun şekilde kullanımını öğrenin.
- ◆ Kullanmadan önce, şebeke kablosunda ve uzatma kablosunda hasar, aşınma veya eskime olup olmadığını kontrol edin. Kablo kullanım sırasında hasar görmüşse, kabloyu derhal fişten çekin. **KABLOYU FİŞTEN ÇEKMEYEN ÖNCE KABLOYA DOKUNMAYIN.**
- ◆ Kablo hasarlı veya yıpranmış ise aleti kullanmayın.
- ◆ Ayaklarınızı korumak için sağlam ayakkabılar veya botlar giyin.
- ◆ Bacaklarınızı korumak için uzun pantolon giyin.
- ◆ Aleti kullanmadan önce, kesim yolunuzda çalı parçaları, taşlar, tel ve başka herhangi bir engel olup olmadığını kontrol edin.
- ◆ Aleti, sadece dik konumda ve misina yere yakın olarak kullanın. Aleti kesinlikle başka hiçbir konumda açmayın.
- ◆ Aleti kullanırken yavaş hareket edin. Yeni kesilmiş çimin nemli ve kaygan olduğunu unutmayın.
- ◆ Dik eğimlerde çalışmayın. Yukarı ve aşağı doğru değil, eğim yüzeyi boyunca çalışın.
- ◆ Alet çalışır durumdayken kesinlikle çakıllı patikalardan veya yollardan geçmeyin.
- ◆ Alet çalışırken hiçbir zaman misinaya dokunmayın.
- ◆ Misina tamamen durmadan aleti yere koymayın.
- ◆ Daima uygun tipte misina kullanın. Kesinlikle metal kesim ipi veya balık misinası kullanmayın.
- ◆ Misina kesim bıçağına kesinlikle dokunmayın.
- ◆ Şebeke kablosunu misinadan uzak tutmaya dikkat edin. Kablonun konumuna daima dikkat edin.
- ◆ Ellerinizi ve ayaklarınızı, özellikle motoru çalıştırırken misinadan daima uzakta tutun.

- ◆ Aleti kullanmadan önce ve herhangi bir darbeden sonra, aşınma veya hasar olup olmadığını kontrol edin ve gerekirse tamir ettirin.
- ◆ Siperlik zarar gördüğünde veya yerine takılı olmadığında hiçbir zaman aleti çalıştırmayın.
- ◆ Çim kesme için misinayla çalışan aletlerde misina uzunluğundan dolayı meydana gelebilecek yaralanmalara karşı önlem alın. Misinayı uzattıktan sonra, çalıştırmadan önce aleti her zaman normal çalışma konumuna getirin.
- ◆ Havalandırma deliklerinde herhangi bir birikinti olmadığından daima emin olun.
- ◆ Kablo hasarlı veya yıpranmış ise çim kesme makinesini kullanmayın.
- ◆ Uzatma kablosunu kesim elemanlarından uzak tutmaya dikkat edin.

Alet üzerindeki etiketler

Alet üzerinde, aşağıdaki uyarı sembolleri bulunmaktadır:



Aleti kullanmadan önce kullanım kılavuzunu okuyun.



Bu aleti kullanırken koruyucu gözlük kullanın.



Aletle çalışırken kulaklık takın.



Hasarlı bir kabloyu incelemeyen önce her zaman fişi prizden çekin. Eğer kablo hasarlıysa misinalı çim kesme makinesini kullanmamaya dikkat edin.



Uçan nesnelere kaçın. Etraftaki kişileri kesme alanından uzakta tutun.



Aleti yağmura ve yüksek neme maruz bırakmayın.



2000/14/EC Direktifine göre garantili ses basıncı düzeyi.

Elektrik güvenliği



Bu alet çift yalıtımlıdır; Bu yüzden hiçbir topraklama kablosuna gerek yoktur. Her zaman şebeke geriliminin aletin üretim etiketinde belirlenmiş değerlere uyup uymadığını kontrol edin.

- ◆ Elektrik kablosu hasarlı ise, bir tehlike oluşmasını önlemek için üretici ya da yetkili Black & Decker Servis Merkezi tarafından değiştirilmelidir.

- ◆ Elektrik güvenliği, yüksek duyarlılıklı 30mA bir artık akım cihazı (RCD) kullanılarak daha da artırılabilir.

ÖZELLİKLER

Bu alet, aşağıdaki özelliklerin bir kısmını veya tümünü içermektedir.

1. Açma/kapama düğmesi
2. Tutma kolu
3. Kablo tutucu
4. Güç girişi
5. İkinci tutma kolu
6. Siperlik
7. Misina düzeltme bıçağı
8. Misina
9. Makara muhafazası
10. Motor gövdesi

Montaj

Uyarı! Montajdan önce aletin kapalı ve fişinin çekilmiş olduğundan emin olun.

İkinci tutma kolunun takılması (Şekil A) (sadece GL310 ve GL360)

- ◆ İkinci tutma kolunu (5) tutma kolu (2) üzerine dik olarak geçirin.
- ◆ Ambalajdan çıkan iki adet vida ile ikinci tutma kolunu yerine sabitleyin.

Siperliğin takılması (Şekil B)

- ◆ Siperliği gösterildiği gibi aletin üzerine yerleştirin.
- ◆ Yerine yerleşene kadar siperliği (6) sıkıca bastırın.
- ◆ Siperliği vidayla sabitleyin.

Uyarı! Aleti, siperlik uygun şekilde takılı değilken kesinlikle kullanmayın.

Misinin çıkartılması

Misina, makara muhafazasına bantlanmıştır.

- ◆ Misinayı (8) makara muhafazasına (9) yapıştırıcı bandı çıkartın.

Aletin şebeke elektriğine bağlanması (Şekil C)

- ◆ Uygun bir uzatma kablosunun dişi fişini güç girişine (4) takın.
- ◆ Kabloyu kablo tutucusundan (3) geçirin.
- ◆ Şebeke fişini bir şebeke prizine takın.

Hazır bağlantılı kabloya sahip aletler için: Fişi şebeke prizine takmadan önce kablonun kablo tutucudan geçirildiğinden emin olun.

Uyarı! Uzatma kablosu açık havada kullanıma uygun olmalıdır.

Kullanımı

Uyarı! Aletin kendi hızında çalışmasına izin verin. Aşırı yüklenmeyin.

Açılması ve kapatılması

- ◆ Aleti açmak için, açma/kapama düğmesine (1) basın.
- ◆ Aleti kapatmak için açma/kapama düğmesini bırakın.

Uyarı! Açma/kapama düğmesini kesinlikle açık konumda kilitlemeye çalışmayın.

Yararlı tavsiyeler

Genel

- ◆ En uygun kesim sonuçları elde etmek için, sadece kuru çim kesin.

Kesme

- ◆ Aleti Şekil D'de gösterildiği gibi tutun.
- ◆ Çim kesme makinesini yavaşça bir taraftan diğer tarafa doğru sallayın.
- ◆ Uzun çimleri keserken, yukarıdan aşağı kademelerle çalışın. Küçük kesimler yapın.
- ◆ Aleti sert nesnelere ve hassas bitkilerden uzak tutun.
- ◆ Eğer kesme döşeme veya diğer aşındırıcı malzemeler boyunca yapılırsa veya kalın yabancı otlar kesilirse misina daha çabuk aşınacak ve daha fazla besleme gerekecektir.
- ◆ Misinalı çim kesme makinesini kullandıkça misina aşındığından dolayı kısılacaktır. Alet çalışırken yavaşça yere doğru vurun ve misina kendiliğinden uzayacaktır.
- ◆ Alet yavaşlarsa, yükü azaltın.

Yeni bir misina makarasının takılması (Şekil E - F)

Yedek misina makaralarını Black & Decker bayiinizden temin edebilirsiniz (kat. no. A6226).

- ◆ Tırnakları (12) basılı tutup makara kapağını (13) muhafazadan (9) çıkartın.
- ◆ Boş makarayı (14) makara muhafazasından çıkartın.
- ◆ Makara kapağı ve muhafazadaki tüm kir ve çimi temizleyin.
- ◆ Yeni makarayı alın, yaklaşık 10 cm misina açın.
- ◆ Misinayı delikten (15) geçirin.
- ◆ Makarayı, tahrik milinin (16) üzerine bastırın ve oturana kadar hafifçe döndürün. Misinanın makaranın altında sıkışmadığından ve 10 cm kadarının muhafazadan dışarı çıktığından emin olun.
- ◆ Makara kapağındaki tırnakları (12) muhafazadaki (15) deliklerle hizalayın.

- ◆ Kapağı, güvenli bir şekilde yerine geçene kadar muhafazanın üzerine bastırın.

Uyarı! Misina düzeltme bıçağının (7) ötesine uzuyorsa misinayı sadece bıçağa ulaşacak şekilde kesin.

Yeni misinanın boş bir makaraya sarılması (Şekil G - I)

Boş bir makaraya yeni misinayı sarabilirsiniz. Yedek misina paketlerini Black & Decker bayiinizden temin edebilirsiniz (kat. no. A6170 (25 m), A6046 (37,5 m) ve A6171 (40 m)).

- ◆ Boş makarayı, yukarıda belirtildiği gibi aletten çıkartın.
- ◆ Makarada kalan misinayı makaradan çıkartın.
- ◆ 2 cm kadar misinayı, gösterildiği gibi makaranın deliklerden (17) birine geçirin.
- ◆ Misinayı, ok (18) yönünde makaraya sarın. Misinayı, düzenli ve katmanlar halinde sardığınızdan emin olun. Çapraz sarmayın.
- ◆ Misinayı makaradan yaklaşık 10 cm çıkartın ve misinayı sabit tutmak için parmağınızla bastırın.
- ◆ Makarayı alete takmak için yukarıda belirtilen işlemleri uygulayın.

Uyarı! Yalnızca uygun tipte Black & Decker misina kullanın.

Arıza giderme

Aletinizin düzgün çalışmadığını düşünüyorsanız aşağıdaki talimatları izleyin. Bu, sorunu çözmezse lütfen en yakın Black & Decker yetkili servisiyle temas kurun.

Uyarı! Devam etmeden önce aleti kapatıp fişini çekin.

Alet çok yavaş çalışıyor

- ◆ Makara muhafazasının rahatça dönüp dönmediğini kontrol edin. Gerekirse dikkatli bir şekilde temizleyin.
- ◆ Misinanın, makara muhafazasından 11 cm'den fazla çıkıp çıkmadığını kontrol edin. Çıkıyorsa, sadece misina düzeltme bıçağına ulaşacak şekilde kesin.

Vurmali misina sistemi çalışmazsa

- ◆ Tırnakları basılı tutup makara kapağını muhafazadan çıkartın.
- ◆ Misinayı muhafazadan 11 cm çikana kadar çekin. Makarada yeterince misina kalmamışsa, yukarıda belirtildiği gibi yeni bir misina makarası takın.
- ◆ Makara kapağındaki tırnakları muhafazadaki deliklerle hizalayın.
- ◆ Kapağı, güvenli bir şekilde yerine geçene kadar muhafazanın üzerine bastırın.

- ◆ Misina düzeltme bıçağının ötesine uzuyorsa misinayı sadece bıçağa ulaşacak şekilde kesin. Vurmali misina sistemi halen çalışmıyorsa veya makara sıkışmışsa aşağıdaki önerileri deneyin:

- ◆ Makara kapağını ve muhafazayı dikkatli bir şekilde temizleyin.
- ◆ Makarayı çıkartın ve misinanın yerinde olup olmadığını kontrol edin.
- ◆ Makarayı çıkartın ve misinayı çözün, ardından yukarıda açıklandığı gibi düzenli bir şekilde geri sarın. Makarayı belirtildiği gibi yerine yerleştirin.

Bakım

Black & Decker elektrikli/şarjlı aletiniz minimum bakımla uzun bir süre çalışacak şekilde tasarlanmıştır. Kesintisiz olarak memnuniyet verici bir şekilde çalışması gerekli özenin gösterilmesine ve düzenli temizliğe bağlıdır.

Uyarı! Elektrikli/şarjlı alet üzerinde herhangi bir bakım işlemi gerçekleştirmeden önce:

- ◆ Aleti kapatın ve fişten çekin.
- ◆ Veya aletin çıkartılabilir aküsü varsa; aleti kapatın ve aküyü aletten çıkartın.
- ◆ Veya aletin dahili aküsü varsa, bitene kadar çalıştırın ve sonra kapatın.
- ◆ Şarj cihazını temizlemeden önce fişten çekin. Şarj cihazınız, düzenli temizlik dışında herhangi bir bakım gerektirmemektedir.
- ◆ Aletinizdeki ve şarj cihazındaki havalandırma deliklerini yumuşak bir fırça veya kuru bir bezle düzenli olarak temizleyin.
- ◆ Motor muhafazasını düzenli olarak nemli bir bezle silin. Aşındırıcı veya çözücü bazlı temizleyiciler kullanmayın.

Çevrenin korunması



Ayrı olarak atın. Bu ürün, normal evsel atıklarla birlikte atılmamalıdır.

Black & Decker ürününüzün değiştirilmesi gerektiğini düşünmeniz veya artık kullanılamaz durumda olması halinde onu, evsel atıklarla birlikte atmayın. Bu ürünü, ayrı olarak toplanacak şekilde atın.



Kullanılmış ürünlerin ve ambalajların ayrı olarak toplanması bu maddelerin geri dönüşüme sokularak yeniden kullanılmasına olanak tanır. Geri dönüşümlü maddelerin tekrar kullanılması çevre kirliliğinin önlenmesine yardımcı olur ve ham madde ihtiyacını azaltır.

Yerel yönetmelikler, elektrikli ürünlerin evlerden toplanıp belediye atık tesislerine aktarılması veya yeni bir ürün satın alırken perakende satıcı tarafından toplanması yönünde hükümler içerebilir.

Black & Decker, hizmet ömrünün sonuna ulaşan Black & Decker ürünlerinin toplanması ve geri dönüşüme sokulması için bir imkân sunmaktadır. Bu hizmetin avantajlarından faydalanmak için, lütfen, ürününüzü bizim adımıza teslim alacak herhangi bir yetkili servise iade edin.

Bu kılavuzda belirtilen listeden size en yakın yetkili tamir servisinin yerini öğrenebilirsiniz. Ya da, alternatif olarak internet'ten Black & Decker yetkili tamir servislerinin listesini ve satış sonrası hizmetlerimizle ilgili tüm bilgiler ve temas bilgilerine aşağıdaki siteden ulaşabilirsiniz. www.2helpU.com

Teknik özellikleri

| | | GL250 | GL310 | GL360 |
|---------------|-----------------|-------|-------|-------|
| | | Tip 1 | Tip 1 | Tip 1 |
| Giriş voltajı | V _{AC} | 230 | 230 | 230 |
| Giriş gücü | W | 250 | 300 | 350 |
| Yüksüz hızı | dev/dak | 11500 | 11500 | 11500 |
| Ağırlık | kg | 1,3 | 1,6 | 1,6 |

EN 786'ya göre el/kol ağırlıklı titreşim: 7,5 m/s², belirsizlik (K) = 1,5 m/s²

L_{PA} (ses basıncı) 80 dB(A), belirsizlik (K) = 1,5 dB(A)

AT Uygunluk Beyanati

MAKİNE DİREKTİFİ
DIŞ MEKAN GÜRÜLTÜ DİREKTİFİ



GL250/GL310/GL360

Black & Decker, «teknik özellikleri» bölümünde açıklanan bu ürünlerin aşağıda belirtilen yönergelere uygun olduğunu beyan eder:
2006/42/EC, EN 60335-1, EN 60335-2-91

2000/14/EC, Misinalı çim biçme makinesi, L ≤ 50, Ek VIII

KEMA Quality B.V., Utrechtseweg 310, 6802 ED Arnhem, Hollanda

Onaylanmış kuruluş Kimlik No.: 0344

2000/14/EC (Madde 12, Ek III, L ≤ 50 cm)'e göre ölçülen ses basıncı düzeyi:

L_{WA} (akustik güç) 94 dB(A)

Belirsizlik (K) = 1,5 dB(A)

L_{WA} (garantili) 96 dB(A)

Belirsizlik (K) = 1,5 dB(A)

Bu ürünler ayrıca 2004/108/EC Direktifine de uygundur. Daha fazla bilgi için, lütfen aşağıdaki adresten Black & Decker ile irtibata geçin veya kılavuzun arkasına bakın. Bu belge altında imzası bulunan yetkili, teknik dosyanın derlenmesinden sorumludur ve bu beyanı Black & Decker adına vermiştir.

Kevin Hewitt
Başkan Yardımcısı,
Global Mühendislik
Black & Decker Europe,
210 Bath Road, Slough,
Berkshire, SL1 3YD
İngiltere
25.10.2010

Garanti

Black & Decker, ürünün kalitesinden emindir ve bu yüzden kanunlarda belirtilen taleplerin üstünde bir garanti verir. Ayrıca bu garanti hiçbir şekilde garanti ile ilgili kanuni haklarınızı ihlal etmez ve haklarınızı hiç bir şekilde kısıtlamaz. İşbu garanti Avrupa Birliği'ne üye ülkeler ile Avrupa Serbest Ticaret Bölgesi sınırları dahilinde geçerlidir.

Eğer bir Black & Decker ürünü, satın alma tarihinden itibaren 24 ay içinde hatalı malzeme, işçilik ya da uygunsuzluk nedeniyle bozulursa, müşteriye mümkün olabilecek en az sorunu yaşatarak Black & Decker hatalı kısımları değiştirmeyi, adil bir şekilde aşınmış ve yıpranmış ürünleri tamir etmeyi veya değiştirmeyi garanti eder. Ancak bu belirtilenler şu durumlar dışında geçerlidir:

- ◆ Ürün ticari veya profesyonel amaçlarla kullanılmışsa veya kiraya verilmişse;
- ◆ Ürün yanlış veya amaç dışı kullanılmışsa;
- ◆ Ürün yabancı nesnelere, maddelere veya kaza sırasında zarar görmüşse;
- ◆ Yetkili tamir servisleri veya Black & Decker servis ekibinden başkası tarafından tamir edilmeye çalışılmışsa.

Garanti talebinde bulunmak için, satıcıya veya yetkili tamir servisine satın aldığınıza dair ispat sunmalısınız. Fatura ve garanti kartı gerekmektedir. Bu kılavuzda belirtilen listeden size en yakın yetkili tamir servisinin yerini öğrenebilirsiniz. Ya da, alternatif olarak internet'ten Black & Decker yetkili tamir servislerinin listesini ve satış sonrası hizmetlerimizle ilgili tüm bilgiler ve temas bilgilerine aşağıdaki siteden ulaşabilirsiniz. **www.2helpU.com**

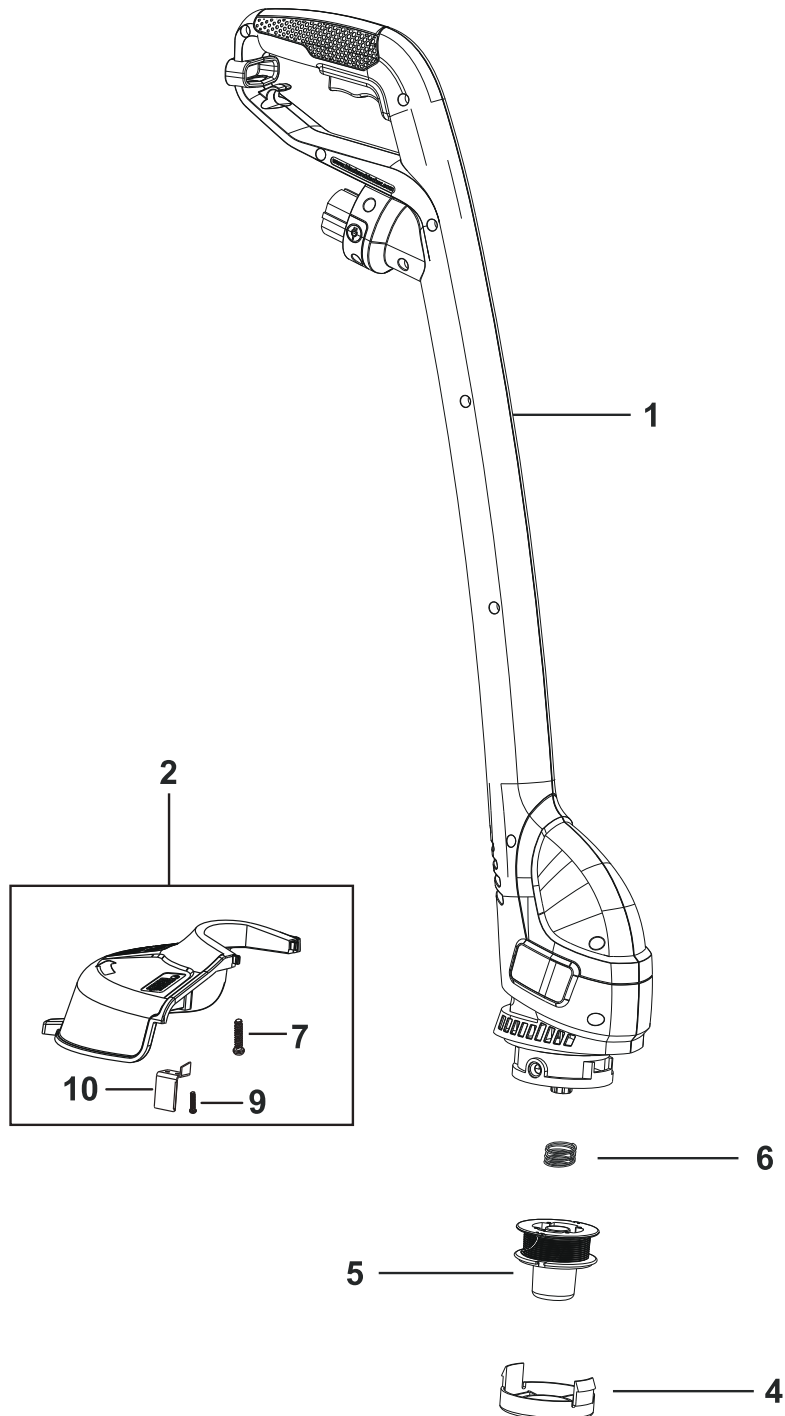
Sanayi ve Ticaret Bakanlığı tebliğince kullanım ömrü 10 yıldır.

Türkiye Distribütörü

KALE HIRDAVAT VE MAKİNA A.Ş.
Defterdar Mah. Savaklar Cad. No. 15
34050 Edirnekapı Eyüp İstanbul
Tel. : 0212 533 52 55
E-mail: info@kalemakina.com

| No. | İl | Yetkili Servis | Adres | Telefon |
|-----|------------|-----------------------------------|---|----------------|
| 1 | Adana | Emin Elektrik Bobinaj | Kızılay Cad. 9. Sok. No: 9/D | 0322 351 80 46 |
| 2 | Afyon | Emek Motor | Karaman Mah. Gazlı Göl Cad. No: 15 | 0272 212 11 14 |
| 3 | Ağrı | Tamgüç Bobinaj | Kağızman Cad. No: 42 | 0472 215 70 41 |
| 4 | Ankara | Orhan Bobinaj | Yalınç Sok. No: 17 Siteler | 0312 385 92 92 |
| 5 | Ankara | Yiğit Bobinaj | 668. Sok. No: 8 Eminel Koop. İvedik / Ostim | 0312 395 05 37 |
| 6 | Antalya | E.B.A. Elektrik | San. Sit. 682. Sok. No: 38 | 0242 345 36 22 |
| 7 | Aydın | Saydam Motor Yedek Parça | Küçük San. Sit. Çubukçu Sok. No: 2/B Söke Aydın | 0256 512 81 91 |
| 8 | Bursa | Vokart | Gazcılar Cad. Erikli Bahçe Sok. No: 7/B | 0224 254 48 75 |
| 9 | Bursa | Vokart | Beşevler Küçük San. Sit. 47. Sok. Parkoop No: 67 Nilüfer | 0224 441 57 00 |
| 10 | Çanakkale | Kısacık Bobinaj | Namık Kemal Mah. Kaynak Sok. No: 41 | 0286 217 96 71 |
| 11 | Çanakkale | Ovalı Bobinaj | Hamdibey Mah. İstiklal Cad. No: 160 | 0286 316 49 66 |
| 12 | Çorum | Emek Bobinaj | Küçük San. Sit. 23. Cad. No: 5/C Cami Yanı | 0364 234 68 84 |
| 13 | Diyarbakır | Çetsan Elektrik | San. Sit. Karakol Sok. No: 1 | 0412 223 72 77 |
| 14 | Elazığ | Kalender Elektrik Bobinaj | San. Sit. 11. Sok. No: 46 | 0424 224 85 01 |
| 15 | Erzurum | Bursan Bobinaj | San. Sit. 5. Blok No: 135 | 0442 242 77 28 |
| 16 | Eskişehir | Escom Elektronik | Kırmızı Toprak Mah. Ali Fuat Güven Cad. No: 31/A | 0222 224 15 30 |
| 17 | Isparta | İzmir Bobinaj | Yeni San. Sit. 6. Blok No: 28 | 0246 223 70 11 |
| 18 | Mersin | Şekerler Elektrik Bobinaj | Nusratiye Mah. 5005 Sok. No: 20/A | 0324 336 70 98 |
| 19 | Mersin | Üniversal Bobinaj | Nusratiye Mah. Çiftçiler Cad. 68 Sok. No:19 | 0324 233 44 29 |
| 20 | İstanbul | Akel | Nato Yolu Cad. Özgün Sok. No: 1 Y. Dudullu | 0216 540 53 55 |
| 21 | İstanbul | Fırat Dış Ticaret | Tersane Cad. Kuthan No: 38 Kat: 3 Karaköy | 0212 252 93 43 |
| 22 | İstanbul | Kardeşler Bobinaj Elektrik | Çağlayan Mah. Sinanpaşa Cad. No: 5 Çağlayan | 0212 224 97 54 |
| 23 | İstanbul | Mert Elektrik | İkitelli Org. Demirciler San. Sit. D-2BL. No: 280 İkitelli | 0212 549 65 78 |
| 24 | İstanbul | SVS Teknik | Evlıya Çelebi Mah. İstasyon Cad. Gibtaş San. Sit. F Blok No: 24 Tuzla | 0216 446 69 39 |
| 25 | İstanbul | Orijinal Elektrik | Bağlar Mah. Mimar Sinan Cad. No: 24 Güneşli – Bağcılar | 0212 515 67 71 |
| 26 | İstanbul | Tarık Makina | Bağdat Cad. Adalı Sk. No: 8 Maltepe | 0216 370 21 11 |
| 27 | İzmir | Doruk Hırdavat | 1426 Sok. No: 14 Hurdacılar Sit. Doğanlar/Bornova | 0232 478 14 12 |
| 28 | İzmir | Boro Civata | 1203/2. Sok. No: 21/B Gıda Çarşısı Yenişehir | 0232 469 80 70 |
| 29 | İzmir | Çetin Bobinaj | Cüneyt Bey Mah. İbrahim Turan Cad. No: 98/A Menderes | 0232 782 10 84 |
| 30 | İzmir | Doruk Hırdavat | 1426 Sok. No: 14 Hurdacılar Sit. Doğanlar/Bornova | 0232 478 14 12 |
| 31 | Kastamonu | Mert Bobinaj | San. Çarşısı 4. Blok No: 35 | 0366 212 38 89 |
| 32 | Kayseri | Akın Elektrik Bobinaj | Eski San. Böl. 5. Cad. No: 8 | 0352 336 41 23 |
| 33 | Kocaeli | Gülsoy Bobinaj Makina | S.Orhan Mah. İlyasbey Cad. 1111 Sok. No: 5/1 Gebze | 0262 646 92 49 |
| 34 | Gebze | Teknik Karot | Gaziler Mah. İbrahimağa Cad. No: 125 | 0262 642 79 10 |
| 35 | Malatya | Özer Bobinaj | Yeni San. Sit. 2. Cad. No: 95 | 0422 336 39 53 |
| 36 | Muğla | Bodrum Makina | Türkkuyusu Mah. San. Sit. Ethem Demiröz Sok. No: 8 | 0252 316 28 51 |
| 37 | Muğla | General Elektrik Bobinaj | Taşyaka Mah. San. Sit. 260. Sok. No: 18 Fethiye | 0252 612 38 34 |
| 38 | Muğla | Öztürk Bobinaj İnşaat | Atakent Mah. Çevreyolu Üzeri | 0252 697 64 98 |
| 39 | Nevşehir | Çiftgüç | Yeni San. Sit. 8 Blok No: 28 | 0384 213 19 96 |
| 40 | Niğde | Emek Motor | Eski San. Çarşısı 1. BL. No: 2 Niğde | 0388 232 83 59 |
| 41 | Adapazarı | Engin Elektrik Bobinaj | Maltepe Mah. Orhan Gazi Cad. (Tek Yokuşu) Şehit Metin Akkuş Sok. No: 19 | 0264 291 05 67 |
| 42 | Sivas | Bayraktar Elektrik | Yeni Çarşı No: 72 C | 0346 221 47 55 |
| 43 | Tekirdağ | Birkan | Şeyh Sinan Mah. Ş. Pilot İhsan Aksoy Sok. Aksoy Pasajı No: 20/7-B | 0282 654 50 91 |
| 44 | Tokat | Çetin Elektrik Bobinaj | San. Sit. Cami Altı No: 22 | 0356 214 63 07 |
| 45 | Uşak | Zengin Bobinaj | İslice Mah. Ürem Sok. No: 10/C | 0276 227 27 46 |
| 46 | Van | Özen Elektrik Bobinaj | Alçekiç Pasajı No: 41 | 0432 214 22 20 |
| 47 | Zonguldak | Genel Elektromotor | Çınartepe Mah. T.T.K 69 Ambarları 4. Kısım | 0372 268 08 64 |
| 48 | Zonguldak | Tümen Bobinaj | Kışla San. Sit. D Blok No: 17 Kdz. Ereğli | 0372 323 74 97 |
| 49 | Yalova | Kale İnşaat | Hürriyet Mah. Eski Bursa Cad. No: 39 Altınova | 0226 461 22 43 |
| 50 | Düzce | Yıldız Makina | Burhaniye Mah. Gen. Kazım Sok. No: 10 | 0380 514 70 56 |

Partial support - Only parts shown available
 Nur die aufgeführten teile sind lieferbar
 Reparation partielle - Seules les pieces indiquees sont disponibles
 Supporto parziale - Sono disponibili soltanto le parti evidenziate
 Solo estan disponibles las peizas listadas
 So se encontram disponiveis as pecas listadas
 Gedeeltelijke ondersteuning - alleen de getoonde onderdelen
 zijn beschikbaar



Partial support - Only parts shown available
Nur die aufgeführten teile sind lieferbar
Reparation partielle - Seules les pieces indiquees sont disponibles
Supporto parziale - Sono disponibili soltanto le parti evidenziate
Solo estan disponibles las peizas listadas
So se encontram disponiveis as pecas listadas
Gedeeltelijke ondersteuning - alleen de getoonde onderdelen zijn beschikbaar

