

# RLC-823A 16X

The 16X varifocal lens enables the camera to fastly and accurately capture distant objects without affecting image quality. In addition, with 3D Zoom, the camera will automatically pan, tilt, and zoom in to focus on the area you select, no need for manual control step-by-step anymore.

## 1. Specs



1	Metal Aluminum Case
2	7 IR LEDs
3	High Definition Lens
4	Daylight Sensor



1	Micro SD Card Slot
---	--------------------



1	Power
2	Reset Button
3	Network
4	Waterproof Lid

## 2. Setup and Install

### Set up the Camera

#### What's in the Box

**Note:** The package content may vary and update with different version and platforms, please take the below information only for a reference. And the actual package content are subject to the latest information on the product selling page.

RLC-823A 16X



RLC-823A 16X\*1



1m Network Cable\*1



Quick Start Guide\*1



Surveillance Sticker\*1



Mounting Template \*1



Pack of Screws\*1



Waterproof Lid \*1



Power Adapter \*1



Wrench\*1



Wire Rope Anchor\*1

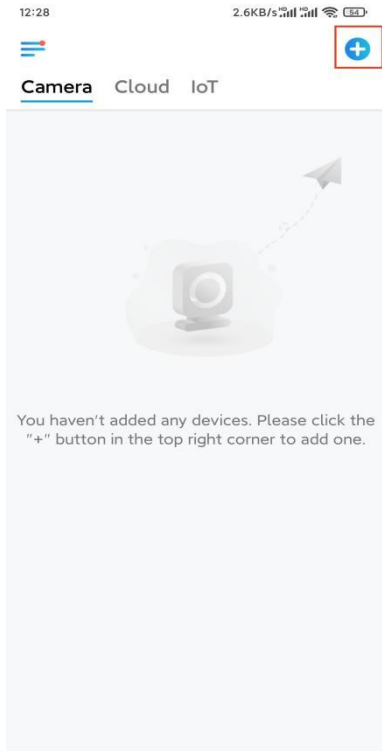


Pry Tool\*1

### Set up the Camera on the App

Here is a guide on how to initially set up the camera via Reolink App.

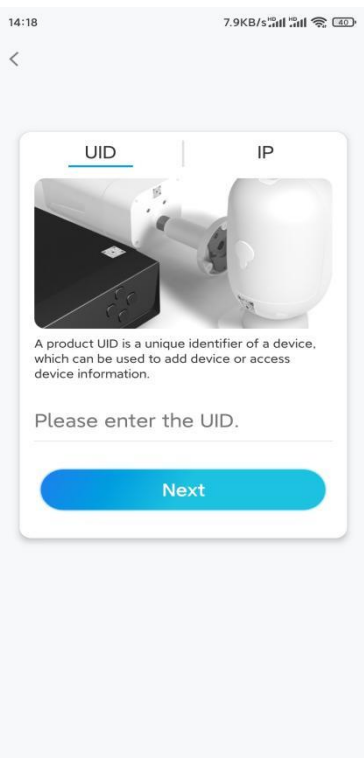
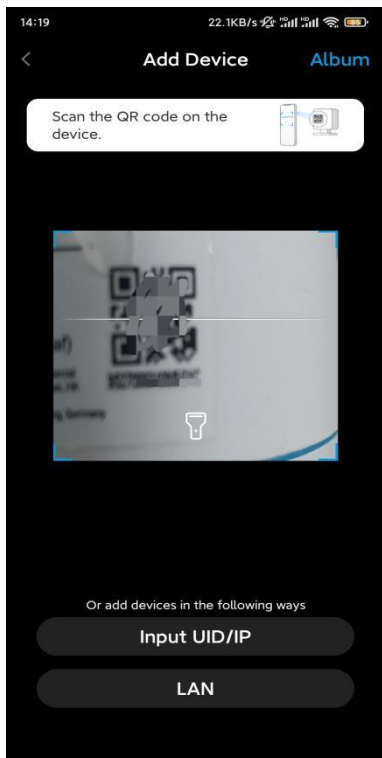
**Step 1.** Tap the icon  in the top right corner.



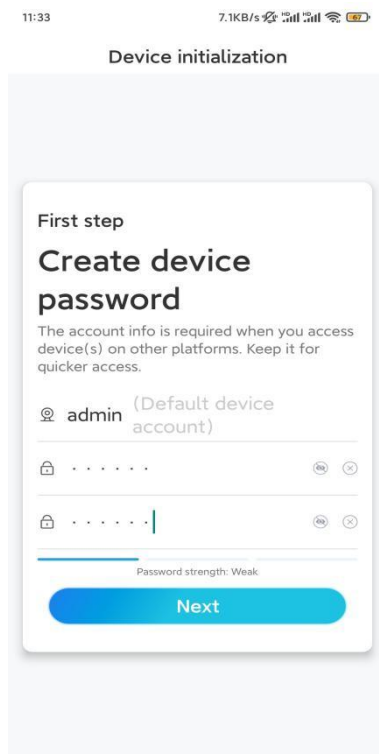
**Note:** If you've enabled the **Add Device Automatically** option on the App's Settings page, you can tap this device on the **Devices** page and turn to **Step 3** directly.

**Step 2.** Scan the QR code on the back of the camera. You may tap **Light** to enable a flashlight when setting up the camera in a dark environment.

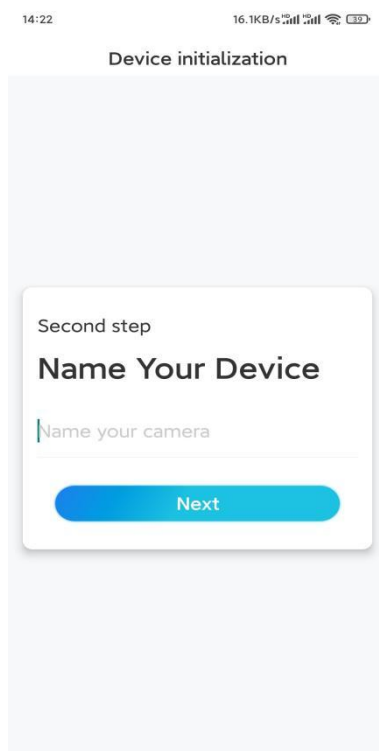
If the phone doesn't respond, please tap **Input UID/IP** and then manually type in the UID (16-digit characters under the QR code of the camera). Then tap **Next**.



**Step 3.** Create a login password for your camera. Then tap **Next**.



**Step 4.** Name your camera. Then tap **Next**.

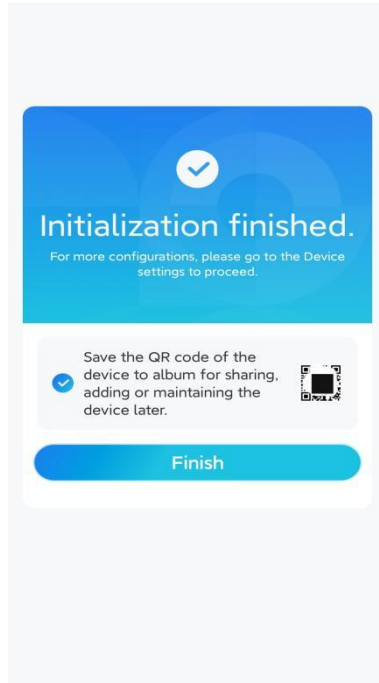


**Step 5.** Initialization finished! You can start live viewing now.

11:46

6.5KB/s

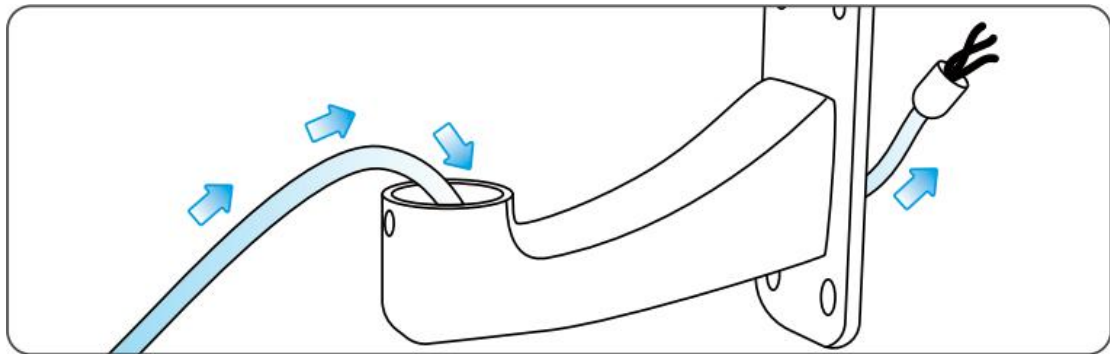
### Device initialization



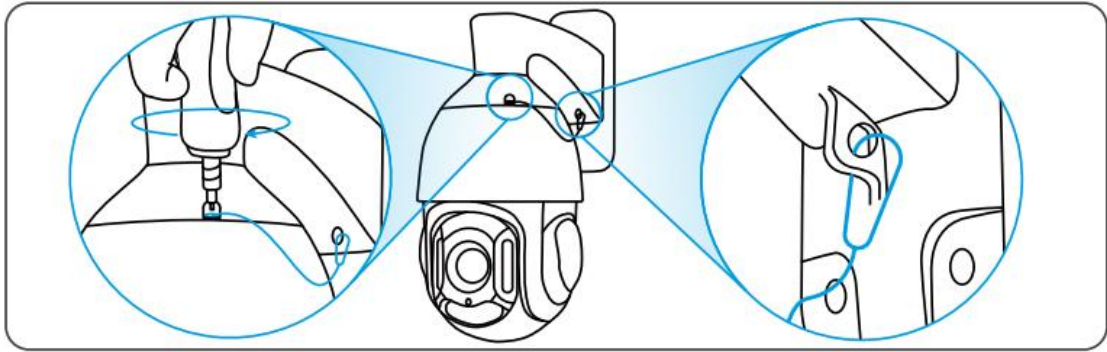
## Install the Camera

Please follow the steps below to install the camera.

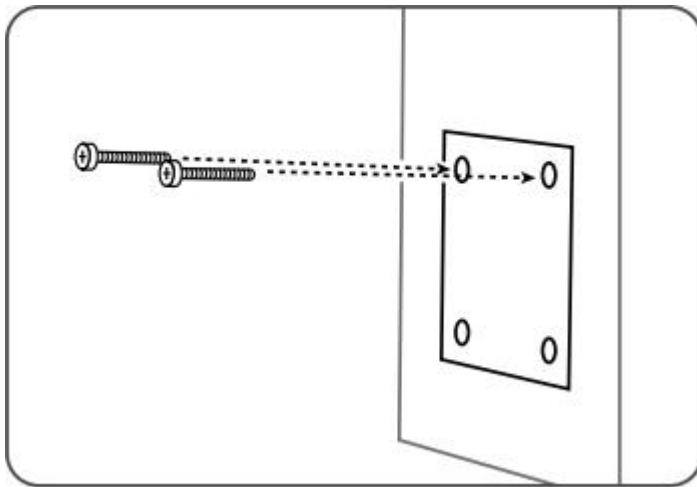
**Step 1.** Run the three-terminal wire through the bracket, and fasten the other end of the wire rope anchor to the bracket.



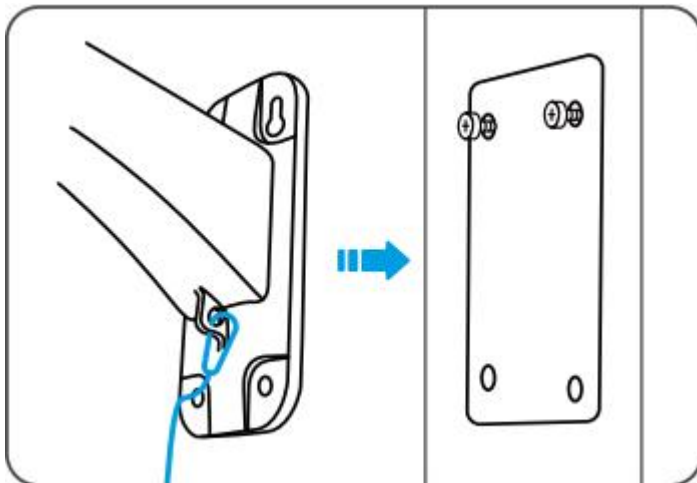
**Step 2.** Loosen a screw on the top of the camera and secure one end of the wire rope anchor to the camera.



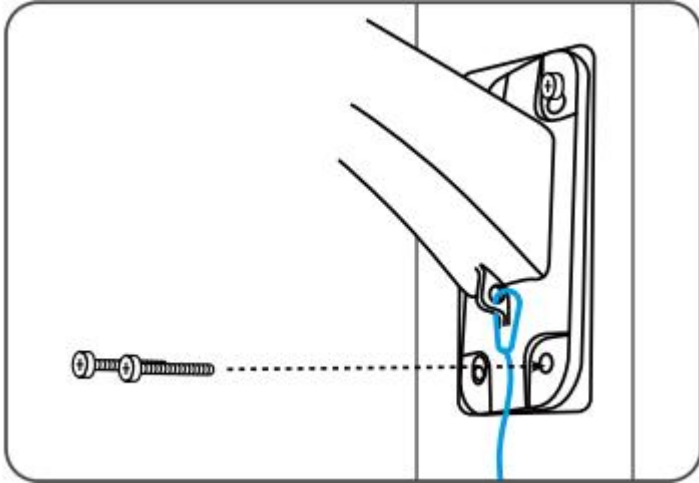
**Step 3.** Place the mounting template on the desired position of the wall and drill holes accordingly.



**Step 4.** Install two screws into the upper two holes and hang the bracket over them.



**Step 5.** Install another two screws into the lower two holes to secure the bracket.



**Step 6.** Screw the end of the bracket and secure the camera to it.

