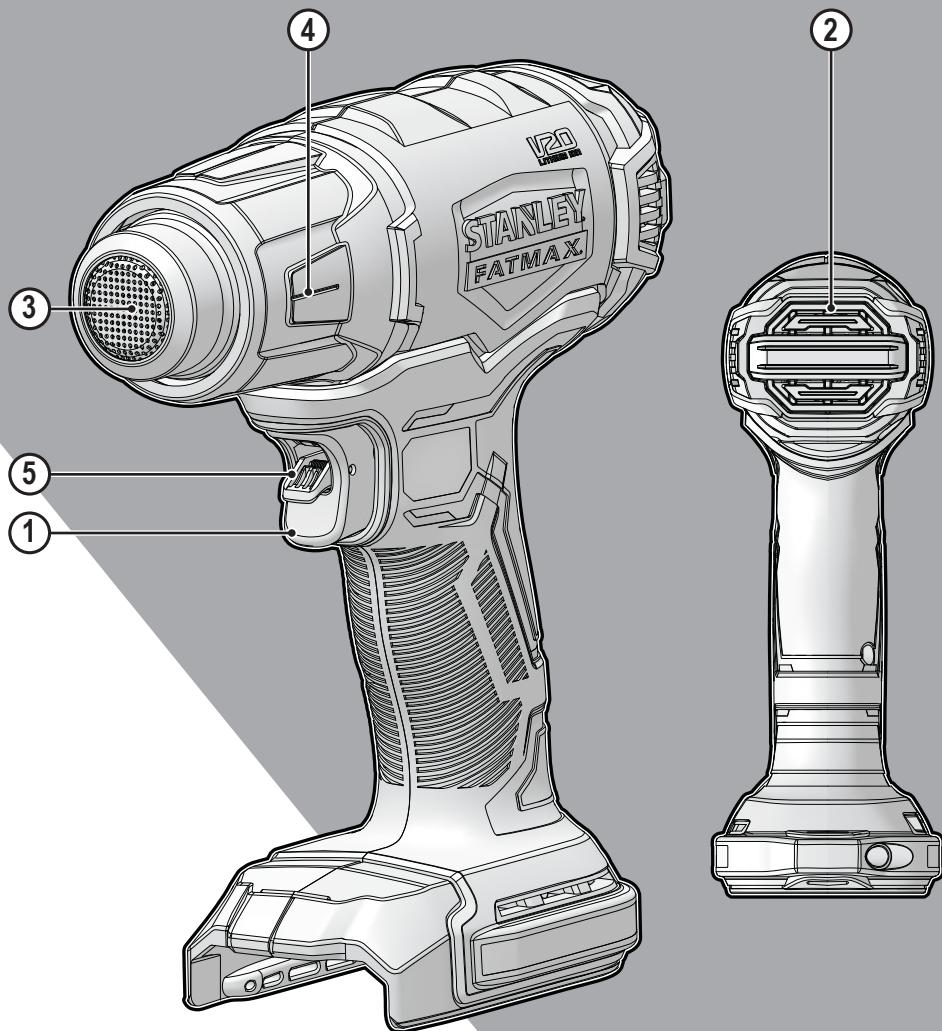


STANLEY[®]

FATMAX[®]

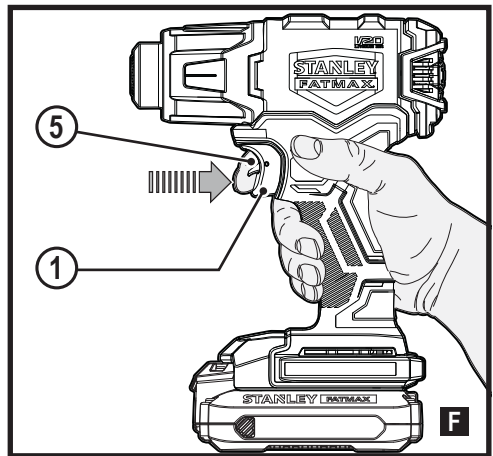
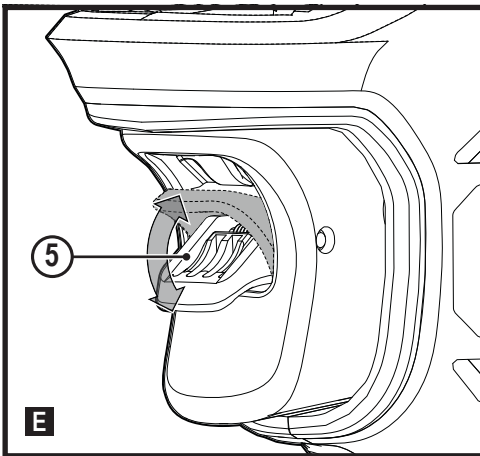
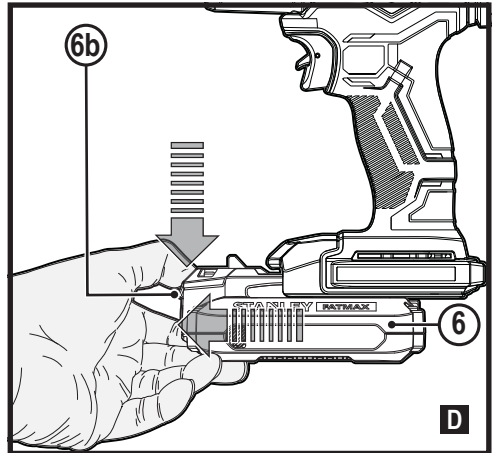
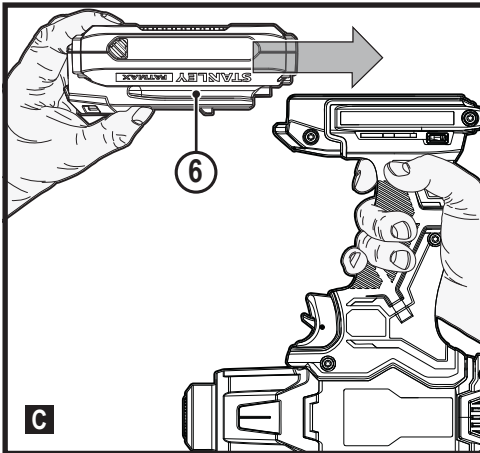
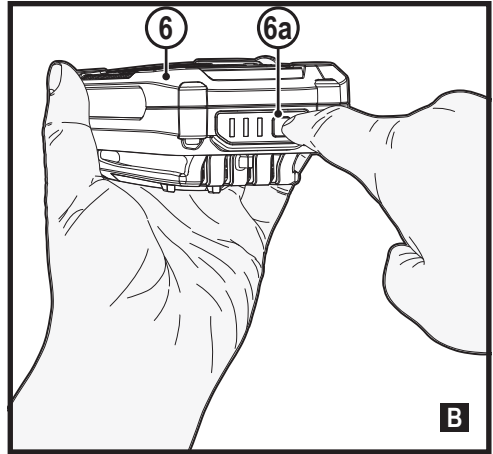
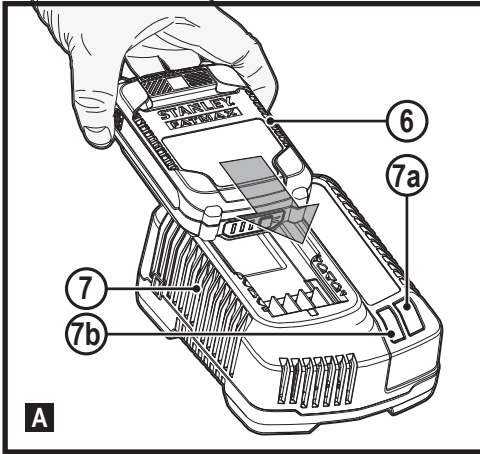
V20

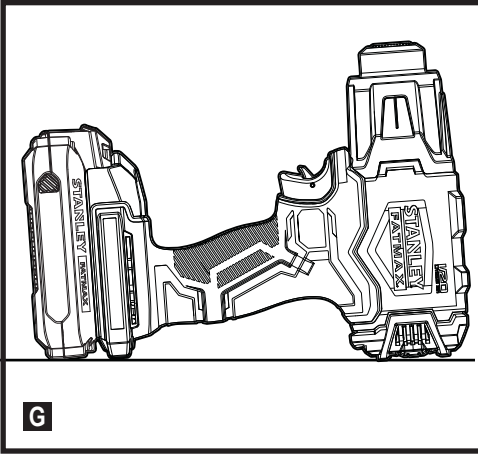
LITHIUM ION



www.stanley.uk

SFMCE530





Intended use

Your STANLEY FATMAX SFMCE530 heat gun has been designed for various heating applications such as paint stripping. This appliance is intended for professional and private, non-professional use only.

Safety instructions

General safety warnings

⚠ Warning! Read all safety warnings and all instructions.

Failure to follow the warnings and instructions may result in electric shock, fire and/or serious injury.

Save all warnings and instructions for future reference.

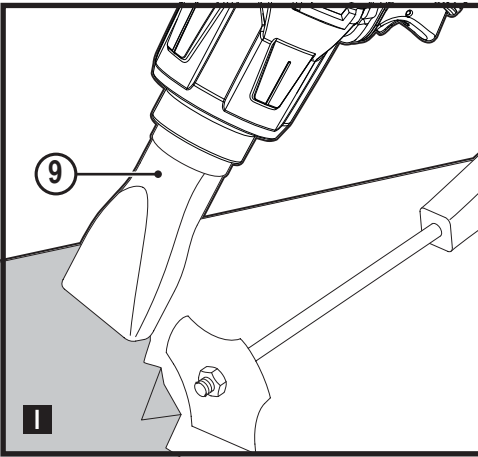
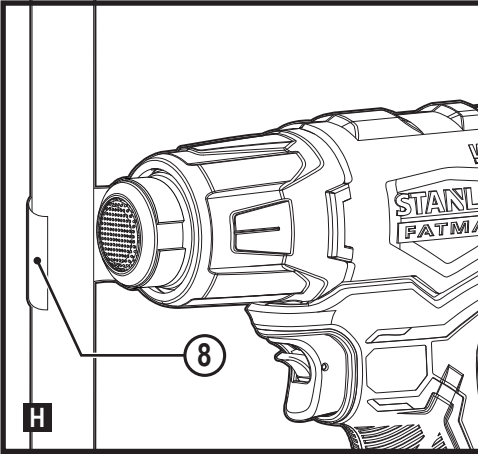
The term "power tool" in all of the warnings listed below refers to your mains operated (corded) power tool or battery operated (cordless) power tool.

1. Work area safety

- a. **Keep work area clean and well lit.**
Cluttered or dark areas invite accidents.
- b. **Do not operate power tools in explosive atmospheres, such as in the presence of flammable liquids, gases or dust.** Power tools create sparks which may ignite the dust or fumes.
- c. **Keep children and bystanders away while operating a power tool.**
Distractions can cause you to lose control.

2. Electrical safety

- a. **Power tool plugs must match the outlet. Never modify the plug in any way.**



Do not use any adapter plugs with earthed (grounded) power tools.

Unmodified plugs and matching outlets will reduce risk of electric shock.

b. Avoid body contact with earthed or grounded surfaces such as pipes, radiators, ranges and refrigerators.

There is an increased risk of electric shock if your body is earthed or grounded.

c. Do not expose power tools to rain or wet conditions. Water entering a power tool will increase the risk of electric shock.

d. Do not abuse the cord. Never use the cord for carrying, pulling or unplugging the power tool. Keep cord away from heat, oil, sharp edges or moving parts. Damaged or entangled cords increase the risk of electric shock.

e. When operating a power tool outdoors, use an extension cord suitable for outdoor use. Use of a cord suitable for outdoor use reduces the risk of electric shock.

f. If operating a power tool in a damp location is unavoidable, use a residual current device (RCD) protected supply. Use of an RCD reduces the risk of electric shock.

3. Personal safety

a. Stay alert, watch what you are doing and use common sense when operating a power tool.

Do not use a power tool while you are tired or under the influence of drugs, alcohol or medication. A moment of inattention while operating power tools may result in serious personal injury.

b. Use personal protective equipment. Always wear eye protection.

Protective equipment such as dust mask, non-skid safety shoes, hard hat, or hearing protection used for appropriate conditions will reduce personal injuries.

c. Prevent unintentional starting. Ensure the switch is in the off-position before connecting to power source and/or battery pack, picking up or carrying the tool. Carrying power tools with your finger on the switch or energising power tools that have the switch on invites accidents.

d. Remove any adjusting key or wrench before turning the power tool on.

A wrench or a key left attached to a rotating part of the power tool may result in personal injury.

e. Do not overreach. Keep proper footing and balance at all times. This enables better control of the power tool in unexpected situations.

f. Dress properly. Do not wear loose clothing or jewellery. Keep your hair, clothing and gloves away from moving parts. Loose clothes, jewellery or long hair can be caught in moving parts.

- g. If devices are provided for the connection of dust extraction and collection facilities, ensure these are connected and properly used.**

Use of dust collection can reduce dust-related hazards.

4. Power tool use and care

- a. Do not force the power tool. Use the correct power tool for your application.**

The correct power tool will do the job better and safer at the rate for which it was designed.

- b. Do not use the power tool if the switch does not turn it on and off.**

Any power tool that cannot be controlled with the switch is dangerous and must be repaired.

- c. Disconnect the plug from the power source and/or the battery pack from the power tool before making any adjustments, changing accessories, or storing power tools.**

Such preventive safety measures reduce the risk of starting the power tool accidentally.

- d. Store idle power tools out of the reach of children and do not allow persons unfamiliar with the power tool or these instructions to operate the power tool.** Power tools are dangerous in the hands of untrained users.

- e. Maintain power tools. Check for misalignment or binding of moving parts, breakage of parts and any other condition that may affect the power tools operation.**

If damaged, have the power tool repaired before use. Many accidents are caused by poorly maintained power tools.

- f. Keep cutting tools sharp and clean.**

Properly maintained cutting tools with sharp cutting edges are less likely to bind and are easier to control.

- g. Use the power tool, accessories and tool bits etc. in accordance with these instructions, taking into account the working conditions and the work to be performed. Use of the power tool for operations different from those intended could result in a hazardous situation.**

5. Battery tool use and care

- a. Recharge only with the charger specified by the manufacturer.** A charger that is suitable for one type of battery pack may create a risk of fire when used with another battery pack.

- b. Use power tools only with specifically designated battery packs.** Use of any other battery packs may create a risk of injury and fire.

- c. When battery pack is not in use, keep it away from other metal objects, like paper clips, coins, keys, nails, screws, or other small metal objects, that can make a connection from one terminal to another.** Shorting the battery terminals together may cause burns or a fire.

- d. Under abusive conditions, liquid may be ejected from the battery; avoid contact.**

If contact accidentally occurs, flush with water. If liquid contacts eyes, additionally seek medical help.

Liquid ejected from the battery may cause irritation or burns.

6. Service

a. Have your power tool serviced by a qualified repair person using only identical replacement parts. This will ensure that the safety of the power tool is maintained.

b. Never service damaged battery packs. Service of battery packs should only be performed by the manufacturer or authorized service providers.

Additional power tool safety warnings



Warning! Additional safety warnings for heat guns

Warning! Do not use outdoors, indoor use only.

Warning! This appliance is not intended for use by persons (including children) with reduced physical, sensory, or mental capabilities, or lack of experience or knowledge, unless they have been given supervision or instruction concerning use of the appliance by a person responsible for their safety.

Warning! Children should be supervised to ensure that they do not play with the appliance.

Warning! A fire may result if the appliance is not used with care, therefore be careful when using the appliance in places where there are combustible materials:

- ◆ Do not apply heat to the same place for a long time;
- ◆ Do not use in presence of an explosive atmosphere;
- ◆ Be aware that heat may be conducted to combustible materials that are out of sight.
- ◆ Do not leave the appliance unattended when it is switched on.
- ◆ Do not obstruct either the air intake slots or the nozzle outlet as this may cause excessive heat build up resulting in damage to the appliance.
- ◆ Do not direct the hot air flow at other people or animals.
- ◆ Do not touch the nozzle as it becomes very hot during use and remains hot for up to 30 minutes after use.
- ◆ Do not place the nozzle against any object during or immediately after use.
- ◆ Do not poke anything down the nozzle as it could give you an electric shock.
- ◆ Do not look down the nozzle while the appliance is switched on.
- ◆ Do not use the appliance as a hairdryer! The air temperature is far higher than a hairdryer.
- ◆ Do not use this tool to heat food.
- ◆ Ensure adequate ventilation during use as toxic fumes may be produced.
- ◆ Do not use the appliance in a damp atmosphere.
- ◆ When stripping paint, ensure that the work area is enclosed. Wear a dust mask specifically designed for protection against lead paint dust and fumes and ensure that persons within or entering the work area are also protected.

- ◆ Do not burn paint, as it could cause a fire hazard.
- ◆ Do not allow paint to adhere to the nozzle as it could ignite after some time.
- ◆ Switch off the appliance and allow it to cool before fitting any accessory.

Persons removing paint should always follow these guidelines:

Warning! Extreme care should be taken when stripping paint. The peelings, residue and vapors of paint may contain lead, which is poisonous. Any pre-1977 paint may contain lead and paint applied to homes prior to 1950 is likely to contain lead. Once deposited on surfaces, hand to mouth contact can result in the ingestion of lead.

Exposure to even low levels of lead can cause irreversible brain and nervous system damage; young and unborn children are particularly vulnerable. Before beginning any paint removal process you should determine whether the paint you are removing contains lead. This can be done by your local health department or by a professional who uses a paint analyzer to check the lead content of the paint to be removed.

LEAD-BASED PAINT SHOULD ONLY BE REMOVED BY A PROFESSIONAL AND SHOULD NOT BE REMOVED USING A HEAT GUN.

Persons removing paint should follow these guidelines:

- ◆ **Move the workpiece outdoors.**

If this is not possible, keep the work area well ventilated. Open the windows and put an exhaust fan in one of them. Be sure the fan is moving the air from inside to outside.

- ◆ **Remove or cover any carpets, rugs, furniture, clothing, cooking utensils and air ducts.**
- ◆ **Place drop cloths in the work area to catch any paint chips or peelings.** Wear protective clothing such as extra work shirts, overalls and hats.
- ◆ **Work in one room at a time.** **Furnishings should be removed or placed in the center of the room and covered. Work areas should be sealed off from the rest of the dwelling by sealing doorways with drop cloths.**
- ◆ **Children, pregnant or potentially pregnant women and nursing mothers should not be present in the work area until the work is done and all clean up is complete.**
- ◆ **Wear a dust respirator mask or a dual filter (dust and fume) respirator mask. Be sure the mask fits.** Beards and facial hair may keep masks from sealing properly. Change filters often. **DISPOSABLE PAPER MASKS ARE NOT ADEQUATE.**
- ◆ **Use caution when operating the heat gun.** Keep the heat gun moving as excessive heat will generate fumes which can be inhaled by the operator.
- ◆ **Keep food and drink out of the work area.**

- Wash hands, arms and face and rinse mouth before eating or drinking.** Do not smoke or chew gum or tobacco in the work area.
- ◆ **Clean up all removed paint and dust by wet mopping the floors. Use a wet cloth to clean all walls, sills and any other surface where paint or dust is clinging. DO NOT SWEEP, DRY DUST OR VACUUM.** Use a high phosphate detergent or trisodium phosphate (TSP) to wash and mop areas.
 - ◆ **At the end of each work session put the paint chips and debris in a double plastic bag, close it with tape or twist ties and dispose of properly.**
 - ◆ **Remove protective clothing and work shoes in the work area to avoid carrying dust into the rest of the dwelling. Wash work clothes separately. Wipe shoes off with a wet rag that is then washed with the work clothes.**
Wash hair and body thoroughly with soap and water.

Residual risks.

Additional residual risks may arise when using the tool which may not be included in the enclosed safety warnings. These risks can arise from misuse, prolonged use etc.

Even with the application of the relevant safety regulations and the implementation of safety devices, certain residual risks can not be avoided.

These include:

- ◆ Injuries caused by touching any rotating/moving parts.
- ◆ Injuries caused when changing any parts, blades or accessories.
- ◆ Injuries caused by prolonged use of a tool. When using any tool for prolonged periods ensure you take regular breaks.
- ◆ Impairment of hearing.
- ◆ Health hazards caused by breathing dust developed when using your tool (example:- working with wood, especially oak, beech and MDF.)

Labels on tool

The following pictograms are shown on the tool along with the date code:



Warning! Read all safety warnings and all instructions.

Failure to follow the warnings and instructions listed below may result in electric shock, fire and/or serious injury.



Switch the tool off. Before performing any maintenance on the tool, remove the battery from the tool.

Additional safety instructions for batteries and chargers

Batteries (Not Supplied)

- ◆ Never attempt to open for any reason.
- ◆ Do not expose the battery to water.
- ◆ Do not store in locations where the temperature may exceed 40 °C.

- ◆ Charge only at ambient temperatures between 10 °C and 40 °C.
- ◆ Charge only using the charger provided with the tool.
- ◆ When disposing of batteries, follow the instructions given in the section "Protecting the environment".



Do not attempt to charge damaged batteries.

Chargers (Not Supplied)

- ◆ Use your STANLEY FATMAX charger only to charge the battery in the tool with which it was supplied. Other batteries could burst, causing personal injury and damage.
- ◆ Never attempt to charge non-rechargeable batteries.
- ◆ Have defective cords replaced immediately.
- ◆ Do not expose the charger to water.
- ◆ Do not open the charger.
- ◆ Do not probe the charger.



The charger is intended for indoor use only.



Read the instruction manual before use.

Electrical safety



Your charger is double insulated; therefore no earth wire is required. Always check that the mains voltage corresponds to the voltage on the rating plate. Never attempt to replace the charger unit with a regular mains plug.

- ◆ If the supply cord is damaged, it must be replaced by the manufacturer or an authorised STANLEY FATMAX Service Centre in order to avoid a hazard.

Features

This tool includes some or all of the following features.

1. On/off trigger switch
2. Air vents
3. Nozzle
4. Heat barrel cover
5. Lock off

Use

Warning! Let the tool work at its own pace. Do not overload.

Charging the battery (Not Supplied) (Fig. A)

The battery needs to be charged before first use and whenever it fails to produce sufficient power on jobs that were easily done before.

The battery may become warm while charging; this is normal and does not indicate a problem.

Warning! Do not charge the battery at ambient temperatures below 10 °C or above 40 °C. Recommended charging temperature: approx. 24 °C.





Note: The charger will not charge a battery if the cell temperature is below approximately 10 °C or above 40 °C. The battery should be left in the charger and the charger will begin to charge automatically when the cell temperature warms up or cools down.

Note: To ensure maximum performance and life of lithium-ion battery packs, charge the battery pack fully before first use.

- ◆ Plug the charger (7) into an appropriate outlet before inserting battery pack (6).
- ◆ The green charging light (7a) will blink continuously indicating that the charging process has started.
- ◆ The completion of charge will be indicated by the green charging light (7a) remaining ON continuously. The battery pack (6) is fully charged and may be removed and used at this time or left in the charger (7).
- ◆ Charge discharged batteries within 1 week. Battery life will be greatly diminished if stored in a discharged state.

Charger LED Modes

	<p>Charging: Green LED Intermittent</p>	
--	--	--

	Fully Charged: Green LED Solid	
	Hot/Cold Pack Delay: Green LED Intermittent Red LED Solid	

Note: The compatible charger(s) will not charge a faulty battery pack. The charger will indicate a faulty battery pack by refusing to light.

Note: This could also mean a problem with a charger. If the charger indicates a problem, take the charger and battery pack to be tested at an authorized service centre.

Leaving the battery in the charger

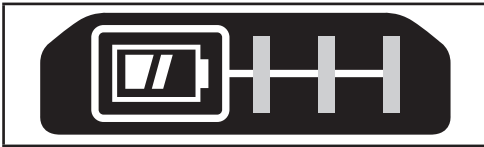
The charger and battery pack can be left connected with the LED glowing indefinitely. The charger will keep the battery pack fresh and fully charged.

Hot/Cold Pack Delay

When the charger detects a battery that is too hot or too cold, it automatically starts a Hot/Cold Pack Delay, the green LED (7a) will flash intermittently, while the red LED (7b) will remain on continuously, suspending charging until the battery has reached an appropriate temperature. The charger then automatically switches to the pack charging mode. This feature ensures maximum battery life.

Battery state of charge indicator (Fig. B)

The battery includes a state of charge indicator to quickly determine the extent of battery life as shown in figure B. By pressing the state of charge button (6a) you can easily view the charge remaining in the battery as illustrated in figure B.



Installing and Removing the Battery Pack (Not Supplied) from the tool

To install battery pack (Fig. C)

- ◆ Insert battery pack (6) firmly into tool until an audible click is heard as shown in figure C. Ensure battery pack is fully seated and fully latched into position.

To remove battery pack (Fig. D)

- ◆ Depress the battery release button (6b) as shown in figure D and pull battery pack (6) out of tool.

Prior to Operation

Warning! Make sure the nozzle always points away from you and any bystanders.

Warning! DO NOT drop anything into the nozzle.

Warning! DO NOT exceed 60 minutes "ON" in a 2 hour period.

Switching on and off (Fig. E, F)

- ◆ To power on the tool, flip lock-off (5) upwards and depress the trigger (1).
- ◆ To turn the unit off release the trigger.

Note: Disconnect the tool from the power source and let the tool cool down before moving or storing it.

Correct hand position (Fig. F)

Warning! To reduce the risk of serious personal injury, ALWAYS use proper hand position as shown.

Warning! To reduce the risk of serious personal injury, ALWAYS hold securely in anticipation of a sudden reaction.

Proper hand position requires one hand on the main handle as illustrated in figure F.

Cool down period (Fig. G)

The nozzle and accessory becomes very hot during use. Turn heat gun off, disconnect from the power source, place in position shown in Fig.G, and let the tool cool down for at least 30 minutes before moving or storing it.

Removing paint

Warning! Refer to Important Notice under Additional Safety Information before using the tool to remove paint.

Warning! Do not strip metal window frames as the heat may crack the glass.

- ◆ When stripping other window frames, use a glass protection nozzle.
- ◆ To prevent igniting the surface, do not keep the tool directed at one spot too long.
- ◆ Avoid collecting paint on the scraper accessory, as it may ignite. If necessary, carefully remove paint debris from the scraper accessory using a knife.
- ◆ Attach the appropriate accessory.
- ◆ To power on the tool, flip lock-off (5) upwards and depress the trigger 1 .
- ◆ Direct the hot air onto the paint to be removed. Best results will be achieved if the heat gun is moved slowly, but CONSTANTLY, from side to side to evenly distribute heat. DO NOT LINGER OR PAUSE IN ONE SPOT.
- ◆ When the paint softens, scrape the paint away using a hand scraper.

Note: Splinters and small particles of stripped paint can be ignited and blown through holes and cracks in the surface being stripped.

Accessories

Warning! Since accessories, other than those offered by STANLEY FATMAX, have not been tested with this product, use of such accessories with this tool could be hazardous. To reduce the risk of injury, only STANLEY FATMAX recommended accessories should be used with this product. Recommended accessories for use with your tool are available at extra cost from your local dealer or authorized service center.

This tool is supplied with a set of accessories for different applications.

Reflector nozzle or hook nozzle (8) (Fig. H)

Heat shrink sleeve, reflecting heat around item. Avoids excess heat, burning or damaging surface behind workpiece.

75mm fish tail surface nozzle (9) (Fig. I)

Drying, removing paint, removing vinyl or linoleum, thawing (heat spread over wide area).

Maintenance

Your STANLEY FATMAX tool has been designed to operate over a long period of time with a minimum of maintenance. Continuous satisfactory operation depends upon proper tool care and regular cleaning.

Your charger does not require any maintenance apart from regular cleaning.

Warning! Before performing any maintenance on the tool, remove the battery from the tool. Unplug the charger before cleaning it.

- ◆ Regularly clean the ventilation slots in your tool and charger using a soft brush or dry cloth.
- ◆ Regularly clean the motor housing using a damp cloth.
- ◆ Do not use any abrasive or solvent-based cleaner.

Protecting the environment



Separate collection. Products and batteries marked with this symbol must not be disposed of with normal household waste.

Products and batteries contain materials that can be recovered or recycled reducing the demand for raw materials. Please recycle electrical products and batteries according to local provisions. Further information is available at www.2helpU.com

Technical data

SFMCE530 typ. 1		
Voltage	V _{ac}	18
Power input	W	360
Temperature range	°C	510
Weight	Kg	0.53

This tool is a Bare unit but can be used with the chargers in the following table.

Charger		SFMCB14** typ. 1
Input Voltage	V _{ac}	230
Output Voltage	V _{ac}	18
Current	A	4

This tool is a Bare unit but can be used with the batteries in the following table.

Battery		SFMCB201	SFMCB202	SFMCB204	SFMCB206
Voltage	V _{ac}	18	18	18	18
Capacity	Ah	1.5	2.0	4.0	6.0
Type		Li-Ion	Li-Ion	Li-Ion	Li-Ion
Approx. Charge time	min.	22	30	60	90

Warning! Your STANLEY FATMAX charger can only be used to charge STANLEY FATMAX, Li-Ion batteries.

Guarantee

STANLEY FATMAX is confident of the quality of its products and offers consumers a 12 month guarantee from the date of purchase. This guarantee is in addition to and in no way prejudices your statutory rights. The guarantee is valid within the territories of the Member States of the European Union and the European Free Trade Area.

To claim on the guarantee, the claim must be in accordance with STANLEY FATMAX Terms and Conditions and you will need to submit proof of purchase to the seller or an authorised repair agent. Terms and conditions of the STANLEY FATMAX 1 year guarantee and the location of your nearest authorised repair agent can be obtained on the Internet at www.2helpU.com, or by contacting your local STANLEY FATMAX office at the address indicated in this manual.

Please visit our website www.stanley.eu/3 to register your new STANLEY FATMAX product and receive updates on new products and special offers.

Назначение

Ваш пистолет горячего воздуха STANLEY FATMAX SFMCE530 предназначен для выполнения разнообразных работ, связанных с разогревом, например, для удаления лакокрасочных покрытий. Данный инструмент предназначен как для профессионального, так и для бытового использования частными пользователями.

Правила техники безопасности

Общие меры предосторожности по технике безопасности



Внимание! Полностью прочтите инструкции по технике безопасности и все руководства по эксплуатации.

Несоблюдение правил и инструкций может привести к поражению электрическим током, возгоранию и/или тяжелым травмам.

Сохраните все инструкции для последующего обращения к ним.

Термин «электроинструмент» во всех приведенных ниже предупреждениях относится к питаемому от электросети (проводному) или от аккумуляторных батарей (беспроводному) электроинструменту.

1. Безопасность на рабочем месте

а. Содержите рабочее место в чистоте и обеспечьте его хорошую освещенность. Плохое освещение или беспорядок на рабочем месте может привести к несчастному случаю.

б. Не используйте

электроинструмент во взрывоопасной атмосфере, например, при наличии горючих жидкостей, газов или пыли.

Искры, которые появляются при работе электроинструмента, могут привести к воспламенению пыли или паров.

с. Не разрешайте детям и посторонним лицам находиться рядом с вами при работе с электроинструментом. Отвлекаясь от работы, вы можете потерять контроль над инструментом.

2. Электробезопасность

а. Сетевые вилки

электроинструмента должны соответствовать розеткам. Никогда не меняйте вилку инструмента. Запрещается использовать переходники к вилкам для электроинструментов с заземлением. Использование оригинальных штепсельных вилок, соответствующих типу сетевой розетки, снижает риск поражения электрическим током.

б. Следует избегать контакта с заземленными поверхностями, такими как трубы, радиаторы, батареи и холодильники. Если вы будете заземлены, увеличивается риск поражения электрическим током.

с. Не допускайте нахождения электроинструментов под дождем или в условиях повышенной

влажности. При попадании воды в электроинструмент риск поражения электротоком возрастает.

- d. Бережно обращайтесь с кабелем питания. Никогда не используйте кабель для переноски электроинструмента, не тяните за него, пытайтесь отключить инструмент от сети. Держите кабель подальше от источников тепла, масла, острых углов или движущихся предметов.**

Поврежденный или запутанный кабель питания повышает риск поражения электрическим током.

- e. При работе с электроинструментом вне помещения необходимо пользоваться удлинителем, рассчитанным на эксплуатацию в соответствующих условиях.**

Использование кабеля питания, предназначенного для использования вне помещения, снижает риск поражения электрическим током.

- f. При необходимости эксплуатации электроинструмента в местах с повышенной влажностью используйте устройство защитного отключения (УЗО).**

Использование УЗО снижает риск поражения электрическим током.

- 3. Обеспечение индивидуальной безопасности**

- a. При работе с электроинструментом сохраняйте**

бдительность, действуйте внимательно и руководствуйтесь здравым смыслом. Не работайте с электроинструментом, если вы устали, находитесь в состоянии наркотического, алкогольного опьянения или под воздействием лекарственных препаратов.

Невнимательность при работе с электроинструментами может привести к серьезным травмам.

- b. Используйте средства индивидуальной защиты. Всегда надевайте защитные очки.**

Использование при работе таких средств защиты, как пылезащитная маска, обувь с нескользящей подошвой, каска и защитные наушники снижает риск травм.

- c. Примите меры для предотвращения случайного включения. Перед тем как подключить электроинструмент к сети и/или аккумуляторной батарее, взять инструмент или перенести его в другое место, убедитесь в том, что выключатель находится в положении «Выкл.». Если при переноске электроинструмент остается подключен к сети, и при этом ваш палец находится на выключателе, это может привести к несчастному случаю.**

- d. Уберите все регулировочные или гаечные ключи перед включением электроинструмента. Ключ, оставленный на**

вращающейся части электроинструмента, может травмировать.

e. Не пытайтесь дотянуться до слишком удаленных поверхностей. Всегда твердо стойте на ногах, сохраняя равновесие. Это позволит лучше контролировать электроинструмент в непредвиденных ситуациях.

f. Надевайте подходящую одежду. Не носите свободную одежду и ювелирные украшения. Следите за тем, чтобы волосы и одежда не попадали под движущиеся детали. Возможно наматывание элементов одежды, ювелирных изделий и длинных волос на движущиеся детали.

g. При наличии устройств для подключения оборудования для удаления и сбора пыли необходимо обеспечить правильность их подключения и эксплуатации. Использование устройства для пылеудаления снижает риски, связанные с пылью.

4. Эксплуатация электроинструмента и уход за ним

a. Избегайте чрезмерной нагрузки электроинструмента. Используйте электроинструмент в соответствии с назначением. Правильно подобранный электроинструмент выполнит работу более эффективно и безопасно при

стандартной нагрузке.

b. Не используйте электроинструмент, если не работает его выключатель. Любой электроинструмент, управляемый выключением и включением которого невозможно, опасен и подлежит ремонту.

c. Перед выполнением любой регулировки, заменой дополнительных принадлежностей или хранением электроинструмента отключите инструмент от сети или извлеките батарею из инструмента. Такие превентивные меры безопасности снижают вероятность случайного включения электроинструмента.

d. Храните электроинструмент в недоступном для детей месте и не позволяйте работать с инструментом людям, не имеющим соответствующих навыков работы с такого рода инструментами.

Электроинструмент представляет опасность в руках неопытных пользователей.

e. Проводите обслуживание электроинструментов. Проверьте движущиеся детали на точность совмещения или заклинивание, наличие поломок или каких-либо других условий, которые могут повлиять на эксплуатацию электроинструмента. В случае обнаружения повреждений, прежде чем приступить к

- эксплуатации электроинструмента, его следует отремонтировать.** Большинство несчастных случаев происходит по причине отсутствия должного обслуживания электроинструмента.
- f. Необходимо содержать режущий инструмент в остро заточенном и чистом состоянии.** Вероятность заклинивания инструмента, за которым следят должным образом и который хорошо заточен, значительно меньше, и работать с ним легче.
- g. Используйте данный электроинструмент, а также дополнительные принадлежности и насадки в соответствии с данными инструкциями и с учетом условий и специфики работы.** Использование электроинструмента для выполнения операций, для которых он не предназначен, может привести к опасной ситуации.
- 5. Использование инструментов с аккумуляторами и уход за ними**
- a. Используйте для зарядки аккумуляторной батареи только указанное производителем зарядное устройство.** Использование зарядного устройства определенного типа для зарядки других аккумуляторных батарей может быть огнеопасно.
- b. Используйте для электроинструмента только батареи указанного типа.** Использование других аккумуляторных батарей может привести к травмам и пожару.
- c. Избегайте попадания внутрь батареи скрепок, монет, ключей, гвоздей, болтов или других мелких металлических предметов, которые могут вызывать замыкание ее контактов.** Короткое замыкание контактов батареи может привести к возгоранию или ожогам.
- d. При повреждении батареи, из нее может вытечь электролит; избегайте контакта с ним. При случайном контакте с электролитом смойте его водой. При попадании электролита в глаза обратитесь за медицинской помощью.** Жидкость, находящаяся внутри батареи, может вызвать раздражение или ожоги.
- 6. Сервисное обслуживание**
- a. Обслуживание электроинструмента должно выполняться только квалифицированным техническим персоналом.** Это позволит обеспечить безопасность обслуживаемого электроинструмента.
- b. Не выполняйте обслуживание поврежденных аккумуляторных батарей. Обслуживание аккумуляторных батарей должно**

выполняться только производителем или авторизованными поставщиками услуг.

Дополнительные правила техники безопасности при работе с электроинструментом



Внимание! Дополнительные правила техники безопасности для пистолетов горячего воздуха

Внимание! Только для использования внутри помещений. Не используйте инструмент на улице.

Внимание! Данный инструмент не предназначен для использования лицами (включая детей) с ограниченными физическими, сенсорными или умственными способностями, а также лицами без достаточного опыта и знаний, если только они не делают этого под руководством лица имеющего соответствующий опыт и отвечающего за их безопасность.

Внимание! Не позволяйте детям играть с данным инструментом.

Внимание! Неосторожное использование инструмента может привести к пожару. Будьте особенно внимательны при использовании инструмента в местах нахождения горячих материалов:

- ◆ Не направляйте поток горячего воздуха в одно и то же место в течение длительного времени;
- ◆ Не используйте во взрывоопасной

среде;

- ◆ Помните, что высокая температура может воздействовать на возгораемые материалы, находящиеся за пределами видимости.
- ◆ Не оставляйте включенный инструмент без присмотра.
- ◆ Не закрывайте отверстия входа воздуха и выпускное отверстие сопла – это может привести к чрезмерному повышению температуры и, как следствие, к повреждению инструмента.
- ◆ Ни в коем случае не направляйте поток горячего воздуха на окружающих вас людей и животных.
- ◆ Ни в коем случае не дотрагивайтесь до сопла: в процессе работы оно очень сильно нагревается и остается горячим в течение 30 минут по ее окончании.
- ◆ Не прислоняйте ни к чему сопло в процессе работы или сразу же по ее окончании.
- ◆ Ни в коем случае не вставляйте в сопло никакие предметы - это может привести к поражению электрическим током.
- ◆ Ни в коем случае не заглядывайте в сопло работающего инструмента.
- ◆ Ни в коем случае не используйте инструмент в качестве фена для сушки волос! Температура воздуха намного превышает температуру бытового фена.
- ◆ Не используйте данный инструмент для разогрева продуктов питания.

- ◆ Обеспечьте достаточную вентиляцию, так как во время работы могут образоваться токсичные испарения.
- ◆ Не используйте инструмент во влажной среде.
- ◆ При удалении краски позаботьтесь об ограждении рабочего места. Надевайте респиратор, специально разработанный для защиты от пыли и испарений свинцовых красок, и следите, чтобы лица, находящиеся в рабочей зоне, также были обеспечены средствами индивидуальной защиты.
- ◆ Не сжигайте краску – это может привести к возникновению пожара.
- ◆ Не позволяйте краске налипать на сопло или скребок, так как она может воспламениться через некоторое время.
- ◆ Перед установкой насадки, выключите инструмент и дождитесь его полного охлаждения.

Персонал, удаляющий краску, должен всегда соблюдать данные указания:

Внимание! Соблюдайте особую осторожность при удалении краски. Осыпания, остатки и пары краски могут содержать ядовитый для людей свинец. Любая краска, произведенная до 1977 года, может содержать свинец. Краска домов до 1950 года скорее всего содержит свинец. При оседании на поверхности, контакт руки и рта может привести к попаданию

свинца внутрь. Отравление даже незначительным количеством свинца может привести к необратимым повреждениям мозга и нервной системы. Наибольшую опасность отравление свинцом представляет для детей и беременных женщин. Перед выполнением любой работы по удалению краски, необходимо определить, содержит ли удаляемая краска свинец. Это может сделать местный здравотдел или специалист с использованием анализатора краски, для проверки содержания свинца в удаляемой краске. **КРАСКИ НА ОСНОВЕ СВИНЦА ДОЛЖНЫ УДАЛЯТЬСЯ ТОЛЬКО СПЕЦИАЛИСТОМ И НЕ ДОЛЖНЫ УДАЛЯТЬСЯ ПИСТОЛЕТОМ ГОРЯЧЕГО ВОЗДУХА.**

Персонал, удаляющий краску, должен соблюдать данные указания:

- ◆ **Переместите заготовку вне помещения.** Если это невозможно, обеспечьте достаточную вентиляцию рабочего места. Откройте окна и поставьте в одно из них вытяжной вентилятор. Убедитесь, что вентилятор вытягивает воздух из помещения наружу.
- ◆ **Уберите или закройте ковры, коврики, мебель, одежду, кухонные принадлежности и воздухопроводы.**
- ◆ **Покройте рабочее место защитной пленкой, чтобы собрать любые кусочки или отслоения**

- краски. Носите защитную одежду, например, дополнительные рабочие рубашки, комбинезоны и шапки.
- ♦ **Работайте в одной комнате за раз. Мебель следует убрать или поместить в центр комнаты и закрыть. Запечатайте дверь защитной пленкой, чтобы рабочее место было закрыто должным образом от остальной жилой площади.**
 - ♦ **Дети, беременные или возможно беременные, кормящие женщины не должны находиться на рабочем месте, пока работа не выполнена и помещение не очищено полностью.**
 - ♦ **Надевайте пылезащитную респираторную маску или респираторную маску с двойным фильтром (пыль и испарения). Убедитесь, что маска надежно закреплена на лице. Усы и борода могут помешать правильному креплению маски. Часто заменяйте фильтры. НЕ ИСПОЛЬЗУЙТЕ ОДНОРАЗОВЫЕ БУМАЖНЫЕ МАСКИ.**
 - ♦ **Соблюдайте осторожность при использовании пистолета горячего воздуха. Не задерживайте пистолет горячего воздуха на одном участке, так как перегрев создаст испарения, которые может вдохнуть оператор.**
 - ♦ **Держите продукты питания и питьевые жидкости вне рабочего места. Промойте ладони, руки и**
- лицо и прополощите рот, перед тем как поесть или попить. Не курите и не жуйте жвачку или табак на рабочем месте.**
- ♦ **Очистите всю удаленную краску и пыль, протирая полы влажной шваброй. Протрите все стены, пороги и другие поверхности, где может осесть краска или пыль, влажной тряпкой. НЕ ПОДМЕТАЙТЕ, НЕ СОБИРАЙТЕ СУХУЮ ПЫЛЬ И НЕ ПЫЛЕСОСЬТЕ.** Используйте чистящие средства с высоким содержанием фосфата или тринатрийфосфата (TSP) для очистки рабочего места.
 - ♦ **После завершения работы, положите кусочки краски и мусор в двойной полиэтиленовый пакет, закройте его лентой или зажимом-закруткой, и утилизируйте его надлежащим образом.**
 - ♦ **Снимайте защитную одежду и рабочую обувь на рабочем месте, чтобы не занести пыль в остальную жилую площадь. Стирайте рабочую одежду отдельно. Вытирайте обувь влажной тряпкой, которую затем стирайте вместе с рабочей одеждой. Тщательно промывайте волосы и тело мылом и водой.**
- Остаточные риски.**
При работе с инструментом возможно возникновение дополнительных

остаточных рисков, которые не вошли в описанные здесь правила техники безопасности. Эти риски могут возникнуть при неправильном или продолжительном использовании изделия и т.п.

Несмотря на соблюдение соответствующих инструкций по технике безопасности и использование предохранительных устройств, некоторые остаточные риски невозможно полностью исключить. К ним относятся:

- ◆ Травмы в результате касания вращающихся/движущихся частей.
- ◆ Травмы, которые могут произойти в результате смены деталей, лезвий или дополнительных принадлежностей.
- ◆ Травмы, связанные с продолжительным использованием инструмента. При использовании любого инструмента в течение продолжительного периода времени не забывайте делать перерывы.
- ◆ Ухудшение слуха.
- ◆ Ущерб здоровью в результате вдыхания пыли в процессе работы инструментом (например, при обработке древесины, в особенности, дуба, бука и МДФ.)

Условные обозначения на инструменте

Наравне с кодом даты на инструменте имеются следующие знаки:



Внимание! Полностью прочтите инструкции по технике безопасности и все руководства по эксплуатации. Несоблюдение представленных ниже предупреждений и инструкций может привести к поражению электрическим током, возгоранию и/или тяжелым травмам.

Выключите инструмент. Перед выполнением любых работ по обслуживанию инструмента извлекайте из него аккумуляторную батарею.

Дополнительные правила техники безопасности при работе с аккумуляторными батареями и зарядными устройствами

Аккумуляторные батареи (не входят в комплект поставки)

- ◆ Никогда не пытайтесь разбирать аккумуляторные батареи.
- ◆ Не подвергайте аккумуляторные батареи воздействию воды.
- ◆ Не оставляйте батареи в местах, где температура превышает 40 °С.
- ◆ Заряжайте батареи только при температуре от 10 °С до 40 °С.
- ◆ Заряжайте аккумуляторные батареи только с зарядным устройством, которое прилагается к инструменту.
- ◆ При утилизации батарей следуйте

инструкциям, указанным в разделе «Защита окружающей среды».



Не заряжайте поврежденные аккумуляторные батареи.

Зарядные устройства (не входят в комплект поставки)

- ♦ Используйте зарядное устройство STANLEY FATMAX только для зарядки аккумуляторной батареи того инструмента, с которым оно поставлялось. Использование аккумуляторных батарей другого типа может привести к взрыву, травмам и повреждениям.
- ♦ Не пытайтесь заряжать одноразовые батареи.
- ♦ Немедленно заменяйте поврежденный кабель питания.
- ♦ Не подвергайте зарядное устройство воздействию воды.
- ♦ Не вскрывайте зарядное устройство.
- ♦ Не разбирайте зарядное устройство.



Зарядное устройство можно использовать только в помещении.



Перед началом работы прочтите руководство по эксплуатации.

Электробезопасность



Ваше зарядное устройство имеет двойную изоляцию, поэтому не требует заземления. Необходимо обязательно убедиться в том, что напряжение источника питания соответствует указанному на паспортной табличке устройства. Никогда не пытайтесь заменить зарядное устройство обычной сетевой вилкой.

- ♦ При повреждении кабеля питания, во избежание рисков, замените его у производителя или в официальном сервисном центре STANLEY FATMAX.

Составные части

Данный инструмент может содержать все или некоторые из перечисленных ниже составных частей.

1. Курковый пусковой выключатель
2. Вентиляционные прорези
3. Сопло
4. Крышка теплового ствола
5. Кнопка блокировки

Эксплуатация

Внимание! Инструмент должен работать в обычном режиме. Избегайте перегрузок.

Зарядка аккумуляторной батареи (не входит в комплект поставки) (Рис. А)

Аккумуляторную батарею нужно заряжать перед первым использованием и каждый раз, когда заряда недостаточно для выполняемых работ. Во время зарядки аккумуляторная батарея нагревается. Это нормальная ситуация, которая не указывает на неисправность.

Внимание! Не заряжайте батарею при температуре окружающей среды ниже 10 °С или выше 40 °С.

Рекомендуемая температура при зарядке: приблизительно 24 °С.

Примечание: Зарядное устройство не будет заряжать аккумуляторную батарею, если температура элемента


ниже 10 °С или выше 40 °С.

Аккумуляторную батарею следует оставить в зарядном устройстве. Зарядка начнется автоматически, когда температура элемента аккумуляторной батареи выровняется до нормальных значений.

Примечание: Чтобы обеспечить максимальную производительность и срок службы ионно-литиевых батарей, перед первым использованием полностью зарядите их.

- и Перед установкой батареи (6) подключите зарядное устройство (7) к соответствующей розетке.
- ◆ Зеленый индикатор зарядки (7a) начнет мигать. Это означает, что процесс зарядки начался.
- ◆ По окончании зарядки, зеленый индикатор зарядки (7a) будет гореть непрерывно, не мигая. Теперь аккумуляторная батарея (6) полностью заряжена, и ее можно использовать или оставить в зарядном устройстве (7).
- ◆ Заряжайте разряженные батареи 1 раз в неделю. Срок службы аккумуляторной батареи значительно уменьшается, если ее хранить в разряженном состоянии.

Режимы горения светодиодного индикатора зарядного устройства

	Зарядка: Мигающий зеленый светодиод	
	Полностью заряжен: Непрерывно горящий зеленый светодиод	
	Температурная задержка: Мигающий зеленый светодиод Непрерывно горящий красный светодиод	

Примечание: Зарядное(-ые) устройство(-а) не сможет(-гут) зарядить неисправную аккумуляторную батарею. При неисправной аккумуляторной батарее, индикатор на зарядном устройстве не загорится.

Примечание: Также это может указывать на проблему с зарядным устройством. При наличии проблемы с зарядным устройством, проверьте аккумуляторную батарею и зарядное устройство в авторизованном сервисном центре.

Хранение аккумуляторной батареи в зарядном устройстве

Аккумуляторную батарею можно оставлять в зарядном

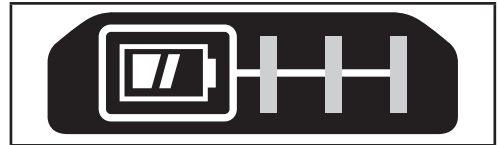
устройстве на неопределенное время, когда горит светодиод. Зарядное устройство будет поддерживать полную зарядку аккумуляторной батареи.

Температурная задержка

При слишком низкой или слишком высокой температуре батареи, зарядное устройство автоматически переходит в режим температурной задержки: зеленый светодиод (7a) будет мигать, в то время как красный светодиод (7b) будет гореть постоянно; при этом зарядка не начинается до тех пор, пока батарея не достигнет нужной температуры. Как только нужная температура будет достигнута, устройство автоматически перейдет в режим зарядки. Данная функция обеспечивает максимальный срок эксплуатации аккумуляторной батареи.

Индикатор заряда (Рис. В)

Аккумуляторная батарея имеет индикатор заряда, который позволяет быстро установить состояние заряда батареи, как показано на Рис. В. Нажатие кнопки заряда (6a) позволяет легко посмотреть оставшийся заряд батареи, как показано на Рис. В.



Установка и извлечение аккумуляторной батареи (не входит в комплект поставки) из инструмента

Установка батареи (Рис. С)

- ◆ Вставьте аккумуляторную батарею (6) в инструмент до щелчка, как показано на Рис. С. Убедитесь, что батарея полностью вошла и зафиксирована на месте.

Извлечение батареи (Рис. D)

- ◆ Нажмите отпирающую кнопку батареи (6b), как показано на Рис. D, и извлеките аккумуляторную батарею (6) из инструмента.

Подготовка к эксплуатации

Внимание! Сопло никогда не должно быть направлено на вас или находящихся поблизости людей.

Внимание! НЕ ПОЗВОЛЯЙТЕ предметам попадать в сопло.

Внимание! НЕ ДЕРЖИТЕ инструмент включенным более 60 мин в периоде 2 ч.

Включение и выключение (Рис. E, F)

- ◆ Чтобы включить инструмент, переведите кнопку блокировки (5) вверх и нажмите на курковый пусковой

выключатель (1).

- ◆ Чтобы выключить инструмент, отпустите курковый пусковой выключатель.

Примечание: Прежде чем убрать инструмент на хранение, отсоедините его от источника питания и дайте ему остыть.

Правильное положение рук (Рис. F)

Внимание! Во избежание риска получения серьезных травм ВСЕГДА используйте правильное положение рук, как показано на рисунке.

Внимание! Во избежание риска получения серьезных травм ВСЕГДА крепко держите инструмент, предупреждая внезапную резкую отдачу. При правильном положении рук одна рука должна находиться на основной рукоятке инструмента, как показано на Рис. F.

Период охлаждения (Рис. G)

Во время работы сопло и насадка сильно нагреваются. Выключайте пистолет горячего воздуха, отсоединяйте его от источника питания и дайте ему остыть в течение как минимум 30 минут, прежде чем переместить пистолет или убрать на хранение.

Удаление краски

Внимание! См. подраздел «Важное примечание» в разделе «Важные инструкции по технике безопасности» перед использованием инструмента для удаления краски.

Внимание! Не удаляйте краску с металлических оконных рам, так как тепло может повредить стекло.

- ◆ При удалении краски с других оконных рам используйте насадку, предохраняющую стекло.
- ◆ Не направляйте инструмент слишком долго на одно место, чтобы избежать возгорания поверхности.
- ◆ Не позволяйте краске скапливаться на скребке, так как она может загореться. Аккуратно снимите остатки краски со скребка с помощью ножа, если это необходимо.
- ◆ Установите нужную насадку.
- ◆ Чтобы включить инструмент, переведите кнопку блокировки (5) вверх и нажмите на курковый пусковой выключатель (1).
- ◆ Направьте поток горячего воздуха на удаляемую краску. Для достижения лучших результатов, перемещайте пистолет горячего воздуха медленно, но ПОСТОЯННО, из стороны в сторону для равномерного распределения тепла. НЕ ЗАДЕРЖИВАЙТЕСЬ И НЕ ОСТАНАВЛИВАЙТЕСЬ НА ОДНОМ МЕСТЕ.
- ◆ Когда краска размякнет, соскребите ее ручным скребком.

Примечание: Щепки или мелкие частицы счищенной краски могут воспламениться и быть продутыми в щели и

трещины на очищаемой поверхности.

Дополнительные принадлежности

Внимание! В связи с тем, что дополнительные принадлежности других производителей помимо STANLEY FATMAX не проходили проверку на совместимость с данным изделием, их использование может представлять опасность. Во избежание травм, с данным инструментом следует использовать только дополнительные принадлежности, рекомендованные STANLEY FATMAX. Дополнительные принадлежности, рекомендованные к использованию с данным инструментом, можно приобрести за отдельную плату у вашего дилера или в ближайшем авторизованном сервисном центре.

В комплект поставки данного инструмента входит набор насадок для различных видов работ.

Насадка с отражателем или насадка-крюк (8) (Рис. H)

Термоусадочный рукав, отражающий тепло вокруг предмета. Помогает избегать чрезмерного нагрева, ожогов или повреждений поверхности заготовки.

Широкая насадка 75 мм (9) (Рис. I)

Сушка, удаление краски, удаление винила или линолеума, оттаивание (нагрев по широкому участку).

Техническое обслуживание

Ваш инструмент STANLEY FATMAX имеет длительный срок эксплуатации и требует минимальных затрат на техобслуживание. Срок службы и надежность инструмента увеличивается при правильном уходе и регулярной чистке.

Зарядное устройство не требует никакого технического обслуживания кроме регулярной чистки.

Внимание! Перед выполнением любых работ по обслуживанию инструмента извлеките из него аккумуляторную батарею. Перед чисткой зарядного устройства отключите его от источника питания.

- ◆ Регулярно очищайте вентиляционные отверстия вашего инструмента и зарядного устройства мягкой щеткой или сухой тканью.
- ◆ Регулярно очищайте корпус двигателя влажной тканью.
- ◆ Не используйте никакие абразивные чистящие средства или средства на основе растворителей.

Защита окружающей среды



Отдельная утилизация. Изделия и аккумуляторные батареи с данным символом на маркировке запрещается утилизировать с обычными бытовыми отходами.

Изделия и аккумуляторные батареи содержат материалы, которые могут быть извлечены или переработаны, снижая потребность в исходном сырье. Пожалуйста, утилизируйте электрические изделия и аккумуляторные батареи в соответствии с местными нормами. Дополнительная информация доступна по адресу www.2helpU.com

Технические характеристики

SFMCSE30 тип 1		
Напряжение	V _{ном. макс.}	18
Потребляемая мощность	Вт	360
Диапазон температур	°C	510
Вес	Кг	0,53

Инструмент можно использовать с зарядными устройствами, указанными в следующей таблице.

Зарядное устройство		SFMCB14** тип 1
Входное напряжение	V _{ном. макс.}	230
Выходное напряжение	V _{ном. макс.}	18
Ток	A	4

Инструмент можно использовать с аккумуляторными батареями, указанными в следующей таблице.

Аккумуляторная батарея		SFMCB201	SFMCB202	SFMCB204	SFMCB206
Напряжение	V _{ном. макс.}	18	18	18	18
Емкость	Aч	1,5	2,0	4,0	6,0
Тип		Ион-но-литиевая	Ион-но-литиевая	Ион-но-литиевая	Ион-но-литиевая
Приблизительное время зарядки	мин.	22	30	60	90

Внимание! Зарядное устройство STANLEY FATMAX можно использовать только для зарядки STANLEY FATMAX ионно-литиевых аккумуляторных батарей.

Гарантия

STANLEY FATMAX с уверенностью в качестве своей продукции предлагает клиентам гарантию на 12 месяцев с момента покупки. Данная гарантия является дополнительной и ни в коей мере не направлена на ущемление ваших юридических прав. Гарантия действует на территории стран-участниц Европейского союза и в Европейской зоне свободной торговли.

Чтобы подать заявку по гарантии, заявка должна соответствовать положениям и условиям STANLEY FATMAX, кроме того, вам потребуется предъявить продавцу или авторизованному специалисту по ремонту подтверждение покупки. Положения и условия гарантии STANLEY FATMAX на 1 год и местонахождение ближайшего авторизованного специалиста по ремонту можно узнать через Интернет по адресу www.2helpU.com, или связавшись с местным представительством STANLEY FATMAX по адресу, указанному в данном руководстве.

Посетите наш веб-сайт www.stanley.eu/3, чтобы зарегистрировать свое новое изделие STANLEY FATMAX и получать информацию о новинках и специальных предложениях.



Приложение к руководству по эксплуатации электрооборудования для определения месяца производства по номеру текущей календарной недели года

Электрооборудование торговых марок "Dewalt", "Stanley", "Stanley FatMAX", "BLACK+DECKER".

Директивы 2014/30/EU ЕВРОПЕЙСКОГО ПАРЛАМЕНТА И СОВЕТА от 26 февраля 2014 г. "О гармонизации законодательств Государств-членов ЕС в области электромагнитной совместимости", 2006/42/ЕС ЕВРОПЕЙСКОГО ПАРЛАМЕНТА И СОВЕТА от 17 мая 2006 г. "О машинах и оборудовании"; 2014/35/EU ЕВРОПЕЙСКОГО ПАРЛАМЕНТА И СОВЕТА от 26 февраля 2014 г. "О гармонизации законодательств государств-членов в области размещения на рынке электрооборудования, предназначенного для использования в определенных пределах напряжения". Серийный выпуск.

ТОВАР СЕРТИФИЦИРОВАН

Орган по сертификации "РОСТЕСТ- Москва", Адрес: 119049, г. Москва, улица Житная, д. 14, стр. 1; 117418, Москва, Нахимовский просп., 31 (фактический), Телефон: (499) 1292311, (495) 6682893, Факс: (495) 6682893, E-mail: office@rostest.ru
Изготовитель: Изготовитель: Блэк энд Деккер Холдингс ГмбХ, Германия, 65510, Идштайн, ул. Блэк энд Деккер, 40, тел. +496126212790.

Уполномоченное изготовителем юр.лицо:

ООО "Стэнли Блэк энд Деккер", 117485, город Москва, улица Обручева, дом 30/1, строение 2
Телефон: + 7 (495) 258-3981, факс: + 7 (495) 258-3984, E-mail: inbosh@dewalt.com
Сведения о импортере указаны в сопроводительной документации и/или на упаковке

Хранение.

Необходимо хранить в сухом месте, вдали от источников повышенных температур и воздействия солнечных лучей. При хранении необходимо избегать резкого перепада температур. Хранение без упаковки не допускается

Срок службы.

Срок службы изделия составляет 5 лет. Не рекомендуется к эксплуатации по истечении 5 лет хранения с даты изготовления без предварительной проверки.

Дата изготовления (код даты) указана на корпусе инструмента.

Код даты, который также включает год изготовления, оштампован на поверхности корпуса изделия.

Пример:

2014 46 XX, где 2014 –год изготовления, 46-неделя изготовления.

Определить месяц изготовления по указанной неделе изготовления можно согласно приведенной ниже таблице.

Транспортировка.

Категорически не допускается падение и любые механические воздействия на упаковку при транспортировке. При разгрузке/погрузке не допускается использование любого вида техники, работающей по принципу зажима упаковки.

Перечень критических отказов, возможные ошибочные действия персонала.

Не допускается эксплуатация изделия:

- При появлении дыма из корпуса изделия
- При повреждении и/или оголенном сетевом кабеле
- при повреждении корпуса изделия, защитного кожуха, рукоятки
- при попадании жидкости в корпус
- при возникновении сильной вибрации
- при возникновении сильного искрения внутри корпуса

Критерии предельных состояний.

- При поврежденном и/или оголенном сетевом кабеле
- при повреждении корпуса изделия

Месяц	Январь	Февраль	Март	Апрель	Май	Июнь	Июль	Август	Сентябрь	Октябрь	Ноябрь	Декабрь	Год производства
Неделя	1	5	9	14	18	23	27	31	36	40	44	49	2018
	2	6	10	15	19	24	28	32	37	41	45	50	
	3	7	11	16	20	25	29	33	38	42	46	51	
	4	8	12	17	21	26	30	34	39	43	47	52	
Неделя			13		22			35				48	2019
	1	6	10	14	18	23	27	31	36	40	45	49	
	2	7	11	15	19	24	28	32	37	41	46	50	
	3	8	12	16	20	25	29	33	38	42	47	51	
	4	9	13	17	21	26	30	34	39	43	48	52	
Неделя					22			35		44			2020
	1	6	10	14	19	23	27	32	36	40	45	49	
	2	7	11	15	20	24	28	33	37	41	46	50	
	3	8	12	16	21	25	29	34	38	42	47	51	
	4	9	13	17	22	26	30	35	39	43	48	52	
Неделя				18			31		40				2021
	2	6	10	14	19	23	27	32	36	41	45	49	
	3	7	11	15	20	24	28	33	37	42	46	50	
	4	8	12	16	21	25	29	34	38	43	47	51	
	5	9	13	17	22	26	30	35	39	44	48	52	
Неделя					18				40			1	2022
	2	6	10	15	19	23	28	32	36	41	45	49	
	3	7	11	16	20	24	29	33	37	42	46	50	
	4	8	12	17	21	25	30	34	38	43	47	51	
	5	9	13	18	22	26	31	35	39	44	48	52	
			14						40			1	

STANLEY FATMAX®

3 ГОДА ГАРАНТИИ
ТРЕБУЕТСЯ ОНЛАЙН РЕГИСТРАЦИЯ
СТАНДАРТНАЯ ГАРАНТИЯ 1 ГОД
подробные условия гарантии и список регионов см. на сайте ниже

sfm.stanley.ru

ГАРАНТИЙНЫЕ УСЛОВИЯ

Уважаемый покупатель!

1. Поздравляем Вас с покупкой высококачественного изделия STANLEY FATMAX и выражаем признательность за Ваш выбор.
2. При покупке изделия требуйте проверки его комплектности и исправности в Вашем присутствии. В комплекте с инструментом должен быть инструкция по эксплуатации и гарантийные условия производителя на русском языке. Сохраняйте на весь срок гарантии Ваш документ, удостоверяющий факт покупки изделия. Убедитесь, что в чеке указаны: физический номер чека, модель/наименование изделия, дата продажи и название торговой организации. z
3. Во избежание недоразумений убедительно просим Вас перед началом работы с изделием внимательно ознакомиться с инструкцией по его эксплуатации. Правовой основой действующих гарантийных условий является действующее законодательство. Гарантийный срок на данное изделие составляет 12 месяцев* и исчисляется со дня продажи. В случае устройства недостатков изделия гарантийный срок продлевается на период его нахождения в ремонте. Срок службы изделия составляет 5 лет со дня продажи.
4. В случае возникновения каких-либо проблем в процессе эксплуатации изделия рекомендуем Вам обратиться только в уполномоченные сервисные центры STANLEY FATMAX, адрес и телефоны которых Вы можете найти на сайте www.2helpu.com или позвонить в течение. Наши сервисные станции это не только квалифицированный ремонт, но и широкий ассортимент запчастей и принадлежностей.
5. Производитель рекомендует проводить периодическую проверку и техническое обслуживание изделия в уполномоченных сервисных центрах.
6. Наши гарантийные обязательства распространяются только на неисправности, выявленные в течение гарантийного срока и вызванные дефектами материалов или сборки изделия.
7. Гарантийные условия не распространяются на неисправности изделия, возникшие в результате:
 - 7.1. Несоблюдения пользователем предписаний инструкции по эксплуатации изделия, применения изделия не по назначению, неправильном хранении, использовании принадлежностей, рыхлых материалов и запчастей, не предусмотренных производителем.
 - 7.2. Механического повреждения (сколы, трещины и разрушения) внутренних и внешних деталей изделия, основных и вспомогательных рукояток, сетевого электрического кабеля, вызванного внешним ударным или любым иным воздействием.
 - 7.3. Попадания в вентиляционные отверстия и проникновение внутрь



ОБЯЗАТЕЛЬНО СОХРАНИТЕ КАССОВЫЙ ЧЕК

- изделия посторонних предметов, материалов или веществ, не являющихся отходами, сопровождающими применение изделия по назначению, такими как: стружка, опилки, песок, и пр.
- 7.4. Воздействие на изделие неблагоприятных атмосферных и иных внешних факторов, таких как: дождь, снег, повышенная влажность, ультрафиолетовые лучи, агрессивные среды, несоответствие параметров питающей электросети, указанных на инструменте.
 - 7.5. Стихийного бедствия. Повреждения или утраты изделия, связанные с непредвиденными действиями, стихийными явлениями, в том числе вследствие действия непреодолимой силы (пожар, молния, потоп и другие природные явления), а также вследствие перепадов напряжения в электросети и другими причинами, которые находятся вне контроля производителя.
- 8. Гарантийные условия не распространяются:**
- 8.1. На инструменты, подвергшиеся вскрытию, ремонту или модификации вне уполномоченного сервисного центра.
 - 8.2. На детали и узлы, имеющие следы естественного износа, такие как: приводные ремни и колеса угловых шестки, смазочные подшипники, зубчатое зацепление редукторов, резиновые уплотнения, сальники, направляющие ролики, муфты сцепления, болты, толкатели, стволы, и т.п.
 - 8.3. На сменные и расходные части: цепи, зажимные гайки и фляцы, фильтры, ножи, шлифовальные подошвы, цепи, звездочки, пыльные шины, защитные кожухи, пилки, шлифовки, пыльные и шлифовальные диски, фрезы, сверла, буры и т.п.
 - 8.4. На неисправности, возникшие в результате перегрузки инструмент (как механической, так и электрической), повлекшей выход из строя одновременно двух и более деталей и узлов, таких как: роторы и статоры обоих обмоток статора ведомой и ведущей шестерни редуктора или других узлов и деталей. К безусловным признакам перегрузки изделия относятся, помимо прочего: появление цветов побежалости, деформация или оплывание деталей и узлов изделия, потемнение или обугливание изоляции проводов электродвигателя под воздействием обычной температуры.

* Зарегистрируйте ваш новый электроинструмент STANLEY FATMAX чтобы получить 3 года гарантии.

- требуется регистрация продукта в течение 4-х недель со дня покупки;
- для регистрации посетите наш сайт sfm.stanley.ru



Горячая линия

8-800-1000-876

Актуальную информацию об обслуживании
в интересующем вас городе вы можете узнать на сайте

service.stanley.ru

- Список авторизованных сервисных центров
- Поиск ближайшего сервисного центра
- Руководство по эксплуатации
- Технические характеристики
- Список деталей и запасных частей
- Схема сборки инструмента

15-04-2021

NA065919

ГАРАНТИЙНОЕ ОБСЛУЖИВАНИЕ

С БЕСПЛАТНОЙ ДОСТАВКОЙ

Теперь вы можете сдать инструмент в сервис, даже если его нет в вашем городе.

Скачать/распечатать инструкцию с сайта

service.stanley.ru



Отметки о проведении сервисного обслуживания

№1	№2	№3	№4
№ заказа	№ заказа	№ заказа	№ заказа
Дата поступления	Дата поступления	Дата поступления	Дата поступления
Дата ремонта	Дата ремонта	Дата ремонта	Дата ремонта
Печать и подпись сервисного центра	Печать и подпись сервисного центра	Печать и подпись сервисного центра	Печать и подпись сервисного центра



ПОДАРОК ЗА ОТЗЫВ*

- 1 Зарегистрируйся на **my.stanley.ru**
- 2 Напиши отзыв о покупке
- 3 Получи подарок на выбор**



*Акция проводится на территории Российской Федерации. Подробные условия акции указаны на **my.stanley.ru**

** Подарок может отличаться от изображенного, актуальный перечень см. на **my.stanley.ru**

Сфера застосування

Ваш технічний фен (термопістолет) STANLEY FATMAX SFMCE530 було розроблено для різноманітних завдань, де необхідне гаряче повітря, наприклад, для видалення фарби. Цей пристрій призначений для професійного використання, а також для приватного непрофесійного використання.

Інструкції з техніки безпеки

Загальні попередження з техніки безпеки



Увага! Прочитайте всі попередження та інструкції.

Недотримання наведених інструкцій та попереджень може призвести до ураження електричним струмом, пожежі та/або серйозних травм.

Збережіть всі попередження та інструкції для використання в майбутньому. Термін «електричний інструмент» в усіх попередженнях, перерахованих нижче, стосується використовуваних вами інструментів, що працюють від мережі енергоспоживання (з використанням електричного кабелю) або батарей (без кабелю).

1. Безпека робочої зони

- a. **Тримайте робочу зону чистою та добре освітленою.** Невпорядковані й темні робочі зони збільшують імовірність нещасного випадку.
- b. **Не використовуйте електричні інструменти у вибухонебезпечній атмосфері, наприклад у присутності займистих рідин, газів та пилу.** Електричні інструменти створюють іскри, що

можуть запалити пил або випаровування.

- c. **Тримайте дітей та сторонніх подалі під час використання інструмента.** Відвернення уваги може призвести до втрати контролю.

2. Електрична безпека

- a. **Вилка електричного інструмента має відповідати розетці. Ніколи жодним чином не змінюйте вилку. Не використовуйте адаптери з заземленими електричними інструментами.** Немодифіковані вилки та розетки, що відповідають їм, зменшують ризик ураження електричним струмом.
- b. **Уникайте контакту тіла із заземленими поверхнями, такими як труби, радіатори, плити та холодильники.** Якщо ваше тіло заземлене, збільшується ризик ураження електричним струмом.
- c. **Не залишайте електричні інструменти під дощем або за умов підвищеної вологості.** Вода, що потрапляє в електричний інструмент, підвищує ризик ураження електричним струмом.
- d. **Не використовуйте кабель живлення не за призначенням. Ніколи не переносьте, не тягніть та не відключайте електричний інструмент від розетки електроживлення за допомогою шнура.** Тримайте шнур подалі від високих температур, мастила, гострих предметів та рухомих

деталей. Пошкоджені або перекручені шнури підвищують ризик ураження електричним струмом.

- e. Під час експлуатації електричного інструмента на вулиці використовуйте подовжувальний шнур, що призначений для використання поза приміщеннями. Використання шнура, що призначений для використання поза приміщенням, знижує ризик ураження електричним струмом.
- f. Якщо неможливо уникнути використання електричного інструмента за умов підвищеної вологості, використовуйте джерело живлення, захищене пристроєм з керуванням диференційним струмом (RCD). Використання RCD знижує ризик ураження електричним струмом.

3. Особиста безпека

- a. Будьте в стані готовності, дивіться, що ви робите, та будьте розсудливі, працюючи з електричним інструментом. Не використовуйте електричний інструмент, коли ви втомлені або знаходитесь під впливом наркотичних речовин, алкоголю або ліків. Втрата уваги під час роботи з електричним інструментами може призвести до серйозних травм.
- b. Використовуйте особисті засоби

безпеки. Завжди використовуйте засоби захисту очей. Засоби безпеки, такі як протипилова маска, нековзкі безпечні черевики, захисний шолом та засоби захисту слухового апарату, використані для відповідних умов, зменшують імовірність особистих травм.

- c. Уникайте випадкового запуску. Переконайтесь в тому, що вимикач знаходиться в позиції Вимк. перед підключенням до джерела живлення та/або акумулятора, переміщенням або перенесенням пристрою. Якщо ви переносите інструмент, тримаючи палець на перемикачі, або підключаєте живлення з перемикачем в позиції Увімк., це може призвести до нещасного випадку.
- d. Зніміть всі налаштувальні ключі або гайкові ключі перед вмиканням електричного інструмента. Гайковий ключ, що залишився прикріпленим до якоїсь деталі електричного пристрою, що обертається, може призвести до травм.
- e. Не намагайтесь дотягнутись і працювати у незручному положенні. Завжди утримуйте правильну постановку ніг і рівновагу. Це дає вам змогу краще контролювати інструмент в непередбачуваних ситуаціях.
- f. Вдягайте відповідний одяг. Не

вдягайте вільний одяг або прикраси. Тримайте ваше волосся, одяг та рукавички подалі від рухомих деталей. Вільний одяг, прикраси або довге волосся можуть зачепитися за рухомі деталі.

- g. Якщо передбачені пристрої для підключення до засобів виділення та збирання пилу, переконайтеся, що вони правильно підключені та використовуються.** Використання таких пристроїв зменшує ризик виникнення небезпечних ситуацій, що пов'язані з потраплянням пилу.

4. Використання електричного інструмента та догляд за ним

- a. Не застосовуйте надмірні зусилля під час роботи з інструментом. Використовуйте електричний інструмент, який відповідає завданню, що виконується.** Правильно обраний інструмент виконає завдання краще та безпечніше за умов, для яких він був розроблений.
- b. Не використовуйте інструмент, вмикач якого не вмикає та не вимикає його.** Будь-який електричний інструмент, який не може управлятися вмикачем, є небезпечним і має бути відремонтований.
- c. Відключіть вилку від джерела живлення та/або зніміть акумуляторний блок з електричного інструмента перед**

тим, як робити будь-які налаштування, змінювати додаткове обладнання чи зберігати електричні інструменти. Ці профілактичні заходи зменшують ризик випадкового запуску електричного інструмента.

- d. Зберігайте вимкнені електричні інструменти подалі від дітей та не дозволяйте особам, що не знайомі з електричним інструментом або цими інструкціями, використовувати електричний інструмент.** Електричні інструменти є небезпечними, якщо вони використовуються некваліфікованими користувачами.

- e. Технічне обслуговування електричних інструментів.** Перевіряйте несумісність або заїдання рухомих деталей, наявність ушкоджених частин та інших умов, що можуть впливати на роботу електричного інструмента. Якщо є пошкодження, відремонтуйте електричний інструмент перед використанням. Багато нещасних випадків є результатом того, що інструмент не пройшов відповідного технічного обслуговування.

- f. Тримайте ріжучі інструменти гострими та чистими.** Правильно доглянуті ріжучі інструменти з гострими ріжучими кромками мають меншу ймовірність заїдання, та ними легше керувати.

- g. Використовуйте електричний**

інструмент, приладдя та деталі інструмента тощо у відповідності до цих інструкцій, зважаючи на умови використання та роботу, яка має бути виконана.

Використання електричних інструментів не за призначенням може призвести до виникнення небезпечних ситуацій.

5. Використання та догляд за інструментом, що працює від акумулятора

a. Заряджайте інструмент лише за допомогою зарядного пристрою, що вказаний виробником.

Зарядний пристрій, що може використовуватись з одним типом батарей, може призвести до пожежі, коли використовується з іншим комплектом батарей.

b. Використовуйте електричні інструменти лише зі спеціально розробленими комплектами батарей. Використання інших комплектів батарей може призвести до травм або пожежі.

c. Коли комплект батарей не використовується, зберігайте його подалі від таких металевих предметів, як скріпки, монети, ключі, цвяхи, гвинти або інші невеликі предмети, що можуть призвести до замикання двох контактів. Зімкнення терміналів акумулятора може призвести до вибуху або пожежі.

d. За невідповідних умов

використання рідина може витекти з батареї, уникайте контакту з цією рідиною. Якщо контакт таки стався, промийте забруднену ділянку водою. Якщо рідина потрапила в очі, промийте водою та зверніться до лікаря. Рідина, що витікає з батареї, може призвести до подразнень та опіків.

6. Обслуговування

a. Передавайте електричний інструмент для обслуговування кваліфікованим спеціалістам з ремонту та використовуйте тільки ідентичні замінні деталі. Це забезпечить безпеку електричного пристрою.

b. Не обслуговуйте пошкоджені акумулятори самостійно. Сервісне обслуговування акумуляторних батарей повинно здійснюватися тільки виробником або уповноваженими постачальниками послуг.

Додаткові правила безпеки для електричного інструмента



Увага! Додаткові попередження з техніки безпеки для технічних фенів

Увага! Не використовуйте пристрій поза приміщенням, він призначений лише для використання в приміщенні.

Увага! Цей пристрій не призначений для використання особами (включаючи дітей) зі зниженими фізичними, сенсорними або розумовими

можливостями, а також особами, яким бракує досвіду або знань, за винятком випадків, коли такі особи працюють під наглядом або отримали інструкції щодо використання пристрою від особи, яка несе відповідальність за їхню безпеку.

Увага! Уважно слідкуйте за тим, щоб діти не гралися з пристроєм.

Увага! Якщо пристрій використовується без необхідної обережності, це може призвести до виникнення пожежі, тому необхідно бути особливо обережними в місцях, де є легкозаймісті матеріали:

- ◆ Не направляйте гаряче повітря на одне і те саме місце протягом довгого часу;
- ◆ Не використовуйте у вибухонебезпечному середовищі;
- ◆ Пам'ятайте, що тепло може перейти на легкозаймісті матеріали, які знаходяться поза полем зору.
- ◆ Не залишайте ввімкнений пристрій без нагляду.
- ◆ Не закривайте повітрязабірники та випускні отвори сопла, тому що це може призвести до перегріву пристрою і його пошкодження.
- ◆ Не направляйте потік гарячого повітря на інших людей та тварин.
- ◆ Не торкайтеся сопла, тому що воно може стати дуже гарячим під час використання і залишається гарячим приблизно 30 хвилин після використання.
- ◆ Не направляйте сопло на інші об'єкти під час або відразу після

використання.

- ◆ Не вставляйте нічого в сопло, це може призвести до ураження електричним струмом.
- ◆ Не дивитися в сопло, коли пристрій увімкнений.
- ◆ Не використовуйте пристрій в якості фену для волосся! Температура повітря є значно вищою, ніж у фені для волосся.
- ◆ НЕ використовуйте цей інструмент для нагрівання їжі.
- ◆ Забезпечте належну вентиляцію під час використання, тому що можуть утворюватись токсичні випаровування.
- ◆ Не використовуйте прилад в умовах підвищеної вологості.
- ◆ При зніманні фарби переконайтесь, що робоча зона закрита. Необхідно використовувати протипилову маску, яка призначена спеціально для захисту від пилу та випаровувань фарби, яка містить свинець, та переконайтесь, що особи, які знаходяться в робочій зоні, також використовують засоби захисту.
- ◆ Не спалюйте фарбу, це може призвести до пожежі.
- ◆ Не дозволяйте фарбі залишатися у соплі, тому що вона може спалахнути через деякий час.
- ◆ Вимкніть пристрій і дайте йому охолонути перед установкою аксесуарів.

Особи, що знімають фарбу, повинні завжди дотримуватися цих інструкцій:

Увага! Треба бути особливо обережними при зніманні шару фарби. Шматочки, пил та випаровування фарби можуть містити свинець, який є отруйним. Будь-яка фарба, що застосовувалася до 1977 року, може містити свинець, а фарба, нанесена на будинках до 1950 року, швидше за все, буде містити свинець. В процесі знімання такої фарби свинець може потрапити в організм людини. Вплив навіть незначного рівню свинцю може викликати незворотні порушення мозку і нервової системи; молоді та ненароджені діти особливо вразливі. Перед початком будь-якого процесу видалення фарби необхідно визначити, чи містить ця фарба свинець. Це може зробити місцевий відділ охорони здоров'я або фахівець, який використовує аналізатор фарби для перевірки вмісту свинцю в фарбі, що видаляється. **ФАРБИ НА ОСНОВІ СВИНЦЮ ПОВИННІ ВИДАЛЯТИСЯ ЛИШЕ ПРОФЕСІОНАЛАМИ І НЕ ПОВИННІ ВИДАЛЯТИСЯ ЗА ДОПОМОГОЮ ТЕХНІЧНОГО ФЕНУ.** Особи, що знімають фарбу, повинні завжди дотримуватися цих інструкцій:

- ◆ **Перенесіть заготовку на вулицю. Якщо це неможливо, забезпечте хорошу вентиляцію робочої зони. Відкрийте вікна і вставте в одне з них витяжний вентилятор.**

Переконайтеся, що вентилятор виводить повітря зсередини назовні.

- ◆ **Зніміть або накрійте килими, доріжки, меблі, одяг, кухонний посуд і повітроводи.**
- ◆ **Покладіть в робочу зону тканини, щоб видалити уламки фарби або лушпиння. Носіть захисний одяг, наприклад, додаткові робочі сорочки, спецодяг і головні убори.**
- ◆ **Працюйте в одній кімнаті за раз. Меблі слід прибрати або помістити в центр приміщення і накрити. Робочі зони повинні бути ізольовані від решти житла шляхом герметизації дверних прорізів тканиною.**
- ◆ **Діти, вагітні або можливо вагітні жінки і матері-годувальниці не повинні знаходитися в робочій зоні до завершення робіт і прибирання.**
- ◆ **Носіть респіраторну маску або маску з подвійним фільтром (пилу і диму). Переконайтеся, що маска підходить. Борода і волосся на обличчі можуть перешкоджати належному приляганню масок. Регулярно міняйте фільтри. **ОДНОРАЗОВІ ПАПЕРОВІ МАСКИ НЕ ПІДХОДЯТЬ.****
- ◆ **Будьте обережні при роботі з технічним феном. Рухайте технічний фен, так як надлишок тепла може призвести до утворення диму, який оператор може бути вдихнути.**

- ◆ Не допускайте попадання їжі і напоїв в робочу зону. Вимийте долоні, руки і обличчя і промийте рот перед вживанням їжі або напоїв. Не паліть, не жуйте жуйку і тютюн в робочій зоні.
- ◆ Приберіть всю видалену фарбу і пил шляхом вологого прибирання підлог. Використовуйте вологу тканину для очищення всіх стін, порогів і будь-якої іншої поверхні, на яку чіпляється фарба або пил. **ЗАБОРОНЕНО ПІДМІТАТИ, ВИДАЛЯТИ ПИЛ НАСУХО АБО ПИЛОСОСОМ.** Для миття і прибирання приміщень використовуйте миючий засіб з високим вмістом фосфатів або тринатріфосфата натрію (TSP).
- ◆ Після закінчення кожного робочого сеансу укладайте уламки фарби і сміття в подвійний пластиковий пакет, заклейте його стрічкою або затисками і утилізуйте належним чином.
- ◆ Знімайте захисний одяг і робоче взуття в робочій зоні, щоб уникнути попадання пилу в іншу частину житла. Періть робочий одяг окремо. Протирайте взуття вологою ганчіркою, яку потім періть разом з робочим одягом. Ретельно вимивайте волосся і тіло водою з милом.

Залишкові ризики.

Під час використання інструмента можуть виникнути додаткові залишкові ризики, які не внесені до попереджень щодо техніки безпеки в цьому посібнику. Ці ризики можуть виникнути як результат неправильного використання, тривалого використання тощо.

Незважаючи на виконання всіх відповідних правил техніки безпеки та використання захисних пристроїв, неможливо уникнути деяких залишкових ризиків. Сюди належать:

- ◆ Травми через контакт з деталями, що рухаються/обертаються.
- ◆ Травми під час заміни деталей, пильних полотен або аксесуарів.
- ◆ Травми через занадто тривале використання інструменту. Під час використання будь-якого інструменту протягом тривалого періоду часу не забувайте робити регулярні перерви.
- ◆ Порушення слуху.
- ◆ Небезпека для здоров'я через вдихання пилу, що утворюється під час використання інструменту (наприклад, при роботі з деревом, особливо з дубом, буком та ДВП)

Написи на інструменті

Наступні піктограми нанесено на інструмент разом з кодом дати:



Увага! Прочитайте всі попередження та інструкції.

Невиконання наведених нижче попереджень та інструкцій може призвести до ураження електричним струмом, пожежі та/або серйозних травм.

Вимкніть інструмент. Перед проведенням будь-яких робіт по технічному обслуговуванню необхідно вилучити батарею з інструмента.

Додаткові інструкції з техніки безпеки для батарей та зарядних пристроїв

Батареї (не входять до комплекту)

- ◆ Ніколи не намагайтесь відкривати батарею.
- ◆ Не занурюйте батарею у воду.
- ◆ Не зберігайте у місцях, де температура може перевищувати 40 °C.
- ◆ Заряджайте лише за температури навколишнього середовища між 10 °C та 40 °C.
- ◆ Заряджайте лише за допомогою зарядного пристрою, що надається з інструментом.
- ◆ При утилізації батарей дотримуйтесь інструкцій, наведених у розділі «Захист навколишнього середовища».



Не заряджайте пошкоджені батареї.

Зарядний пристрій (не надається у комплектації)

- ◆ Використовуйте зарядний пристрій STANLEY FATMAX для зарядки батарей лише того інструменту, з яким він був у комплекті. Інші батареї можуть вибухнути, спричинивши травми та пошкодження.
- ◆ Ніколи не намагайтесь заряджати батареї, що не підлягають зарядці.
- ◆ Негайно замінійте пошкоджений дріт живлення.
- ◆ Уникайте контакту зарядного пристрою з водою.
- ◆ Не відкривайте корпус зарядного пристрою.
- ◆ Не розбирайте зарядний пристрій.



Зарядний пристрій призначений лише для використання в приміщенні.



Прочитайте інструкції цього посібника перед використанням.

Електрична безпека



Зарядний пристрій має подвійну ізоляцію, тому заземлення непотрібне. Завжди перевіряйте відповідність джерела живлення напрузі, що вказана на табличці з паспортними даними. Ніколи не намагайтесь замінити зарядний пристрій звичайним мережним штепселем.

♦ **Якщо силовий кабель пошкоджений, його необхідно замінити у виробника або в офіційному сервісному центрі Stanley FATMAX для уникнення небезпеки.**

якщо вона зберігається у незарядженому стані.

Режими світлодіода зарядного пристрою

	Заряджається: Зелений світлодіод блимає	
	Повністю заряджений: Зелений світлодіод постійно горить	
	Затримка через надмірно високу/низьку температуру батареї: Зелений світлодіод блимає Червоний світлодіод постійно горить	

Компоненти

Цей пристрій оснащено всіма або кількома з указаних нижче компонентів.

1. Перемикач
2. Вентиляційні отвори
3. Сопло
4. Кришка нагрівального барабана
5. Блокування

Використання

Увага! Інструмент повинен працювати з рекомендованою швидкістю. Не перевантажуйте його.

Зарядка батареї (не входить до комплекту) (рис. А)

Необхідно зарядити батарею перед першим використанням, а також коли вона не може забезпечити достатню потужність для виконання завдань, які легко виконувались раніше. Батарея може стати теплою під час зарядки: це нормально та не є показником проблеми.

Увага! Не заряджайте батарею за температури навколишнього середовища нижче 10 °C або вище 40 °C. Рекомендована температура зарядки: приблизно 24 °C. Примітка. Зарядний пристрій не заряджає батарею, якщо її температура нижче приблизно 10 °C або вище 40 °C.

Батарею потрібно залишити у зарядному пристрої, який автоматично почне її заряджати, коли температура батареї підніметься або зменшиться.

Примітка. Щоб забезпечити максимальну продуктивність та тривалість роботи літій-іонного акумулятора, повністю зарядіть його перед першим використанням.

- ♦ Підключіть зарядний пристрій (7) до відповідної розетки перед встановленням акумулятора (6).
- ♦ Зелений індикатор зарядки (7а) буде блимати постійно, вказуючи на те, що процес зарядки розпочався.
- ♦ Після завершення зарядки зелений індикатор зарядки (7а) залишається постійно включеним. Це означає, що акумулятор (6) повністю заряджений та може бути винятий та використовуватися одразу або залишатися в зарядному (7) пристрої.
- ♦ Не тримайте акумулятори розрядженими більше 1 тижня. Термін служби батареї значно зменшується,

Примітка. Сумісний зарядний пристрій (пристрої) не буде заряджати несправний акумулятор. Зарядний пристрій розпізнає несправну акумуляторну батарею та не ввімкне світловий індикатор.

Примітка. Це також може свідчити про проблему з зарядним пристроєм. Якщо виявлено проблему із зарядним пристроєм, віднесіть зарядний пристрій та акумулятор для перевірки в авторизований сервісний центр.

Залишення батареї в зарядному пристрої

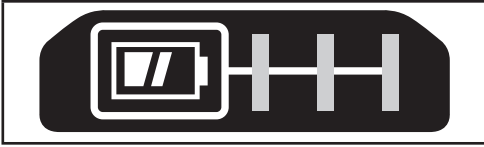
Батареї можна залишити в зарядному пристрої на необмежений час з індикатором, який працює. Зарядний пристрій буде підтримувати акумуляторну батарею у повністю зарядженому стані.

Затримка через надмірно високу/низьку температуру акумулятора

Якщо зарядний пристрій визначає, що батарея є занадто гарячою або занадто холодною, він автоматично вмикає режим температурної затримки, зелений світлодіодний індикатор (7а) буде періодично блимати, а червоний світлодіодний індикатор (7б) буде постійно горіти, припиняючи процес зарядки, доки батарея не досягне відповідної температури. Зарядний пристрій автоматично перемикається у режим зарядки акумулятора. Ця функція забезпечує максимальний термін служби батареї.

Індикатор стану зарядки акумулятора (рис. В)

Акумулятор містить індикатор стану зарядки для швидкого визначення заряду батареї, як показано на рисунку В. Натиснувши кнопку стану зарядки (8а), можна легко переглянути, скільки заряду залишилося в акумуляторі, як показано на рисунку В.



Встановлення акумулятора (не входить до комплекту) в інструмент та його виймання з інструмента

Встановлення акумуляторної батареї (рис. С)

- ◆ Вставте акумулятор (6) в інструмент до упору, щоб почути звук клацання, як показано на рисунку С. Переконайтеся, що акумулятор повністю вставлений і зафіксований в цьому положенні.

Виймання акумуляторної батареї (рис. D)

- ◆ Натисніть кнопку вивільнення батареї (6b), як показано на рисунку D, і витягніть акумулятор (6) з інструмента.

Перед експлуатацією

Увага! Сопло завжди має бути направлено в сторону від вас і сторонніх осіб.

Увага! НЕ кидайте нічого в сопло.

Увага! НЕ перевищуйте 60 хвилин роботи за 2-годинний проміжок часу.

Увімкнення/вимкнення (рис. E, F)

- ◆ Щоб увімкнути живлення на інструменті, перемістіть блокіратор вимикання (5) догори і натисніть тригерний перемикач (1).
- ◆ Відпустіть тригерний перемикач щоб вимкнути інструмент.

Примітка. Перед транспортуванням або зберіганням від'єднайте інструмент від джерела живлення і дайте йому охолонути.

Вірне положення рук (рис. F)

Увага! Щоб знизити ризик серйозних травм, ЗАВЖДИ правильно розташуйте руки, як показано на рисунку.

Увага! Для зменшення ризику серйозних травм ЗАВЖДИ міцно тримайте інструмент на випадок можливої віддачі.

Правильне положення рук полягає в тому, щоб одна рука знаходилась на основній ручці, як показано на рис. F.

Період охолодження (рис. G)

Під час використання сопла і приладдя дуже нагріваються. Перед транспортуванням або зберіганням вимикайте технічний фен, від'єднайте його від джерела живлення і помістіть у положення як на рис. G, і дайте інструменту охолонути не менше 30 хвилин.

Видалення фарби

Увага! Перед використанням інструмента для видалення фарби ознайомтеся з текстом «Важливе повідомлення» в розділі «Важливі інструкції з техніки безпеки».

Увага! Не знімайте фарбу з металевих віконних рам, оскільки температура може пошкодити скло.

- ◆ При видаленні фарби з інших віконних рам використовуйте захисне сопло.
- ◆ Щоб уникнути займання поверхні не тримайте інструмент спрямованим в одну точку занадто довго.
- ◆ Уникайте попадання фарби на скребок, так як він може спалахнути. При необхідності обережно видаліть залишки фарби зі скребка за допомогою ножа.
- ◆ Встановіть відповідну насадку.
- ◆ Щоб увімкнути живлення на інструменті, перемістіть блокіратор вимикання (5) догори і натисніть тригерний перемикач (1).
- ◆ Направте гаряче повітря на фарбу, що підлягає видаленню. Найкращі результати досягаються, коли технічний фен переміщається повільно, але ПОСТІЙНО, з одного боку в інший для рівномірного розподілу тепла. НЕ ЗАТРИМУЙТЕСЬ І НЕ ЗУПИНІЙТЕСЬ НІ НА ХВИЛИНУ.
- ◆ Коли фарба розм'якшується, зніміть її за допомогою скребка.

Примітка. Уламки і дрібні частинки знятої фарби можуть займатися і вивудатися через отвори і тріщини на поверхні, що очищається.

Приладдя

Увага! Через те, що інші аксесуари, що не рекомендовані компанією STANLEY FATMAX, не були перевірені з цим продуктом, використання таких аксесуарів з цим інструментом може бути небезпечним. Щоб зменшити ризик отримання травм, з цим виробом слід використовувати тільки аксесуари, рекомендовані компанією STANLEY FATMAX. Рекомендовані насадки, які можна використовувати з вашим інструментом, доступні за додаткову плату у місцевого дилера або в офіційному сервісному центрі.

Цей інструмент поставляється з набором приладдя для різних сфер застосування.

Сопла відбивача або сопло гачка (8) (рис. H)

Термоусадковий рукав, що відбиває тепло навколо предмета. Попереджає надлишок тепла, горіння або пошкодження поверхні за заготовкою.

Сопло поверхні у вигляді риб'ячого хвоста 75 мм (9) (рис. I)

Сушіння, видалення фарби, вінілу або лінолеуму, розморожування (тепло поширюється на більшу площу).

Технічне обслуговування

Ваш інструмент виробництва компанії BLACKDECKER призначений для роботи протягом тривалого часу з мінімальним обслуговуванням. Тривала задовільна робота приладу залежить від належного обслуговування приладу та регулярного його очищення.

Зарядний пристрій не вимагає технічного обслуговування, потрібно лише виконувати регулярне очищення.

Увага! Перед проведенням будь-яких робіт по технічному обслуговуванню необхідно вилучити батарею з інструмента. Витягніть зарядний пристрій з розетки перед очищенням.

- ◆ Регулярно очищуйте вентиляційні отвори інструмента та зарядного пристрою, використовуючи м'яку щітку або суху тканину.
- ◆ Регулярно очищайте корпус мотору, використовуючи вологу ганчірку.
- ◆ Не використовуйте абразивні очищувачі та засоби, що містять розчинники.

Захист навколишнього середовища



Роздільний збір. Пристрої та батареї, позначені цим символом, не можна викидати зі звичайним побутовим сміттям.

Пристрої та акумулятори містять матеріали, які можна відновити та переробити, що зменшить потребу у сировині. Будь ласка, віддавайте електричні інструменти та акумулятори на переробку відповідно до місцевих постанов. Більш детальну інформацію можна отримати на сайті www.2helpU.com

Технічні характеристики

SFMC530 тип 1		
Напруга	V _{ном. струм}	18
Вхідна потужність	Вт	360
Діапазон температур	°C	510
Маса	кг	0,53

Цей інструмент постачається без зарядного пристрою, хоча може використовуватись із наступними зарядними пристроями з таблиці.

Зарядний пристрій	SFMCB14** тип 1	
Вхідна напруга	V _{ном. струм}	230
Вихідна напруга	V _{ном. струм}	18
Струм	A	4

Цей інструмент постачається без зарядного пристрою, хоча може використовуватись із наступними зарядними пристроями з таблиці.

Батарея		SFMCB201	SFMCB202	SFMCB204	SFMCB206
Напруга	V _{ном. струм}	18	18	18	18
Ємність	Ам-пер-го-дин	1,5	2,0	4,0	6,0
Тип		Літій-і-онна	Літій-і-онна	Літій-і-онна	Літій-і-онна
Приблизний час заряд-жання	хв.	22	30	60	90

Увага! Зарядний пристрій STANLEY FATMAX можна використовувати тільки для зарядки літій-іонних батарей STANLEY FATMAX.

Гарантія

Компанія STANLEY FATMAX впевнена в якості своєї продукції та пропонує споживачам гарантію тривалістю 12 місяців з дати покупки. Ця гарантія доповнює і жодним чином не обмежує ваші законні права. Ця гарантія є чинною на території країн-членів Європейського Союзу та в європейській зоні вільної торгівлі.

Позив за гарантією повинен відповідати умовам компанії Stanley FATMAX, при цьому вам необхідно буде надати доказ покупки продавцю або спеціалісту офіційного сервісного центру. Умови гарантії компанії STANLEY FATMAX на 1 рік та місцезнаходження найближчого сервісного центру можна дізнатися в інтернеті на сайті www.2helpU.com або звернутися до місцевого представництва компанії STANLEY FATMAX за адресою, вказаною у цьому керівництві.

Відвідайте наш сайт www.stanley.eu/3, щоб зареєструвати свій новий продукт STANLEY FATMAX та отримувати інформацію про нові продукти та спеціальні пропозиції.

STANLEY
FATMAX
ГАРАНТІЙНИЙ ТАЛОН
3 РОКИ
ГАРАНТІЇ

1. Вітаємо Вас з покупкою високоякісного виробу Stanley FATMAX і висловлюємо вдячність за Ваш вибір.
2. При покупці виробу вимагайте перевірки його комплектності і справності у Вашій присутності, інструкцію з експлуатації та заповнений гарантійний талон українською мовою. В гарантійному талоні повинні бути внесені: модель, дата продажу, серійний номер, дата виробництва інструменту, назва, печатка і підпис торгової організації. За відсутності у Вас правильно заповненого гарантійного талону, а також при невідповідності зазначених у ньому даних ми будемо змушені відхилити Ваші претензії щодо якості даного виробу.
3. Щоб уникнути непорозумінь, переконливо просимо Вас перед початком роботи з виробом уважно ознайомитися з інструкцією з його експлуатації. Правовою основою справжніх гарантійних умов є чинне законодавство. Гарантійний термін на даний виріб складає 36 місяців і обчислюється з дня продажу. У разі усунення недоліків виробу, гарантійний строк продовжується на період його перебування в ремонті. Термін служби виробу становить 5 років з дня продажу.
4. У разі виникнення будь-яких проблем у процесі експлуатації виробу рекомендуємо Вам звертатися тільки в уповноважені сервісні центри Stanley FATMAX, адреси та телефони яких Ви зможете знайти в гарантійному талоні, на сайті www.2helpU.com або дізнатися в магазині. Наші сервісні станції - це не тільки кваліфікований ремонт, але і широкий асортимент запчастин і аксесуарів.
5. Виробник рекомендує проводити періодичну перевірку і технічне обслуговування виробу в уповноважених сервісних центрах.
6. Наші гарантійні зобов'язання поширюються тільки на несправності, виявлені протягом гарантійного терміну і викликані дефектами виробництва та \ або матеріалів.
7. Гарантійні умови не поширюються на несправності виробу, що виникли в результаті:
 - 7.1. Недотримання користувачем приписів інструкції з експлуатації виробу, застосування виробу не за призначенням, неправильного зберігання, використання приладдя, витратних матеріалів і запчастин, що не передбачені виробником.
 - 7.2. Механічного пошкодження (відколю, тріщини і руйнування) внутрішніх і зовнішніх деталей виробу, основних і допоміжних рукояток, мережевого кабелю, що викликані зовнішнім ударним або будь-яким іншим впливом
 - 7.3. Потраплення у вентиляційні отвори та проникнення всередину виробу сторонніх предметів, матеріалів або речовин, що не є відходами, які супроводжують застосування виробу за призначенням, такими як: стружка, тирса, пісок, та ін.
 - 7.4. Впливу на виріб несприятливих атмосферних і інших зовнішніх факторів, таких як дощ, сніг, підвищена вологість, нагрівання, агресивне середовище, невідповідність параметрів електромережі, що зазначені на інструменті.
 - 7.5. Стихийного лиха. Пошкодження або втрати виробу, що пов'язані з непередбаченими лихами, стихійними явищами, у тому числі внаслідок дії непереборної сили (пожежа, блискавка, потоп і інші природні явища), а також внаслідок перепадів напруги в електромережі та іншими причинами, які знаходяться поза контролем виробника.
8. Гарантійні умови не поширюються:
 - 8.1. На інструменти, що піддавалися розкриттю, ремонту або модифікації поза уповноваженим сервісним центром.
 - 8.2. На деталі, вузли та матеріали, що мають сліди природного зносу, такі як: приводні ремені і колеса, вугільні щітки, мастило, підшипники, зубчасті зчеплення редукторів, гумові ущільнення, сальники, направляючі ролики, муфти, вимикачі, бойки, штовхачі, стволи тощо.
 - 8.3. На змінні частини: патрони, цанги, затискові гайки і фланці, фільтри, ножі, шліфувальні підшови, ланцюги, зірочки, пильні шини, захисні кожухи, пилки, абразиви, пильні і абразивні диски, фрези, свердла, бури тощо
 - 8.4. На несправності, що виникли в результаті перевантаження інструменту (як механічного, так і електричного), що спричинили вихід з ладу одночасно двох і більше деталей і вузлів, таких як: ротора і статора, обох обмоток статора, веденої і ведучої шестерень редуктора або інших вузлів і деталей. До безумовних ознак перевантаження виробу відносяться, крім інших: поява кольорів мнливості, деформація або оплавлення деталей і вузлів виробу, потемніння або обуглювання ізоляції проводів електродвигуна під впливом високої температури.

Товар отриманий в справному стані, без видимих ушкоджень, в повній комплектації, перевірений у моїй присутності, претензій щодо якості товару не маю. З умовами гарантійного обслуговування ознайомлений і згоден.

П. І. Б. та підпис власника _____

Шановні клієнти, наша мережа авторизованих сервісних центрів постійно розширюється. Актуальну інформацію про обслуговування в місті, що цікавить вас, ви можете дізнатися на сайті

www.2helpU.com

Редакція ВК/12-12-2018

Інформація про інструмент

Найменування інструменту	
Модель	
Найменування продавця	
Дата продажу	

М.П.
Продавця

Серійний номер/Дата виробництва

Інструмент	
Зарядний пристрій	
Акумулятор 1	
Акумулятор 2	

На сайті www.2helpU.com доступні наступні функції:

- Список авторизованих сервісних центрів
- Зручний пошук найближчого сервісного центру
- Керівництво з експлуатації
- Технічні характеристики
- Список деталей і запасних частин
- Схема складання інструменту



Також дану інформацію ви можете отримати,
зателефонувавши за номером:
0 (800) 211 521 в Україні

ВІДМІТКА ПРО ПРОВЕДЕННЯ СЕРВІСНОГО ОБСЛУГОВУВАННЯ

№1	№2	№3	№4
№ замовлення	№ замовлення	№ замовлення	№ замовлення
Дата прийому	Дата прийому	Дата прийому	Дата прийому
Дата ремонту	Дата ремонту	Дата ремонту	Дата ремонту
Печатка і підпис сервісного центру	Печатка і підпис сервісного центру	Печатка і підпис сервісного центру	Печатка і підпис сервісного центру

