



**Unleash your full gaming potential with the 240Hz G2471HS Red Eagle guaranteeing 0.3ms MPRT**

Gain the competitive edge you need to unlock your full gaming potential with the 24" G2471HS monitor with FHD (1920x1080) resolution. Featuring an ultra-fast 0.3ms MPRT and a 240Hz refresh rate, this monitor ensures smooth gameplay. Compatible with NVIDIA G-SYNC so you can make split second decisions and forget about ghosting effects or smearing issues. The ability to adjust brightness and the dark shades with the Black Tuner delivers greater viewing performance in shadowed areas and the IPS panel technology guarantees superb image quality.

Available also with height adjustable stand : [G-Master GB2471HS-B1 \(1920x1080\)](#) and [G-Master GB2471HSU-B1 \(1920x1080\)](#)



Fast IPS

The lightning-fast IPS panel with Full HD 1920x1080 resolution delivers ultra-smooth gameplay and vibrant, true-to-life colours with exceptional accuracy and wide viewing angles.



240Hz

With 240Hz refresh rate the force is with you! Make split second decisions and be sure the image on the screen is always sharp and smooth.

## 01 DISPLAY CHARACTERISTICS

|                      |  |
|----------------------|--|
| Diagonal             | 23.8", 60.5cm  |
| Panel                | Fast IPS, haze haze 25%  |
| Native resolution    | 1920 x 1080 @240Hz (2.1 megapixel full HD, DisplayPort)                                  |
| Aspect ratio         | 16:9   |
| Panel brightness     | 350 cd/m <sup>2</sup>  |
| Static contrast      | 1000:1   |
| Advanced contrast    | 80M:1  |
| Response time (MPRT) | 0.3ms  |
| Viewing zone         | horizontal/vertical: horizontal°/vertical horizontal°, right/left: 0°/0°, up/down: 0°/0° |
| Colour support       | 16.7mln 8bit   |
| Horizontal Sync      | 30 - 285kHz  |
| Viewable area W x H  | 527 x 296.5mm, 20,7 x 11,7"  |
| Pixel pitch          | 0.275mm  |
| Colour               | matte, black   |

## 02 INTERFACES / CONNECTORS / CONTROLS

|                     |   |
|---------------------|---|
| Signal input        | HDMI x2 (v.2.0, max. 1920 x 1080 @240Hz)<br>DisplayPort x1 (v.1.2, max. 1920 x 1080 @240Hz) |
| HDCP                | yes   |
| Headphone connector | yes   |

## 03 FEATURES

|                       |  |
|-----------------------|--|
| Blue light reducer    | yes  |
| Flicker free          | yes  |
| Adaptive Sync support | G-SYNC - 1920 x 1080 @48-240Hz, DisplayPort Only   |
| Extra                 | i-Style Colour   |
| HDR                   | Yes, HDR10 Ready   |
| OSD languages         | EN, DE, FR, ES, IT, PT, RU, JP, CZ, NL, PL   |
| Control buttons       | power switch, joystick, menu (center), up / signal select, down / shortcut, left / volume -, right / volume +  |
| User controls         | picture adjust (contrast, brightness, OverDrive, HDR, Adaptive Sync, night mode, blue light reducer, Motion Blur Reducer, gamma), input select (input source, auto/manual, DP, HDMI1, HDMI2), audio adjust (volume, mute), store user settings (user modes), colour settings (6-axis, colour temperature, user preset, black tuner), image adjust (i-Style Colour, X-Res Technology, sharpness, HDMI range, Direct Drive Mode, video mode adjust), language, OSD setup menu (OSD H. position, OSD V. position, OSD Time, Opening Logo, Power LED, DDC/ DI Control, USB charge), display information, reset (reset all) |
| Speakers              | 2 x 2W   |
| Convenience           | Kensington-lock™ prepared, DDC/CI, DDC2B, Mac OSX  |

## 04 MECHANICAL

|                              |                 |
|------------------------------|-----------------|
| Display position adjustments | tilt            |
| Tilt angle                   | 21° up; 3° down |
| VESA mounting                | 100 x 100mm     |
| Cable management system      | yes             |

## 05 ACCESSORIES INCLUDED

**Cables** power (1.8m), HDMI (1.8m), DP (1.8m)

**Other** quick start guide, safety guide

## 06 POWER MANAGEMENT

**Power supply unit** internal

**Power supply** AC 100 - 240V, 50/60Hz

**Power usage** 18W typical, 0.5W stand by, 0.3W off mode

## 07 SUSTAINABILITY

**Regulations** CE, TÜV-Bauart, EAC, PSE, RoHS support, ErP, WEEE, VCCI, REACH, UKCA

**Energy efficiency class (Regulation (EU) 2017/1369)** E

**REACH SVHC** above 0.1%: Lead

## 08 DIMENSIONS / WEIGHT

**Product dimensions W x H x D** 540 x 395 x 192.5mm

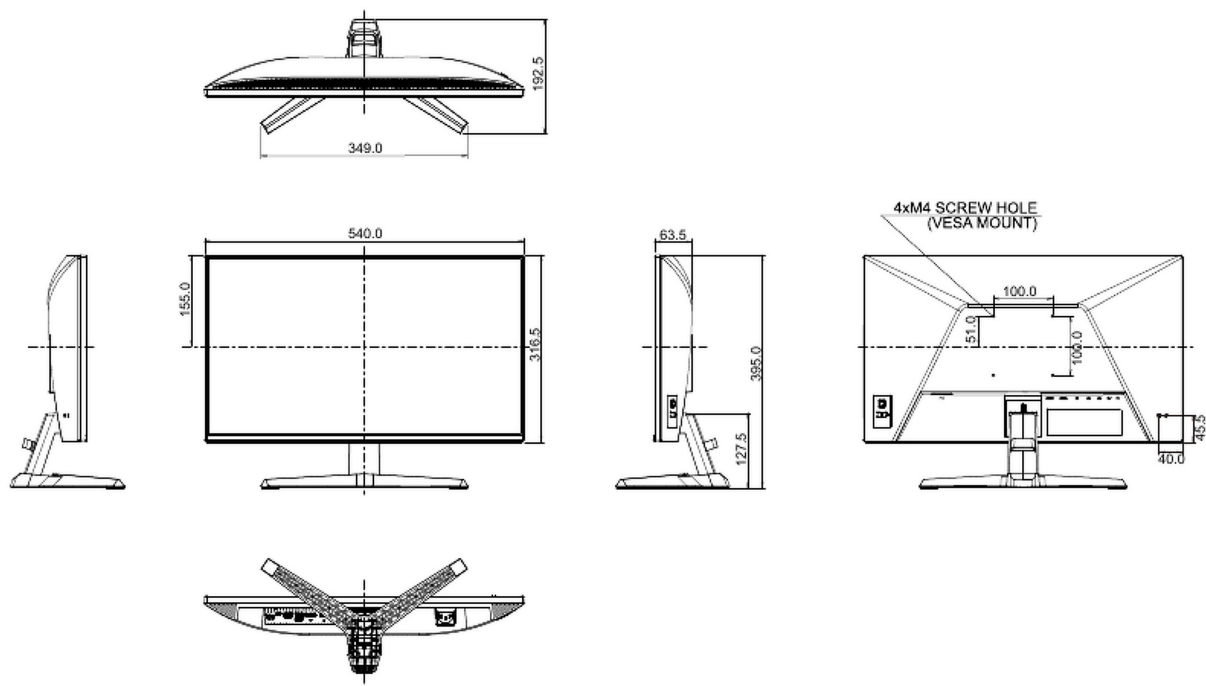
**Box dimensions W x H x D** 610 x 126 x 413mm

**Weight (without box)** 3.4kg

**Weight (without stand)** 3.1kg

**Weight (with box)** 5.4kg

**EAN code** 4948570126415



*All trademarks and registered trademarks acknowledged. E & O E. Specification subject to change without notice. All LCD's comply with ISO-9241-307:2008 in connection with pixel defects.*

© IYAMA CORPORATION. ALL RIGHTS RESERVED