

TrackMix PoE

TrackMix PoE with 4K 8MP Ultra HD resolution captures images with great details. Discover more when zooming in. It can distinguish people, vehicles and pets from other objects, providing more accurate alerts. Plus, you can talk back via the camera's built-in mic and speaker.

1. Specs



1	Infrared LED
2	Lens
3	Mic
4	Daylight Sensor
5	Spotlight



1	Micro SD Card Slot
2	Reset Button

2. Setup and Install

Set up the Camera

What's in the Box

Note: The package content may vary and update with different version and platforms, please take the below information only for a reference. And the actual package content are subject to the latest information on the product selling page.

TrackMix PoE



Reolink TrackMix
PoE*1



1m Network
Cable*1



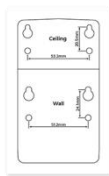
Quick Start Guide*1



Surveillance Sticker*1



Pack of Screws*1



Mounting Template *1

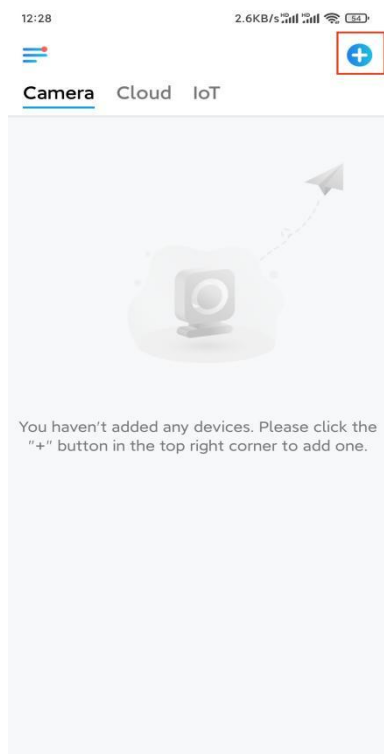


Waterproof Lid *1

Set up the Camera on the App

Here is a guide on how to initially set up the camera via Reolink App.

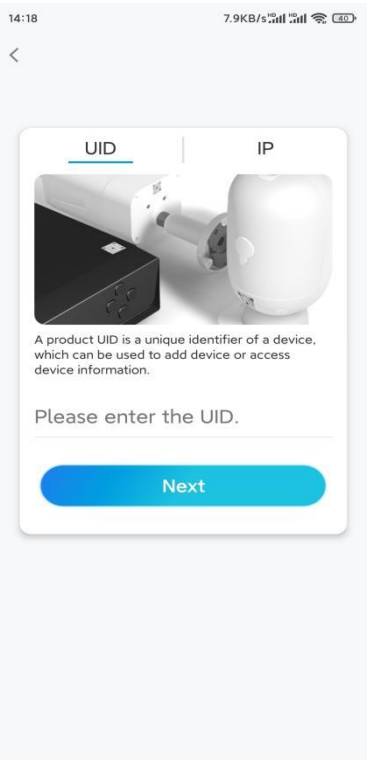
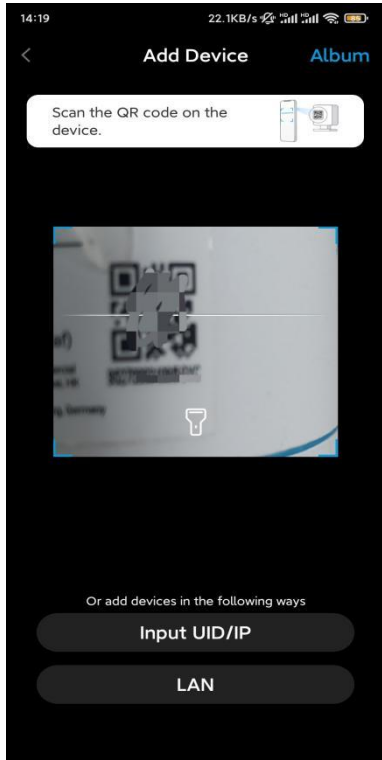
Step 1. Tap the icon  in the top right corner.



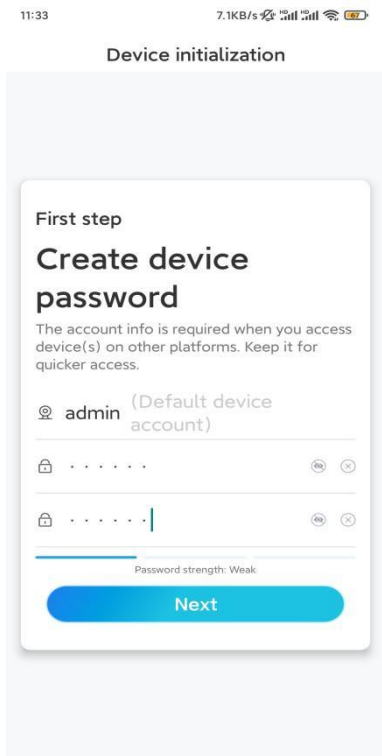
Note: If you've enabled the **Add Device Automatically** option on the App's **Settings** page, you can tap this device on the **Devices** page and turn to **Step 3** directly.

Step 2. Scan the QR code on the back of the camera. You may tap **Light** to enable a flashlight when setting up the camera in a dark environment.

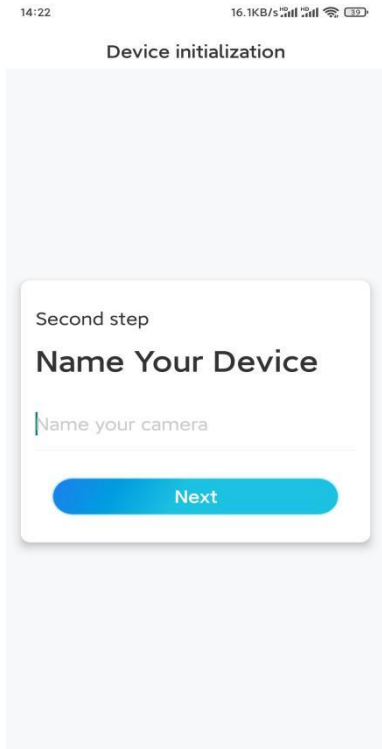
If the phone doesn't respond, please tap **Input UID/IP** and then manually type in the UID (16-digit characters under the QR code of the camera). Then tap **Next**.



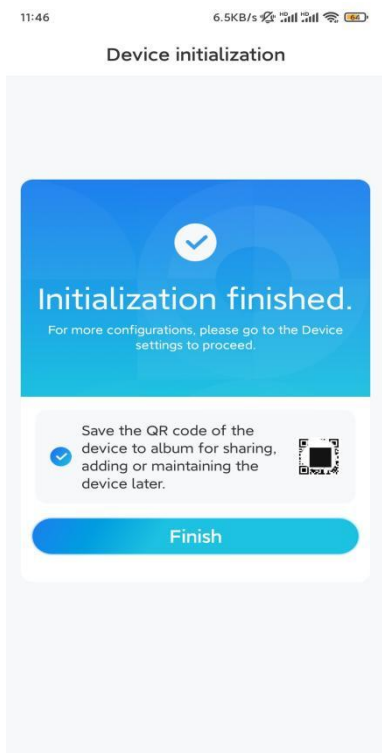
Step 3. Create a login password for your camera. Then tap **Next**.



Step 4. Name your camera. Then tap **Next**.



Step 5. Initialization finished! You can start live viewing now.



Install the Camera

Following the excitement of setting up your TrackMix, you will face up the

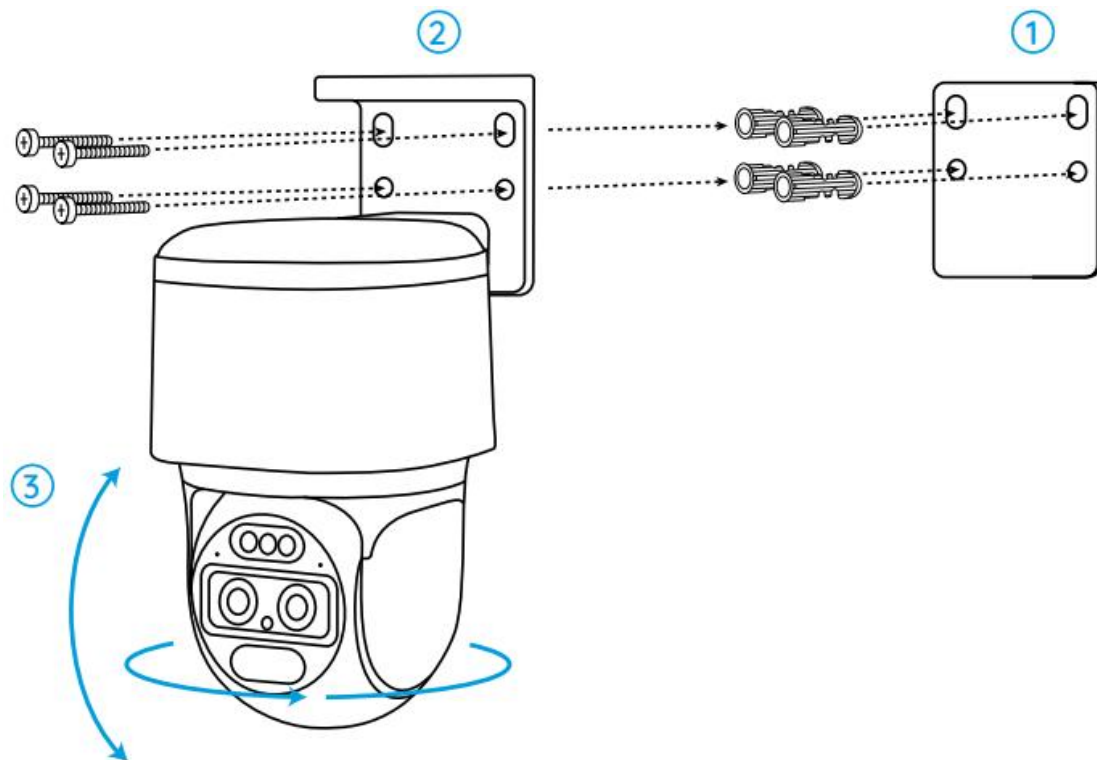
installation of the camera. So we are here to help you with guides on how to mount the TrackMix camera on the wall or the ceiling. It's up to you.

Mount the Camera on the Wall

Step 1. Stick the mounting hole template on the wall and drill holes correspondingly.

Step 2. Screw the mount base to the wall using the screws included in the package.

Step 3. You may control the camera to pan and tilt via Reolink App or Client to adjust the camera's direction.



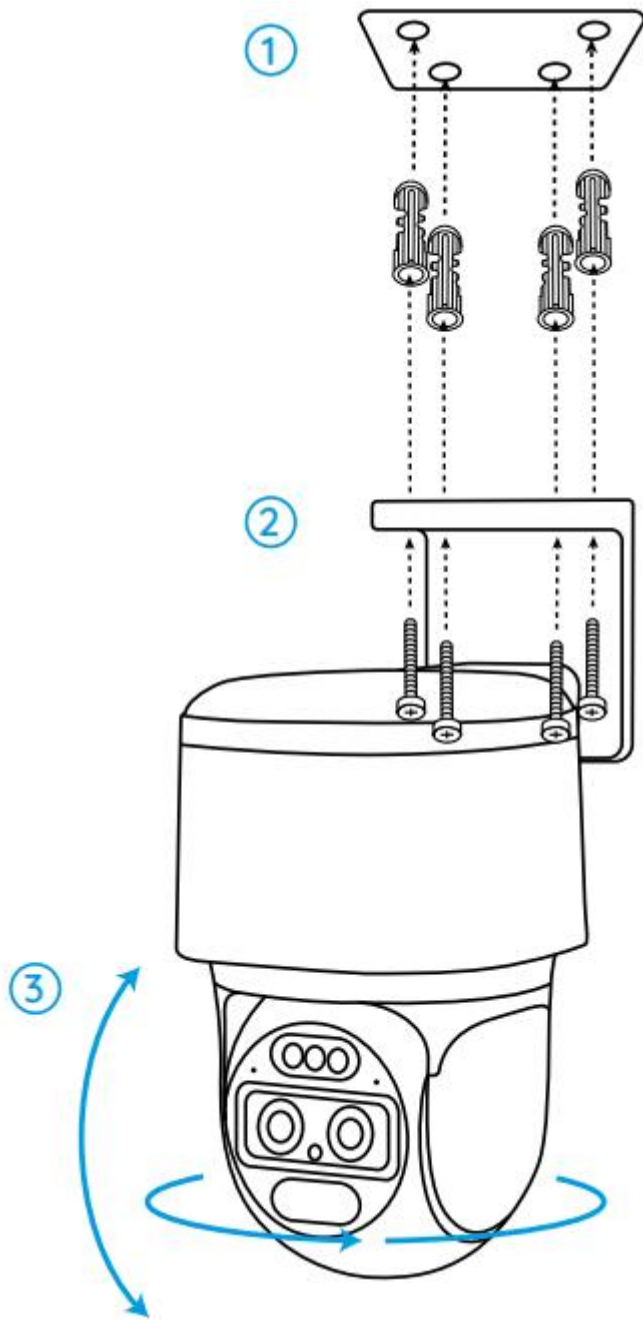
Note: If you install the camera on a pretty hard surface such as drywall, use the drywall anchors included in the package.

Mount the Camera on the Ceiling

Step 1. Stick the mounting hole template on the ceiling and drill holes correspondingly.

Step 2. Install the mount base to the wall using the screws included in the package.

Step 3. Adjust the camera's direction by controlling the camera to pan and tilt via the Reolink App or Client.



Note: Use the drywall anchors included in the package if needed.